

HEATER

# Neco Series One Centrifugal Heater Installation And Operating Instructions

MODEL # CHN - \_ \_ - \_ \_ - D (HIGH)

MODEL # CLN - \_ \_ - \_ \_ - D (LOW)

## Owner's Manual

MANUAL # PNEG-583  
Version 2            2/99



**SEREIS ONE HEATER**  
**CENTRIFUGAL HEATER CHECK LIST**

- \_\_\_\_\_ 1. All wire connections
- \_\_\_\_\_ 2. Spark plug gap - .125
- \_\_\_\_\_ 3. Pipe train tightness and gas leaks
- \_\_\_\_\_ 4. Flame sensor tight
- \_\_\_\_\_ 5. Fuse in place, extra fuse provided
- \_\_\_\_\_ 6. Flame out light
- \_\_\_\_\_ 7. Indicator light
- \_\_\_\_\_ 8. Pressure gauge
- \_\_\_\_\_ 9. Regulator adjusted
- \_\_\_\_\_ 10. Shut off valve operates correctly
- \_\_\_\_\_ 11. Vapor high limit
- \_\_\_\_\_ 12. Unit cycles ON to OFF
- \_\_\_\_\_ 13. Heat rise even across transition
- \_\_\_\_\_ 14. Unit cycles HI to LO (HI-LO only)
- \_\_\_\_\_ 15. Mod valve holds temp within 1 degree (mod units only)
- \_\_\_\_\_ 16. All decals and serial number tag
- \_\_\_\_\_ 17. Aesthetic appearance
- \_\_\_\_\_ 18. Manual

Tester Signature \_\_\_\_\_

Date \_\_\_\_\_

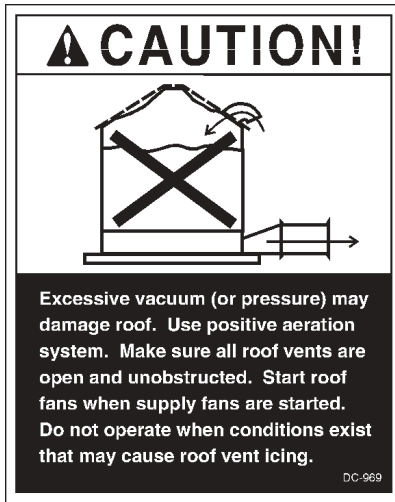
# SEREIS ONE HEATER

## CENTRIFUGAL HEATER OPERATING INSTRUCTIONS

### TABLE OF CONTENTS

Warranty.....	4
Roof Warning, Operation & Safety.....	5
Safety Alert Decals.....	6
Centrifugal Heater Installation.....	7
Fuel Connection.....	7
Heater Electrical Installation (230V Fans).....	8
Heater Electrical Installation (460V Fans).....	9
Plenum Thermostat Mounting.....	10
Transition Hi-Limit Installation.....	10
Temperature Heater Specifications.....	11
Heater Dimensional Specifications.....	11
Centrifugal Heater Operating Procedure.....	12
Standard Heater Operation.....	12
Hi-Lo Heater Operation.....	12
BTU's Per Gauge Pressure (PSI) Propane Models (Approximate).....	13
BTU's Per Gauge Pressure (PSI) Natural Gas Models (Approximate).....	14
Adjusting The Vaporizer.....	15
Centrifugal Heater Wiring Diagram.....	16
Second Heater Installation.....	17
Notes.....	18

**Roof Damage Warning And Disclaimer**



GSI DOES NOT WARRANT ANY ROOF DAMAGE CAUSED BY EXCESSIVE VACUUM OR INTERNAL PRESSURE FROM FANS OR OTHER AIR MOVING SYSTEMS. ADEQUATE VENTILATION AND/OR "MAKEUP AIR" DEVICES SHOULD BE PROVIDED FOR ALL POWERED AIR HANDLING SYSTEMS. GSI DOES NOT RECOMMEND THE USE OF DOWNWARD FLOW SYSTEMS (SUCTION). SEVERE ROOF DAMAGE CAN RESULT FROM ANY BLOCKAGE OF AIR PASSAGES. RUNNING FANS DURING HIGH HUMIDITY/COLD WEATHER CONDITIONS CAN CAUSE AIR EXHAUST OR INTAKE PORTS

**HEATER OPERATION**

Thank you for choosing a Neco product. It is designed to give excellent performance and service for many years.

This manual describes the operation of the Neco Series One Centrifugal Heater. It is designed for low to medium temperature grain conditioning, and is ideal for the aeration of rice, popcorn or other select grains.

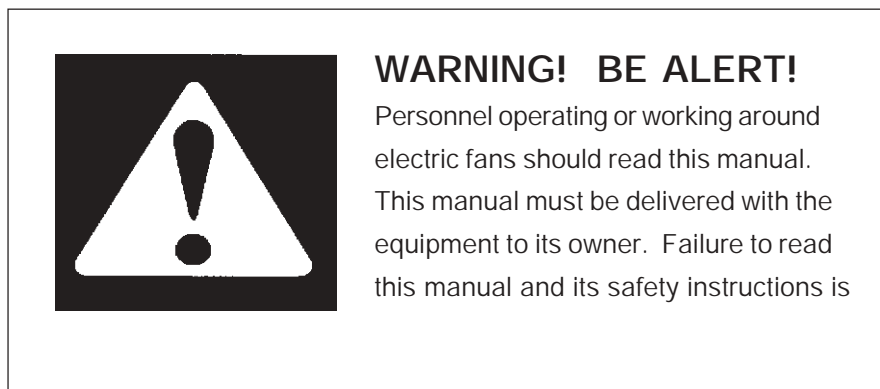
It is available in both propane vapor and natural gas models.

The principal concern of Neco is your safety and the safety of others associated with grain handling equipment.

This manual is written to help you understand safe operating procedures, and some of the problems that may be encountered by the operator or other personnel.

As owner and/or operator, it is your responsibility to know what requirements, hazards and precautions exist, and to inform all personnel associated with the equipment, or who are in the dryer area. Avoid any alterations to the equipment. Such alterations may produce a very dangerous situation, where serious injury or death may occur.

**SAFETY ALERT SYMBOL**



The symbol shown is used to call your attention to instructions concerning your personal safety. Watch for this symbol; it points out important safety precautions. It means "ATTENTION", "WARNING", "CAUTION", and "DANGER". Read the message and be cautious to the possibility of personal injury or death.



**⚠ WARNING**

Stay clear of rotating blade. Blade could start automatically. Can cause serious injury. Disconnect power before servicing.

DC-1225



**⚠ WARNING**

Flame and pressure beyond door. Do not operate with service door removed. Keep head and hands clear. Can cause serious injury.

DC-1227

**⚠ DANGER!**



**High voltage.  
Will cause serious injury or death.  
Lockout power before servicing.**

DC-1224

**⚠ DANGER**



Rotating flighting can kill or dismember.

Flowing material can trap and suffocate.

Crusted material can collapse and suffocate.

**Keep clear of all augers.  
DO NOT ENTER this bin!**

If you must enter this bin:

1. Shut off and lock out all power.
2. Use safety harness and safety line.
3. Station another person outside the bin.
4. Avoid the center of the bin.
5. Wear proper breathing equipment or respirator.

**Failure to heed these warnings will result in serious injury or death.**

DC-552

IMPORTANT: Safety decals should be read and understood by all people in the grain handling area. The bottom right decal should be present on the inside bin door cover and the roof manway cover. If a decal is damaged or is missing contact:

## SAFETY FIRST

### General Safety Statements

The GSI Group Inc's Principal concern is your safety and the safety of others associated with grain handling equipment. We want to keep you as a customer. This manual is to help you understand safe operating procedures and some problems which may be encountered by the operator and other personnel.

As owner and/or operator, it is your responsibility to know what requirements, hazards and precautions exist and inform all personnel associated with, or in the area of the Heater System. Safety precautions may be required from the personnel. Avoid any alteration to the equipment. Such alterations may produce a very dangerous situation, where serious injury or death may occur.



This is the safety alert symbol. It is used to alert you to potential personal injury hazards. Obey all safety messages that follow this symbol to avoid possible injury or death.



# DANGER

DANGER indicates an imminently hazardous situation which, if not avoided, will result in death or serious injury



# WARNING

WARNING indicates a potentially hazardous situation which, if not avoided, could result in death or serious injury.



# CAUTION

CAUTION indicates a potentially hazardous situation which, if not avoided, may result in minor or moderate injury.

# CAUTION

CAUTION used without the safety alert symbol indicates a potentially hazardous situation which, if not avoided, may result in property damage.



## BE ALERT!

### Danger!

Personnel operating or working around electrical equipment should read this manual.

This manual must be delivered with equipment to its owner. Failure to read this manual and its safety instructions is a misuse of the equipment.

This product has sharp edges! These sharp edges may cause serious injury. To avoid injury handle sharp edges with caution and use proper protective clothing and equipment at all times.

The GSI Group Inc. recommends that you contact your local power company and have a representative review your installation so your wiring will be compatible with their system and so that you will have adequate power supplied to your unit.

The Chain Disk drive unit weights 159 lbs (72kg). All precautions should be taken when lifting and/or moving. Use at least two men when moving the unit anywhere.

The safety pages that follow are to show you where you can find the safety decals. The photographs show exactly where the decals should be. If a decal has been damaged or is missing contact The GSI Group, Inc. for a free replacement.

**FUEL CONNECTION**



Important! Do not use propane tanks which have previously been used for ammonia unless they have been purged according to procedures of the National L. P. Association.

Be sure fuel supply system complies with all local codes for L. P. gas installations.

**LIQUID PROPANE MODELS**

1. LP models are designed to run on liquid propane, with liquid draw from the propane tank. Avoid using propane supply tanks that have been used for vapor draw for long periods of time. When using liquid draw systems any moisture that may be present in tank or lines may freeze when system is used in cold weather. To avoid this, the usual precaution is to purge the system with methanol.
2. Run proper size line (see specifications) to liquid pipe train on heater. Have a qualified gas service man inspect installation to be sure that everything is installed according to local codes and ordinances.
3. After installation is complete check all connections for leaks with liquid detergent or comparable. Wear rubber gloves and eye protection. Avoid contact with liquid propane. **DO NOT USE FLAME FOR LEAK TESTING.**

**PROPANE VAPOR MODELS**

1. Propane vapor models are designed to run directly off of supply tank or from a separate external vaporizer.

2. Run proper size line (see specifications) to pipe train on heater. Have a qualified gas service person inspect installation to be sure everything installed according to local codes and ordinances.
3. After installation is complete check all connections for leaks. **DO NOT USE FLAME FOR LEAK TESTING.** (see above for other precautions.)

**NATURAL GAS MODELS**

1. Natural gas models are similar to vapor models, but have a larger orifice to accommodate lower pressure sometimes found with natural gas.
2. Run proper size line (see specifications) to pipe train on heater. Have a qualified gas service man inspect installation to be sure everything is installed according to local codes and ordinances.
3. After installation is complete check all connections for leaks. **DO NOT USE FLAME FOR LEAK TESTING.** (See above for other precautions.)

## Power Supply

An adequate power supply and proper wiring are important factors for maximum performance and long life of the dryer. Electrical service must be adequate enough to prevent low voltage damage to motors and control circuits. **In 220V 1 ph and 220V 3 ph systems a separate neutral wire is required for the 120V heater circuit, and should be connected to terminal #1 in the master heater. Do not run in conduit with motor power lines.**

## Machine To Earth Grounding

It is very important that a Machine To Earth ground be installed at the worksite. The complete unit must be wired and grounded to all local applicable codes. The proper grounding will provide safety to the operators and ensure long life to all circuit boards.

## Transformer and Wiring Voltage Drop

It is necessary to know the distance from the unit to the available transformer, and the horsepower of your fan unit. Advise the service representative of your local power supplier that an additional load will be placed on the line. Each fan motor should be wired through a fused or circuit breaker disconnect switch. Check the KVA rating of the transformers, considering horsepower and load. The power supply wiring, main switch equipment and transformers must provide adequate motor starting and operating voltage. Voltage drop during startup should not exceed 14% of normal voltage, and after motor is running at full speed it should be within 8% of normal voltage. Check Electrical Load Information for HP ratings and maximum amp loads to properly size wire and fusing elements. Standard electrical safety practices and codes should be used. (Refer to National Electrical Code)



HEATER ELECTRICAL INSTALLATION (230V FANS)

1. Connect power cord to fan control box.
2. Make field connections of wires in fan box as shown in Figure 1. IMPORTANT! HEATER MUST BE INTERLOCKED WITH FAN FOR SAFE OPERATION.
3. Connect deluxe thermostat control (optional) in heater box as shown in Figure 1. IMPORTANT! THERMOSTAT MUST BE INSTALLED FOR SAFE OPERATION.

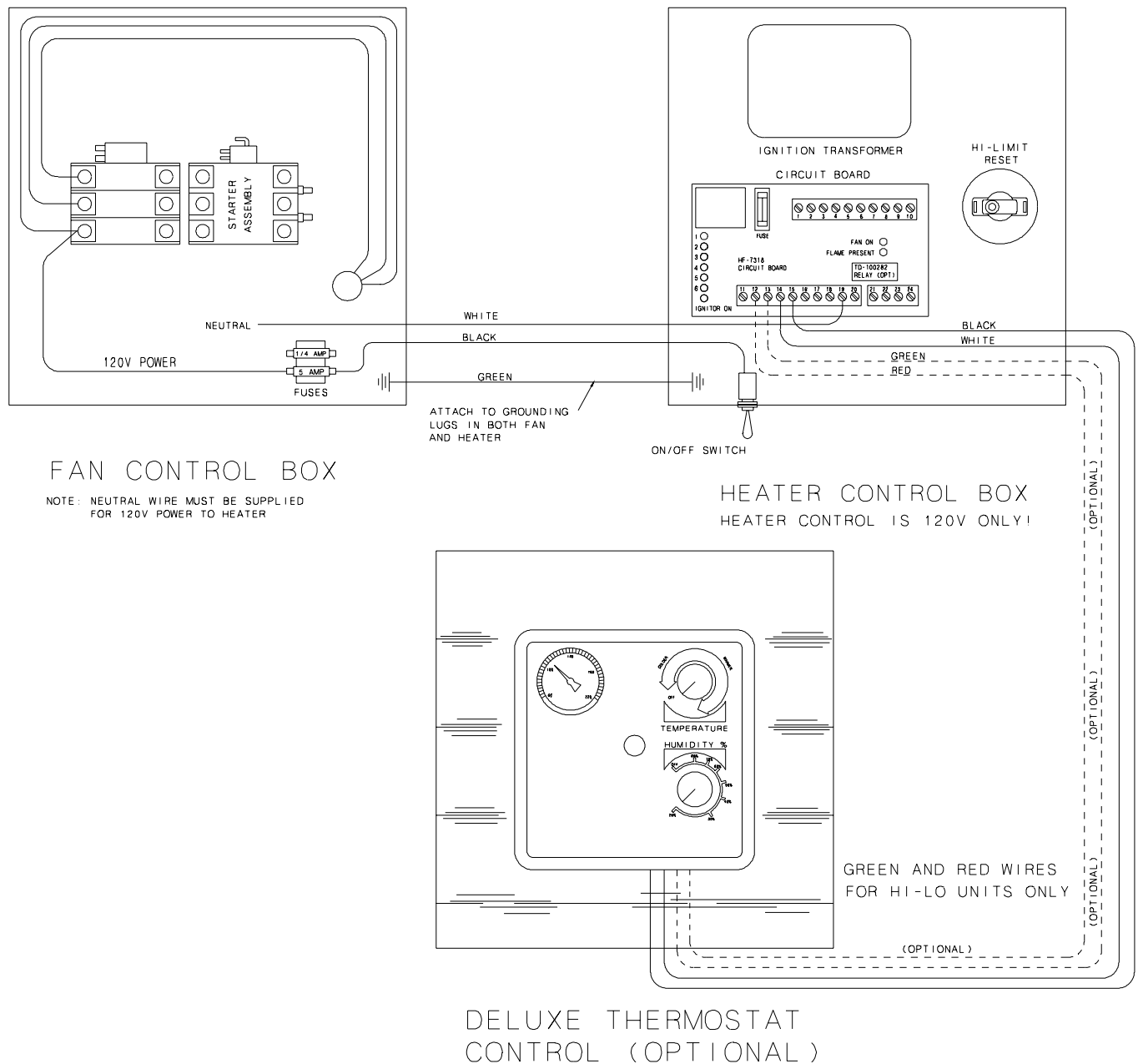


Figure 1: 230 volt fan control box.

HEATER ELECTRICAL INSTALLATION (460V FANS)

1. Connect power cord to fan control box.
2. Make field connections of wires in fan box as shown in Figure 2. 110V power supply or .5KVA 460V to 110V transformer must be used to supply power for heater. IMPORTANT! HEATER MUST BE INTER-LOCKED WITH FAN FOR SAFE OPERATION.
3. Connect deluxe thermostat control (optional) as shown in Figure 2. IMPORTANT! THERMOSTAT MUST BE INSTALLED FOR SAFE OPERATION.

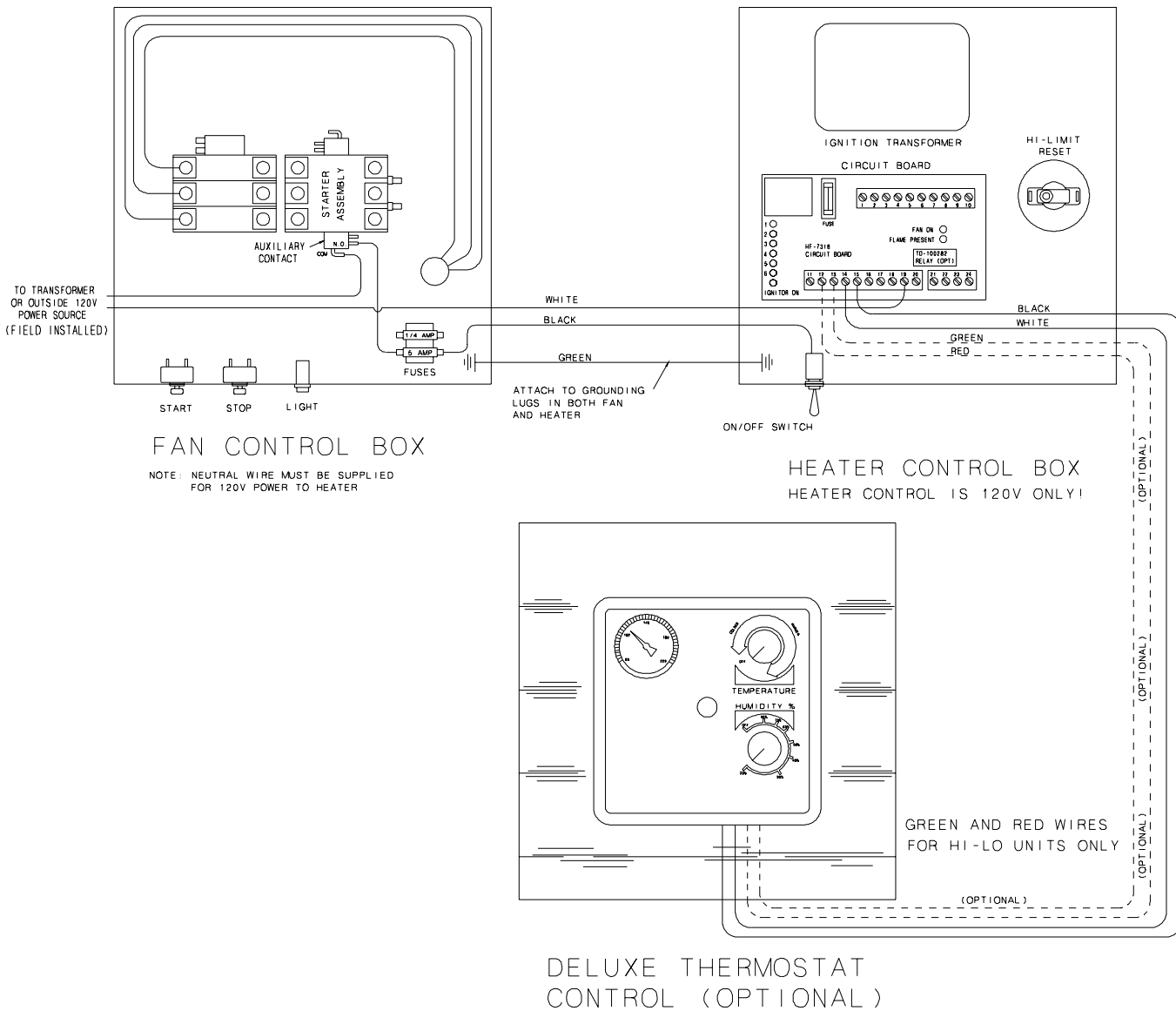


Figure 2: 460 volt fan control box.

## PLENUM THERMOSTAT MOUNTING

The plenum thermostat is the 4 x 4 white box with knob that is preconnected to heater when heater is ordered with thermostat.

1. 24" to the right side of the transition, drill one  $\frac{3}{8}$ " hole (high temp) or 1  $\frac{1}{2}$ " hole (low temp) in the center of the plenum in a valley (4.00" corrugation) or hill (2.66" corrugation) on bin sidewall.
2. Insert the probe through the hole.
3. Position the housing so that the tabs are vertical, and the cord exits the housing horizontally.
4. Use 4 self drilling screws to mount the housing to the bin sidewall.
5. Caulk between the housing and the sidewall to seal.



Plenum thermostat mounting on bin wall.

## TRANSITION HI-LIMIT INSTALLATION

1. Mark location on transition one (1) foot up from the bottom (entrance collar) and centered in the transition.
2. Drill or knock out  $\frac{7}{8}$ " diameter hole on marked location.
3. Install transition hi-limit using supplied self drilling screws.

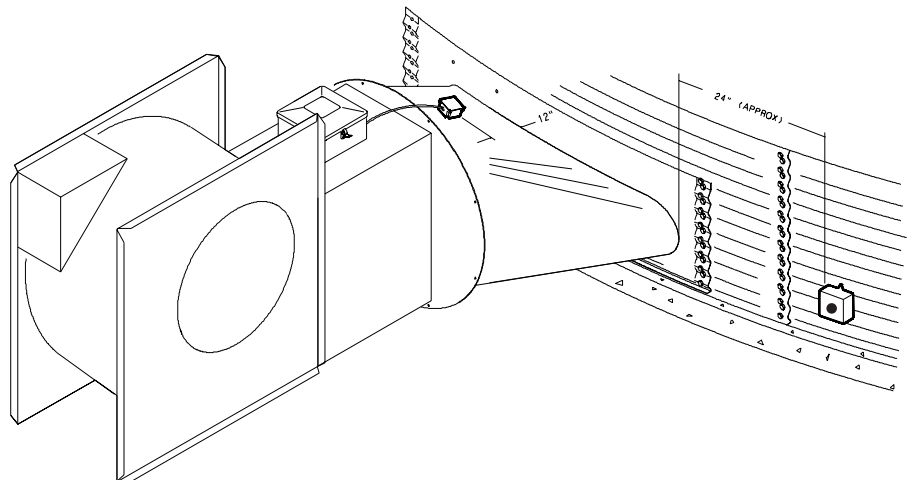


Figure 3: The transition connecting the heater to the bin with the plenum thermostat in place.

## CENTRIFUGAL HEATER SPECIFICATIONS

		Hi-Temp Model	Lo-Temp Model
All models	BTU rating Weight	4000000 145	500000 135
Liquid models	Maximum fuel flow (GPH) Orifice size Minimum operating pressure Maximum operating pressure Minimum line size	43 .25 3 30 3/8"	N/A N/A N/A N/A N/A
Vapor models	Maximum fuel flow (CFH) Orifice size Minimum operating pressure Maximum operating pressure Minimum line size	1590 .25 2 30 1"	210 .109 1 15 1/2"
Natural gas models	Maximum fuel flow (CFH) Orifice size Minimum operating pressure Maximum operating pressure Minimum line size	4200 .375 1 15 1.1/4"	500 .156 1 7 1"

## HEATER DIMENSIONAL SPECIFICATIONS

Heater Size	10-15	20-30	40
Inside Height	30.1/4"	33.1/4"	33.1/4"
Inside Width	19.1/2"	21.3/4"	23.11/16"
Inside length	24"	24"	24"

## STANDARD HEATER OPERATION

1. Thermostat must be wired into heater control box for heater to operate.
2. Open all manual shut-off valves to heater unit.
3. Start fan. This will supply power to heater.
4. Turn thermostat dial to its highest setting.
5. Turn toggle switch on.
6. Heater should now be lit. If not check to see that all gas is on.
7. Set thermostat to desired setting (see deluxe thermostat manual for adjusting deluxe thermostat control).
8. Gas pressure should be adjusted so burner is on 75 percent of the time.
9. Watch as burner goes through a few cycles, to be sure that it is operating properly.

## HI-LO HEATER OPERATION

1. Thermostat must be wired into heater control box for heater to operate.
2. Open all manual shut-off valves to heater unit.
3. Start fan. This will supply power to heater.
4. Turn thermostat dial to its highest setting.
5. Turn toggle switch on.

6. After 20 seconds both red lights should light up indicating power to the control circuit.
7. Heater should now be lit. If not check to see that all gas is on.
8. Open low-fire ball valve all the way.
9. Turn thermostat dial back slowly until heater cycles to low flame.
10. Adjust ball valve so that low-flame pressure is at desired setting.
11. Turn thermostat dial to desired setting and wait for bin plenum to come up to temperature. Heater should cycle to low flame after a few minutes. If heater does not cycle to low flame increase hi-flame gas pressure.
12. Low-flame should be adjusted so that temperature drops slowly until burner goes back to high flame.
13. Watch as burner goes through a few cycles, to be sure that it is operating properly.

**10 - 15 HP UNITS**

**BTU's Per Gauge Pressure (PSI)  
PROPOANE MODELS  
(Approximate)**

HIGH TEMPERATURE 10-15hp 7/32" orifice  
OPERATING PRESSURE (PSI)

	2	4	6	8	10	12	14	15
ALL MODELS	816013	1148640	1409477	1632026	1825859	1995762	2153700	2227883

<b>Gauge Pressure (Psi) Required To Maintain Temperature ( Approximate ) ( 10-15 Horsepower High Temp Propane Units Only )</b>								
Fan Model	Static Pressure	Heat Rise Degrees F						
		60	80	100	120	140	160	180
10HP	2"	2	4	6	8	10	13	
	4"	1	3	5	6	8	11	14
	6"	1	1	3	5	6	8	10
15HP	2"	3	6	9	12	15		
	4"	3	5	7	10	13		
	6"	2	3	5	6	9	11	14

**BTU's Per Gauge Pressure (PSI)  
NATURAL GAS MODELS  
(Approximate)**

HIGH TEMPERATURE 10-15hp 11/32" orifice  
OPERATING PRESSURE (PSI)

	1	2	3	4	5	6	7
ALL MODELS	859104	1218432	1489296	1718208	1921584	2107632	2276352

<b>Gauge Pressure (Psi) Required To Maintain Temperature ( Approximate ) ( 10-15 Horsepower High Temp Natural Gas Units Only )</b>								
Fan Model	Static Pressure	Heat Rise Degrees F						
		60	80	100	120	140	160	180
10HP	2"	1	1.75	2.5	3.5	4.75	6	
	4"	0.75	1.25	2	2.75	3.75	4.75	6
	6"	0.5	1	1.5	2	2.75	3.5	4.25
15HP	2"	1.5	2.5	3.75	5.5			
	4"	1.25	2	3	4.25	5.75		
	6"	0.75	1.25	2	2.75	3.75	5	6

**20 - 40 HP UNITS**

**BTU's Per Gauge Pressure (PSI) PROPANE MODELS (Approximate)**

HIGH TEMPERATURE 20-40hp 5/16" orifice  
OPERATING PRESSURE (PSI)

	2	4	6	8	10	12	14	15
ALL MODELS	1663135	2345140	2878779	3328663	3721115	4068100	4393548	4541914

**Gauge Pressure (Psi) Required To Maintain Temperature ( Approximate )  
( 20-40 Horsepower High Temp Propane Units Only )**

Fan Model	Static Pressure	Heat Rise Degrees F						
		60	80	100	120	140	160	180
20HP	2"	2	2	4	5	7	8	10
	4"	1	2	3	4	5	7	8
	6"	1	2	3	4	5	6	7
25HP	2"	2	3	5	7	9	12	15
	4"	2	3	4	6	8	10	13
	6"	2	2	4	5	6	8	10
30HP	2"	2	4	6	8	11	15	
	4"	2	4	5	7	10	13	
	6"	2	3	4	6	8	10	13
40HP	2"	3	6	8	12			
	4"	3	5	7	11	14		
	6"	3	4	7	9	12		

**BTU's Per Gauge Pressure (PSI) NATURAL GAS MODELS (Approximate)**

HIGH TEMPERATURE 20-40hp 15/32" orifice  
OPERATING PRESSURE (PSI)

	1	2	3	4	5	6	7
ALL MODELS	1597824	2266320	2770656	3195648	3573216	3919776	4234416

**Gauge Pressure (Psi) Required To Maintain Temperature ( Approximate )  
( 20-40 Horsepower High Temp Natural Gas Units Only )**

Fan Model	Static Pressure	Heat Rise Degrees F						
		60	80	100	120	140	160	180
20HP	2"	0.75	1.25	1.75	2.5	3.25	4.25	5.5
	4"	0.5	1	1.5	2	2.75	3.5	4.5
	6"	0.5	0.75	1.25	1.75	2.25	3	3.75
25HP	2"	1	1.75	2.25	3.5	4.75	6.25	
	4"	0.75	1.5	2.25	3.25	4	5.25	6.25
	6"	0.5	1.25	1.75	2.5	3.25	4.25	5.5
30HP	2"	1.25	2	3	4.5	6		
	4"	1	1.75	2.75	3.75	5	7	
	6"	0.75	1.5	2.25	3	4	5.25	7
40HP	2"	1.75	3	4.5	6.25			
	4"	1.5	2.5	4	5.5			
	6"	1.25	2.25	3.5	4.75	6.75		

**Lo Temp Units**

**BTU's Per Gauge Pressure (PSI)  
PROPANE MODELS  
(Approximate)**

LOW TEMPERATURE ALL HP's 7/64" orifice  
OPERATING PRESSURE (PSI)

	2	4	6	8	10	12	14	15
ALL MODELS	203405	287160	351771	409203	457063	497744	538425	555176

**BTU's Per Gauge Pressure (PSI)  
NATURAL GAS MODELS  
(Approximate)**

LOW TEMPERATURE ALL HP's 5/32" orifice  
OPERATING PRESSURE (PSI)

	1	2	3	4	5	6	7
ALL MODELS	177840	251712	308256	355680	397632	435936	470592



**BTU'S PER GAUGE PRESSURE (PSI) NATURAL GAS MODELS (APPROXIMATE)**

**HIGH TEMPERATURE**

	Operating Pressure (PSI)						
	2	4	6	8	10	12	14
<b>All Models</b>	1590000	2375000	2749000	3180000	3555000	3886000	4195000

**LOW TEMPERATURE**

	Operating Pressure (PSI)						
	1	2	3	4	5	6	7
<b>All Models</b>	195000	276000	338000	390000	436000	478000	500000

**GAUGE PRESSURE (PSI) REQUIRED TO MAINTAIN TEMPERATURE (APPROXIMATE)  
(HIGH TEMP UNITS ONLY)**

Fan Model	Static Pressure	Heat Rise Degrees F						
		60	80	100	120	140	160	180
<b>10HP</b>	2"	1	1.5	2	2.5	3	3.5	4
	4"	1	1.5	1.75	2	2.5	3	3.5
	6"	.75	1.25	1.5	1.75	2	2.25	2.5
<b>15HP</b>	2"	1	1.75	2.5	3.25	4	5	7
	4"	1	1.5	2	2.5	3.25	4	5.5
	6"	1	1.25	1.5	1.75	2.25	3	3.75
<b>20HP</b>	2"	1.75	2.5	3.5	5	7	9.5	12
	4"	1.25	2	3	4	5	7	9
	6"	1	1.75	2.5	3.25	4	5	7
<b>25HP</b>	2"	2	3.25	5	7.5	10	13	
	4"	2	3	4	6	8.5	11	14
	6"	1.75	2.5	3.5	5	7	9.5	12
<b>30HP</b>	2"	2.5	4	6.5	9	13		
	4"	2	3.5	5	8	11	14	
	6"	2	3	4	6	8.5	11	14
<b>40HP</b>	2"	3	6	10	14			
	4"	2.75	5	8	11	15		
	6"	2.5	4	6.5	9	13		

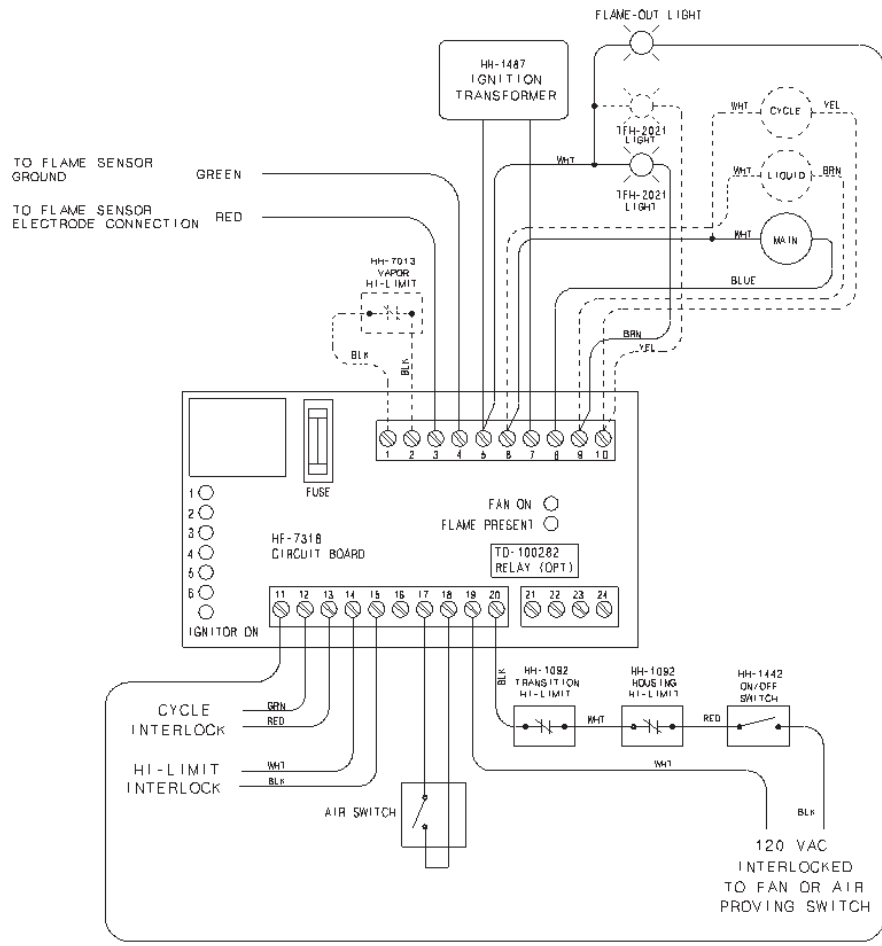
## ADJUSTING THE VAPORIZOR

1. Vaporizer should be adjusted so the vapor pipe train runs warm to the touch (100°-120°F).
2. Loosen 5/16" bolts on adjustment bracket.
3. Raise vaporizer if running too hot, lower if too cold.
4. Move vaporizer only 1" at a time and allow a few minutes for temperature to equalize.
5. Tighten 5/16" bolts and watch heater run for several minutes to verify adjustment.



Adjusting the vaporizer coil on a liquid propane model.  
The top photo shows the setting up (cool),  
and the bottom photo shows the coil down (hot).

**SERIES ONE WIRING DIAGRAM**



● INDICATES LIGHT ON ○ INDICATES LIGHT OFF

INDICATION	POSSIBLE CAUSE	POSSIBLE SOLUTION
○ ○ ○ ○ ○ ○	Bad On/Off Switch	Replace Switch
○ ○ ○ ○ ○ ○	Heater Housing Hi-Limit	Reset Or Replace Hi-Limit
○ ○ ○ ○ ○ ○	Transition Hi-Limit	Reset Or Replace Hi-Limit
○ ○ ○ ○ ○ ○	No Power To Heater	Check Heater
● ○ ○ ○ ○ ○	Blown Fuse	Replace Fuse
● ● ○ ○ ○ ○	Flame Sensor (if flame present light on)	Clean Or Replace Flame Sensor
● ● ○ ○ ○ ○	Control Board	Replace Control Board
● ● ○ ○ ○ ○	Air Switch (if fan on light not on)	Check Air Switch
● ● ● ○ ○ ○	Vaporizer Hi-Limit	Adjust Vaporizer Coil Replace Vapor Hi-Limit
● ● ● ● ○ ○	Humidistat/Thermostat	Temperature Reached Replace Thermostat Or Humidistat
● ● ● ● ● ○	Spark Plug	Clean Or Replace Spark Plug
● ● ● ● ● ○	No Fuel To Burner	Check Fuel Supply
● ● ● ● ● ○	Bad Solenoid	Replace Solenoid

● ● ● ● ● ○ WAIT FOR 20 SECOND PURGE DELAY TO TROUBLESHOOT!  
 1 2 3 4 5 6 INDICATING LIGHTS SHOWN ON LEFT SHOULD BE LIT WHEN UNIT IS OPERATING PROPERLY

# SECOND HEATER INSTALLATION

# SEREIS ONE HEATER

## FOR UNITS USING HF-7318 CONTROL BOARD

Second heater control is available with the HF-7318 heater control board. For standard units no extra parts are required. For HI-LO units (1) TD-100282 relay must be installed. **INSTALLATION SHOULD BE MADE BY A QUALIFIED ELECTRICIAN.** When points are called out in instructions they are in reference to points on drawing below text.

### INSTALLATION FOR STANDARD UNITS

1. Run (2) wires from main heater (heater that thermostat is connected to) to second heater.
2. Connect 2 wires to terminals 23 and 24 (points B and A) of second heater control terminal strip in main heater.
3. Connect other end of these wires to terminals 14 and 15 (points F and E) on lower left hand corner of HF-7318 board in second heater.

### INSTALLATION FOR HI-LO UNITS

1. Plug (1) TD-100282 relay into empty socket on HF-7100 control board in main heater.
2. Run (4) wires from main heater (heater that thermostat is connected to) to second heater.
3. Connect 2 of the wires to terminal 23 and 24 (points B and A) of second heater control terminal strip in main heater.
4. Connect other end of these wires to terminals 14 and 15 (points F and E) on lower left hand corner of HF-7318 board in second heater.
5. Connect other 2 wires to terminal 21 and 22 (points D and C) of second heater control terminal strip in main heater.
6. Connect other end of these wires to terminals 12 and 13 (points H and G) on lower left hand corner of HF-7318 board in second heater.

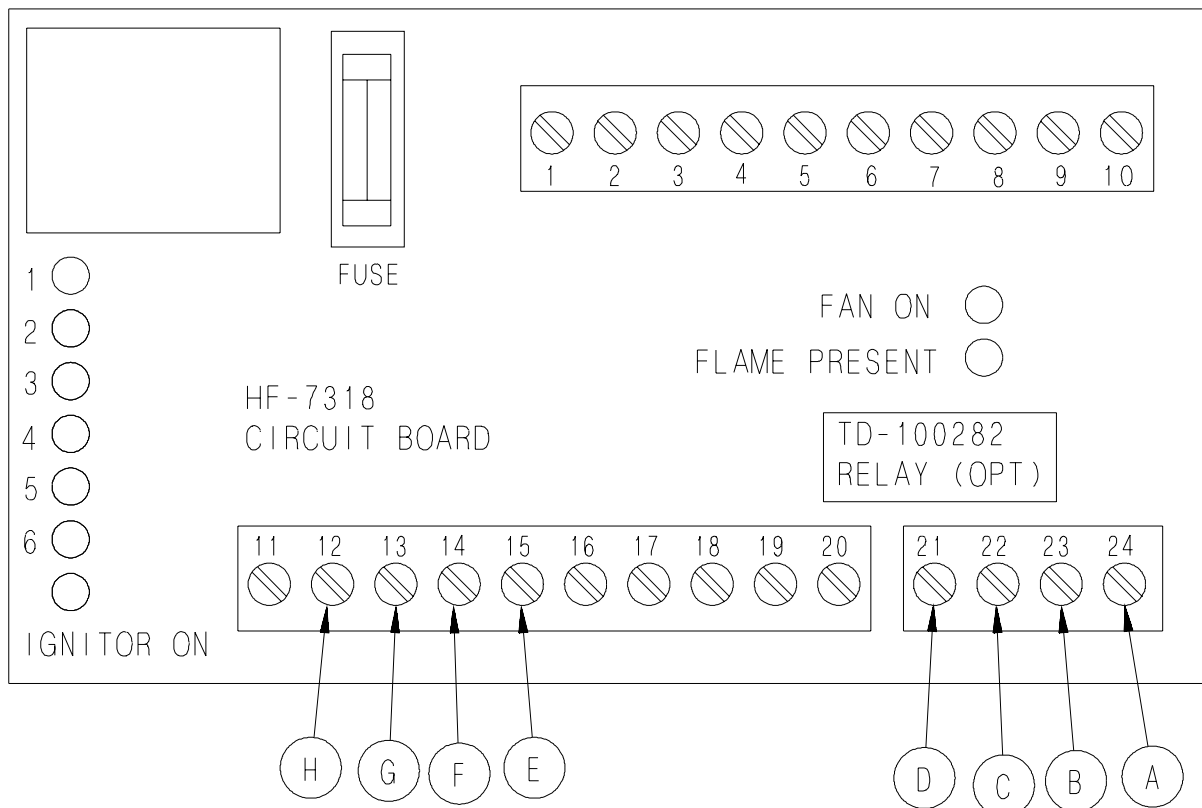


Figure 4: The HF-7318 control board.



NECO WARRANTS ALL PRODUCTS MANUFACTURED BY NECO TO BE FREE OF DEFECTS IN MATERIAL AND WORKMANSHIP UNDER NORMAL USAGE AND CONDITIONS FOR A PERIOD OF 36 MONTHS AFTER RETAIL SALE TO THE ORIGINAL END USER OF SUCH PRODUCTS. NECO'S ONLY OBLIGATION IS, AND PURCHASER'S SOLE REMEDY SHALL BE FOR NECO, TO REPAIR OR REPLACE, AT NECO'S OPTION AND EXPENSE, PRODUCTS THAT, IN NECO'S SOLE JUDGMENT, CONTAIN A MATERIAL DEFECT DUE TO MATERIALS OR WORKMANSHIP. ALL DELIVERY AND SHIPMENT CHARGES TO AND FROM NECO'S FACTORY WILL BE PURCHASER'S RESPONSIBILITY. EXPENSES INCURRED BY OR ON BEHALF OF THE PURCHASER WITHOUT PRIOR WRITTEN AUTHORIZATION FROM AN AUTHORIZED EMPLOYEE OF NECO SHALL BE THE SOLE RESPONSIBILITY OF THE PURCHASER.

EXCEPT FOR THE ABOVE STATED EXPRESS LIMITED WARRANTIES, NECO MAKES NO WARRANTY OF ANY KIND, EXPRESSED OR IMPLIED, INCLUDING, WITHOUT LIMITATION, WARRANTIES OF MERCHANTABILITY OR FITNESS FOR A PARTICULAR PURPOSE OR USE IN CONNECTION WITH (i) PRODUCT MANUFACTURED OR SOLD BY NECO OR (ii) ANY ADVICE, INSTRUCTION, RECOMMENDATION OR SUGGESTION PROVIDED BY AN AGENT, REPRESENTATIVE OR EMPLOYEE OF NECO REGARDING OR RELATED TO THE CONFIGURATION, INSTALLATION, LAYOUT, SUITABILITY FOR A PARTICULAR PURPOSE, OR DESIGN OF SUCH PRODUCT OR PRODUCTS.

IN NO EVENT SHALL NECO BE LIABLE FOR ANY DIRECT, INDIRECT, INCIDENTAL OR CONSEQUENTIAL DAMAGES, INCLUDING, WITHOUT LIMITATION, LOSS OF ANTICIPATED PROFITS OR BENEFITS. PURCHASER'S SOLE AND EXCLUSIVE REMEDY SHALL BE LIMITED TO THAT STATED ABOVE, WHICH SHALL NOT EXCEED THE AMOUNT PAID FOR THE PRODUCT PURCHASED. THIS WARRANTY IS NOT TRANSFERABLE AND APPLIES ONLY TO THE ORIGINAL PURCHASER. NECO SHALL HAVE NO OBLIGATION OR RESPONSIBILITY FOR ANY REPRESENTATIVE OR WARRANTIES MADE BY OR ON BEHALF OF ANY DEALER, AGENT OR DISTRIBUTOR OF NECO.

NECO ASSUMES NO RESPONSIBILITY FOR FIELD MODIFICATIONS OR ERECTION DEFECTS WHICH CREATE STRUCTURAL OR STORAGE QUALITY PROBLEMS. MODIFICATIONS TO THE PRODUCT NOT SPECIFICALLY COVERED BY THE CONTENTS OF THIS MANUAL WILL NULLIFY ANY PRODUCT WARRANTY THAT MIGHT HAVE BEEN OTHERWISE AVAILABLE.

THE FOREGOING WARRANTY SHALL NOT COVER PRODUCTS OR PARTS WHICH HAVE BEEN DAMAGED BY NEGLIGENT USE, MISUSE, ALTERATION OR ACCIDENT. THIS WARRANTY COVERS ONLY PRODUCTS MANUFACTURED BY NECO. THIS WARRANTY IS EXCLUSIVE AND IN LIEU OF ALL OTHER WARRANTIES EXPRESS OR IMPLIED. NECO RESERVES THE RIGHT TO MAKE DESIGN OR SPECIFICATION CHANGES AT ANY TIME.

PRIOR TO INSTALLATION, PURCHASER HAS THE RESPONSIBILITY TO RESEARCH AND COMPLY WITH ALL FEDERAL, STATE AND LOCAL CODES WHICH MAY APPLY TO THE LOCATION AND INSTALLATION.

SEREIS ONE HEATER

# SEREIS ONE HEATER



Neco  
Box 12277, 9364 N. 45 St.  
Omaha, Nebraska 68112  
phone 402-453-6912  
fax 402-453-0471

February 1999