



# Portable Dryer Installation and Towing

Installation and Towing Manual

PNEG-338

Date: 11-28-12

GSI GROUP



PNEG-338



---

## Contents

<b>Chapter 1 Introduction</b> .....	<b>4</b>
<b>Chapter 2 Safety</b> .....	<b>5</b>
Safety Guidelines .....	5
Emergency Stop Switch .....	6
Safety Instructions .....	6
Safety Precautions .....	7
Safety Sign-Off Sheet .....	8
<b>Chapter 3 Safety Alert Decals</b> .....	<b>9</b>
<b>Chapter 4 Transporting the Dryer</b> .....	<b>13</b>
<b>Chapter 5 Installation</b> .....	<b>14</b>
Location of the Dryer .....	14
Foundation .....	14
Supporting the Dryer .....	14
Supporting the Dryer with the Optional Steel Support Legs .....	14
Wet Grain Supply .....	14
Dry Grain Removal .....	14
<b>Chapter 6 Foundation Layout Typical of Dryer Line</b> .....	<b>16</b>
<b>Chapter 7 Foundation Specifications for Dryer</b> .....	<b>17</b>
<b>Chapter 8 Fuel Connection</b> .....	<b>18</b>
Liquid Propane (LP) .....	18
Natural Gas (N) .....	19
<b>Chapter 9 Electrical Power Supply</b> .....	<b>21</b>
Power Supply .....	21
Transformers and Wiring Voltage Drop .....	21
Power Supply Disconnect .....	21
Machine to Earth Grounding .....	21
Proper Installation of Ground Rod .....	22
Connecting Auxiliary Conveyors .....	22
<b>Chapter 10 Electrical Load Information</b> .....	<b>23</b>
<b>Chapter 11 Warranty</b> .....	<b>31</b>

## 1. Introduction

---

READ THIS MANUAL carefully to learn how to properly use and install equipment. Failure to do so could result in personal injury or equipment damage.

INSPECT the shipment immediately upon arrival. The customer is responsible for ensuring that all quantities are correct. The customer should report and note any damage or shortage on the bill of lading to justify their claim to the transport company.

THIS MANUAL SHOULD BE CONSIDERED a permanent part of your equipment and should be easily accessible when needed.

This warranty provides you the assurance that the company will back its products when defects appear within the warranty period. In some circumstances, the company also provides field improvements, often without charge to the customer, even if the product is out of warranty. Should the equipment be abused, or modified to change its performance beyond the factory specifications, the warranty will become void and field improvements may be denied.

## Safety Guidelines

This manual contains information that is important for you, the owner/operator, to know and understand. This information relates to protecting **personal safety** and **preventing equipment problems**. It is the responsibility of the owner/operator to inform anyone operating or working in the area of this equipment of these safety guidelines. To help you recognize this information, we use the symbols that are defined below. Please read the manual and pay attention to these sections. Failure to read this manual and its safety instructions is a misuse of the equipment and may lead to serious injury or death.



This is the safety alert symbol. It is used to alert you to potential personal injury hazards. Obey all safety messages that follow this symbol to avoid possible injury or death.



**DANGER** indicates a hazardous situation which, if not avoided, will result in death or serious injury.



**WARNING** indicates a hazardous situation which, if not avoided, could result in death or serious injury.



**CAUTION**, used with the safety alert symbol, indicates a hazardous situation which, if not avoided, could result in minor or moderate injury.



**NOTICE** is used to address practices not related to personal injury.



### **WARNING! BE ALERT!**

Personnel operating or working around electric fans should read this manual. This manual must be delivered with the equipment to its owner. Failure to read this manual and its safety instructions is a misuse of the equipment.

### Emergency Stop Switch

The emergency stop switch is located on the upper control box door. Pushing the emergency stop switch will interrupt the control power and stop all dryer functions.



*Pushing the emergency stop switch does not interrupt the main power to the upper control box panel.*



Figure 2A

### Safety Instructions

Our foremost concern is your safety and the safety of others associated with this equipment. We want to keep you as a customer. This manual is to help you understand safe operating procedures and some problems that may be encountered by the operator and other personnel.

As owner and/or operator, it is your responsibility to know what requirements, hazards, and precautions exist, and to inform all personnel associated with the equipment or in the area. Safety precautions may be required from the personnel. Avoid any alterations to the equipment. Such alterations may produce a very dangerous situation where **SERIOUS INJURY** or **DEATH** may occur.

This equipment shall be installed in accordance with the current installation codes and applicable regulations, which should be carefully followed in all cases. Authorities having jurisdiction should be consulted before installations are made.

## Safety Precautions

### READ THESE INSTRUCTIONS BEFORE INSTALLATION AND OPERATION SAVE FOR FUTURE REFERENCE

1. Read and understand the operating manual before trying to operate the dryer.
2. **NEVER** operate the dryer while the guards are removed.
3. Power supply should be **OFF** for service of electrical components. Use **CAUTION** in checking voltage or other procedures that require the power to be **ON**.
4. Check for gas leaks at all gas pipe connections. If any leaks are detected, **DO NOT** operate dryer. Shut down and repair before further operation.
5. **NEVER** attempt to operate the dryer by jumping or otherwise bypassing any safety devices on the unit.
6. Set pressure regulator to avoid excessive gas pressure to burner during ignition and when burner is in operation. **DO NOT** exceed maximum recommended drying temperature.
7. Keep the dryer clean. Clean grain is easier to dry. Fine material increases resistance to airflow and requires removal of extra moisture. **DO NOT** allow fine material to accumulate in the plenum chamber.
8. Keep auger drive belts tight enough to prevent slippage.
9. Use **CAUTION** in working around high speed fans, gas burners, augers and auxiliary conveyors which can all **START AUTOMATICALLY**.
10. **DO NOT** operate in any area where combustible material will be drawn into the fan.
11. **BEFORE** attempting to remove and reinstall any propeller, read the procedure listed in the service section of the manual.
12. Match the capacities of auxiliary conveyors to dryer auger capacities.

### USE CAUTION IN THE OPERATION OF THIS EQUIPMENT

This dryer is designed and manufactured to maximize operator safety. However, grain dryers have inherently hazardous components: a gas burner, high voltage electrical equipment, high speed rotating parts, etc. It is not possible to fully safeguard against all hazards without impeding efficient operation and reasonable access to components. Therefore, a careful and knowledgeable owner/operator is the best insurance against an accident.

Use extreme caution when working around high speed fans, gas fired heaters, augers and auxiliary conveyors, which may start without warning when the dryer is operating on automatic control.



***Keep the dryer clean. Do not allow fine material to accumulate in the plenum chamber or surrounding the outside of the dryer.***

Continued safe, dependable operation of automatic equipment depends, to a great degree, upon the owner. For a safe and dependable drying system, follow the recommendations within this manual and make it a practice to regularly inspect the operation of the unit for any developing problems or unsafe conditions.

Take special note of all safety precautions before attempting to operate the dryer.





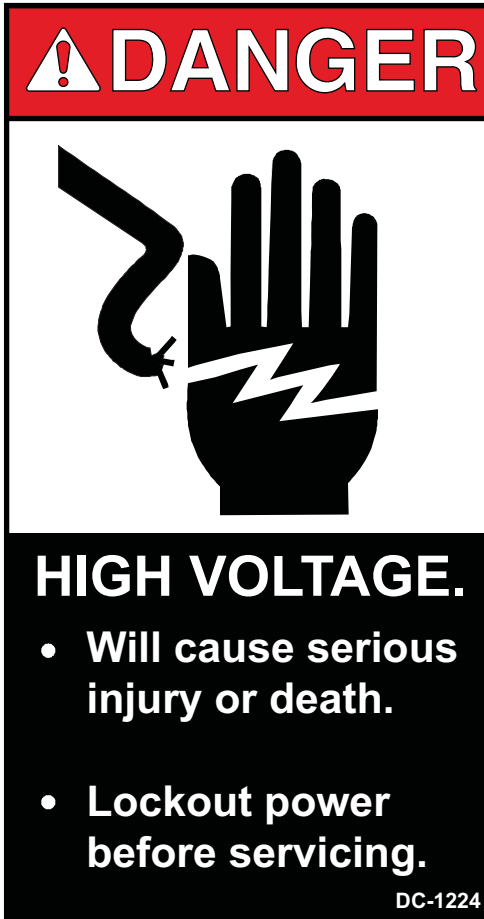
The GSI Group recommends contacting your local power company and having a representative survey your installation so the wiring is compatible with their system and adequate power is supplied to your unit. Safety decals should be read and understood by all people in the grain handling area.

If a decal is damaged or is missing, contact:

#### Decals

1004 E. Illinois St.  
Assumption, IL. 62510  
Phone: 1-217-226-4421

A free replacement will be sent to you.



Decal: DC-1224

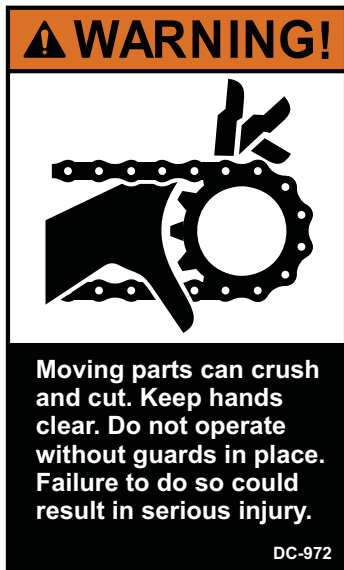
Decal DC-1224 is located in two (2) places on the fan/heater control box. One is located on the lid and another one is on the front of the fan/heater control box. An additional location for this decal is inside the upper control box for the dryer.



Decal: DC-889

Decal DC-889 has two (2) locations. One is located inside the fan/heater control box and another one is on the dryer upper control box door next to the main power disconnect.

### 3. Safety Alert Decals



Decal: DC-972

Decal DC-972 is located on the bottom auger belt guard and the front bearing plate (which is visible when the bottom auger belt guard is removed). An alternate location would be at the rear of the dryer for portable dryers equipped with the **Front Discharge Option**.



Decal: DC-971

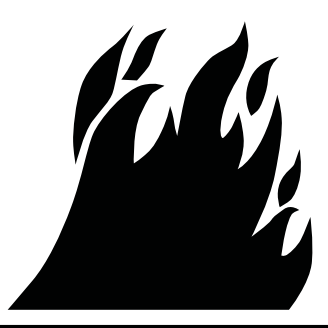
Decal DC-971 is located on the bottom auger belt guard and the front bearing plate (which is visible when the bottom auger belt guard is removed). An alternate location would be at the rear of the dryer for portable dryers equipped with the **Front Discharge Option**.

An additional location for decal DC-971 is the top auger belt guard (one on the belt guard cover and one inside on the belt guard body visible when the belt guard cover is removed).



Decal: DC-974

Decal DC-974 has several different locations. Two (2) are located on the front end panel below the fan/heater. Two (2) are located on the rear end panel below the rear access door. Two (2) are located on the auger discharge box (one on the outside top and one on the inside of the flapper lid next to the discharge mercury switch). One more of these decals is located inside the plenum on the rear plenum closure door just inside the rear access door.



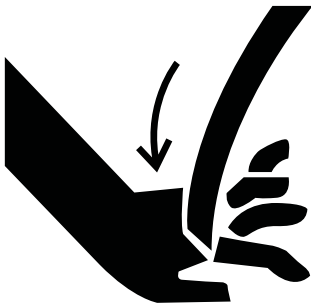
**! WARNING**

Flame and pressure beyond door can cause serious injury. Do not operate with service door removed. Keep head and hands clear.

DC-1227

Decal: DC-1227

Decal DC-1227 is located on the fan/heater access door.



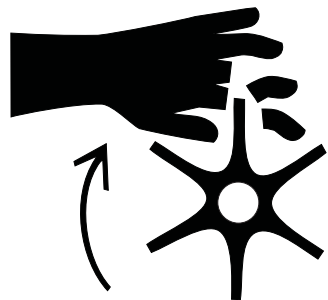
**! WARNING**

Stay clear of rotating blade. Blade could start automatically. Can cause serious injury. Disconnect power before servicing.

DC-1225

Decal: DC-1225

Decal DC-1225 is located on the fan/heater access door.



**! WARNING**

Rotating metering roll. Equipment can start automatically. Keep hands clear. Can cause serious injury. Disconnect power before servicing.

DC-1229

Decal: DC-1229

Decal DC-1229 is located on each of the meter roll access doors.

### 3. Safety Alert Decals

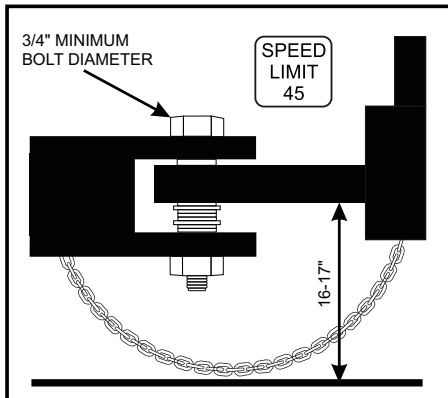
**! DANGER!**

Automatic equipment can start at any time. Do not enter until fuel is shut off and electrical power is locked in off position. Failure to do so will result in serious injury or death.

DC-973

Decal: DC-973

Decal DC-973 is located on the rear plenum access door (inside and outside).



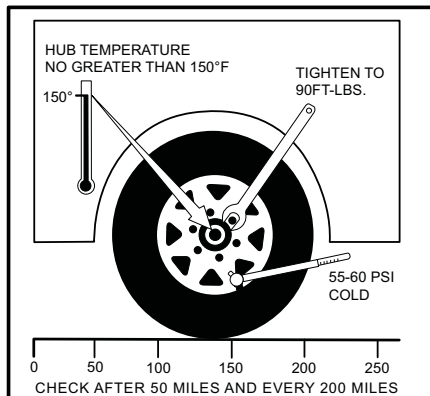
**! CAUTION**

Hitch pin must be securely fastened and no less than 3/4" in diameter. Failure to follow installation instructions may result in property damage.

DC-388

Decal: DC-388

Decal DC-388 is located on the hitch tongue.



**! CAUTION**

Dryer must be towed empty and in accordance with state and provincial regulations.

DC-1249

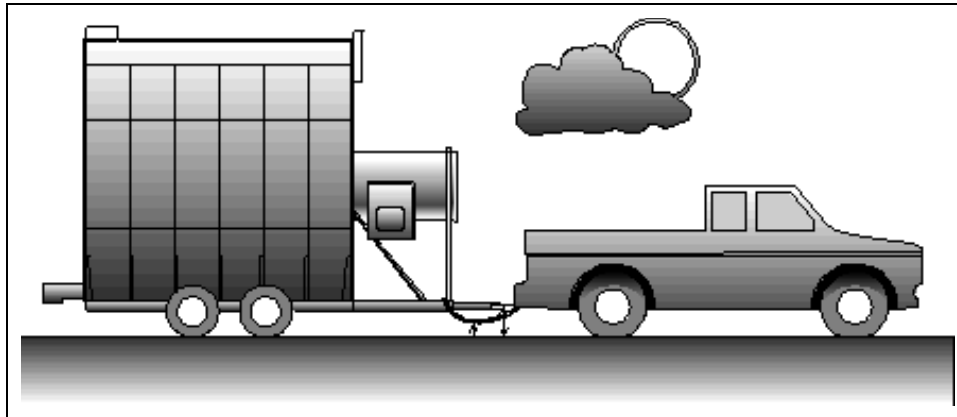
Decal: DC-1249

Decal DC-1249 is located on the hitch tongue.

## 4. Transporting the Dryer

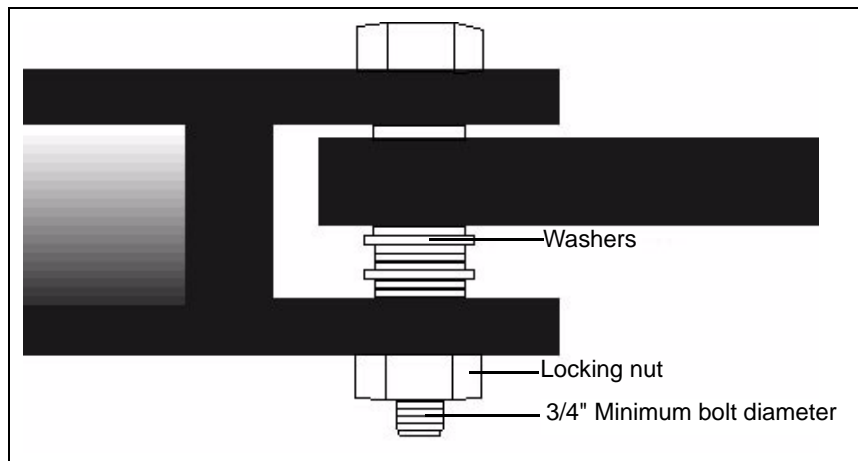
The dryer is available with an optional transport kit for transporting the unit by truck or tractor. Make certain to observe the following safety precautions.

1. Recommended towing hitch height is 14"-17". (See Figure 4A.)



**Figure 4A** Use a 14"-17" Towing Hitch Height and a Safety Chain

2. Hitch bolt must be at least 3/4" in diameter and securely fastened with a locking nut, so it will not come out during travel and the hitch will not bend. (See Figure 4B.)
3. Be sure to minimize vertical hitch play with washers. (See Figure 4B.)



**Figure 4B** A 3/4" hitch bolt and washers fastened with a locking nut at the bottom of the hitch.

4. Always use a safety chain. (See Figure 4A.)
5. Dryer must be towed empty and in accordance with applicable state or provincial regulations.  
**NOTE:** NEVER tow dryer with grain or any other material inside of it.
6. Recommended tire pressure is 55-60 PSI (cold).
7. Maximum towing speed is 45 miles per hour or the speed limit, whichever is lower.
8. After the first 50 miles and every 200 miles thereafter, check the following:
  - a. Dryer wheel hub and spindle temperature immediately after stopping. Temperature should not exceed 150°F. It may be hot to touch, but not melting lubricant.
  - b. Wheel lug nuts. They are factory torqued at 115 to 120 Ft. Lbs. Retighten, if required.

## 5. Installation

---

### Location of the Dryer

When considering the exact location of the dryer, also consider the wet grain supply and dry grain discharge, as well as the location of storage bins and other grain handling equipment. Do not install the dryer inside a building or in any other area where not allowed by electrical codes, fuel installation regulations and/or insurance requirements. *Maintain a minimum distance of at least three feet from other structures, otherwise air flow problems may occur. (See Page 15.)* Do not operate in an area where combustible materials can be drawn into the fans or where load and unload augers can come in contact with power lines.

### Foundation

A reinforced concrete pad or similar permanent foundation is recommended for dryer stability. [See Pages 16](#) and [17](#) for details.

### Supporting the Dryer

The wheels are to be used for transporting the dryer only when empty. Before loading any grain into the dryer, the frame of the unit on each side must be supported. Place concrete blocks on each side, every six feet of the frame, as well as at the hitch mount location with the hitch removed. The blocks must be able to support the dryer as well as the additional weight of the grain when full. Use shims to provide uniform, level support for all blocks. The dryer should be at least 16" off the pad to allow for clean-out and the use of auxiliary grain handling equipment. The hitch tongue should be removed, but the hitch assembly and the fan support must be left on during operation; they are not part of the transport tie down assembly.

**NOTE:** *Use a minimum of one support per each six feet of basket length on each side.*

### Supporting the Dryer with the Optional Steel Support Legs

Anchor points may be cast into the concrete slab or the dryer may be tied down by cables and turnbuckles to anchors installed at the edge of the slab. This helps prevent overturn or lateral movement by wind or other forces.

### Wet Grain Supply

A wet grain holding bin provides gravity flow to the dryer or loading conveyor. This conveyor may be electrically connected to the power circuit provided in the main control box. Initially, the dryer will fill completely. During drying, the top auger will start and stop as required depending upon the dry grain discharge rate and grain shrinkage to maintain the dryer fill. If the dryer does not fill within the pre-set time on the Out of Grain Timer (see owner's manual for instructions on setting this timer), the dryer will shut down.

### Dry Grain Removal

The dry grain is normally discharged out of the rear end of the dryer. Front discharge is an optional feature. A take away system needs to be provided to remove grain from the drying system. This conveyor may be electrically connected to the power circuit provided in the main control box.

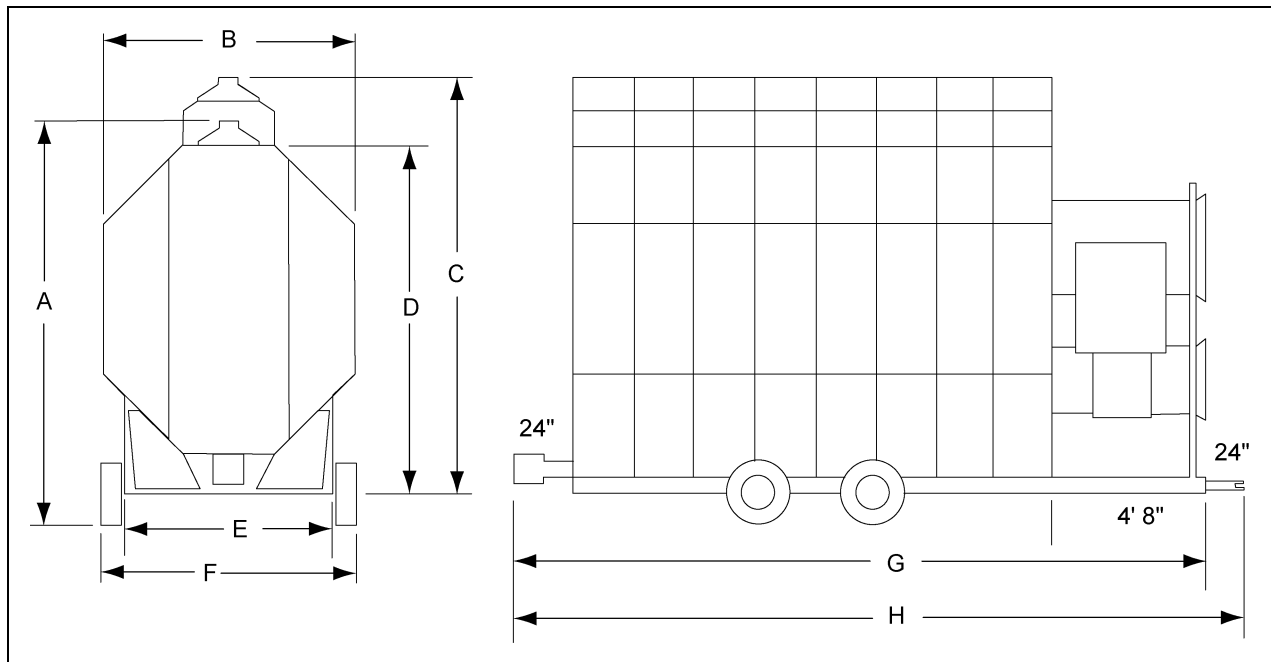


Figure 5A Diagram of Dryer Dimensions

**Transport and Installation Dimensions**

Driver Model #	A	B	C		D	E	F	G	H
	Transport Height	Installed Width	Installed Wet Bin	Height Standard	Height w/o Wet Bin	Frame Width	Transport Width	Installed Length	Transport Length
1108	11' 6"	8'	13'	11' 8"	10' 1"	6' 5"	8'	14' 9"	16' 10"
1110	11' 6"	8'	13'	11' 8"	10' 1"	6' 5"	8'	16' 9"	18' 10"
1112	13' 5"	8'	14' 6"	13' 2"	11' 7"	6' 5"	8'	18' 9"	20' 10"
1114 1214	13' 5"	8'	14' 6"	13' 2"	11' 7"	6' 5"	8'	20' 9"	22' 10"
1116 1216	13' 5"	8'	14' 6"	13' 2"	11' 7"	6' 5"	8'	22' 9"	24' 10"
1118 1218	13' 5"	8'	14' 6"	13' 2"	11' 7"	6' 5"	8'	24' 9"	26' 10"
1120 1220	13' 5"	8'	14' 6"	13' 2"	11' 7"	6' 5"	8'	26' 9"	28' 10"
1122 1222	13' 5"	8'	14' 6"	13' 2"	11' 7"	6' 5"	8'	28' 9"	30' 10"
1126 1226	13' 5"	8'	14' 6"	13' 2"	11' 7"	6' 5"	8'	32' 9"	34' 10"
1314	13' 5"	8'	14' 6"	13' 2"	11' 7"	6' 5"	8'	20' 9"	22' 10"
1318	13' 5"	8'	14' 6"	13' 2"	11' 7"	6' 5"	8'	24' 9"	26' 10"
1322	13' 5"	8'	14' 6"	13' 2"	11' 7"	6' 5"	8'	28' 9"	30' 10"
1214S	13' 5"	11' 2"	14' 6"	13' 2"	11' 7"	6' 5"	8'	20' 9"	22' 9"
1218S	13' 5"	11' 2"	14' 6"	13' 2"	11' 7"	6' 5"	8'	24' 9"	26' 10"
1220S	13' 5"	11' 2"	14' 6"	13' 2"	11' 7"	6' 5"	8'	26' 9"	28' 10"
1222S	13' 5"	11' 2"	14' 6"	13' 2"	11' 7"	6' 5"	8'	28' 9"	30' 10"
1226S	13' 5"	11' 2"	14' 6"	13' 2"	11' 7"	6' 5"	8'	32' 9"	34' 10"
160AB	11' 11"	8'	N/A	11' 8"	10' 1"	6' 5"	8'	12' 9"	14' 10"
210AB	11' 11"	8'	N/A	11' 8"	10' 1"	6' 5"	8'	14' 9"	16' 10"
300AB	13' 5"	8'	N/A	13' 3"	11' 7"	6' 5"	8'	16' 9"	18' 10"
375AB	13' 5"	8'	N/A	13' 3"	11' 7"	6' 5"	8'	18' 9"	20' 10"
400AB	13' 5"	8'	N/A	13' 3"	11' 7"	6' 5"	8'	20' 9"	22' 10"
415AB	13' 5"	8'	N/A	13' 3"	11' 7"	6' 5"	8'	20' 9"	22' 10"
600AB	13' 5"	8'	N/A	13' 3"	11' 7"	6' 5"	8'	26' 9"	28' 10"

## 6. Foundation Layout Typical of Dryer Line

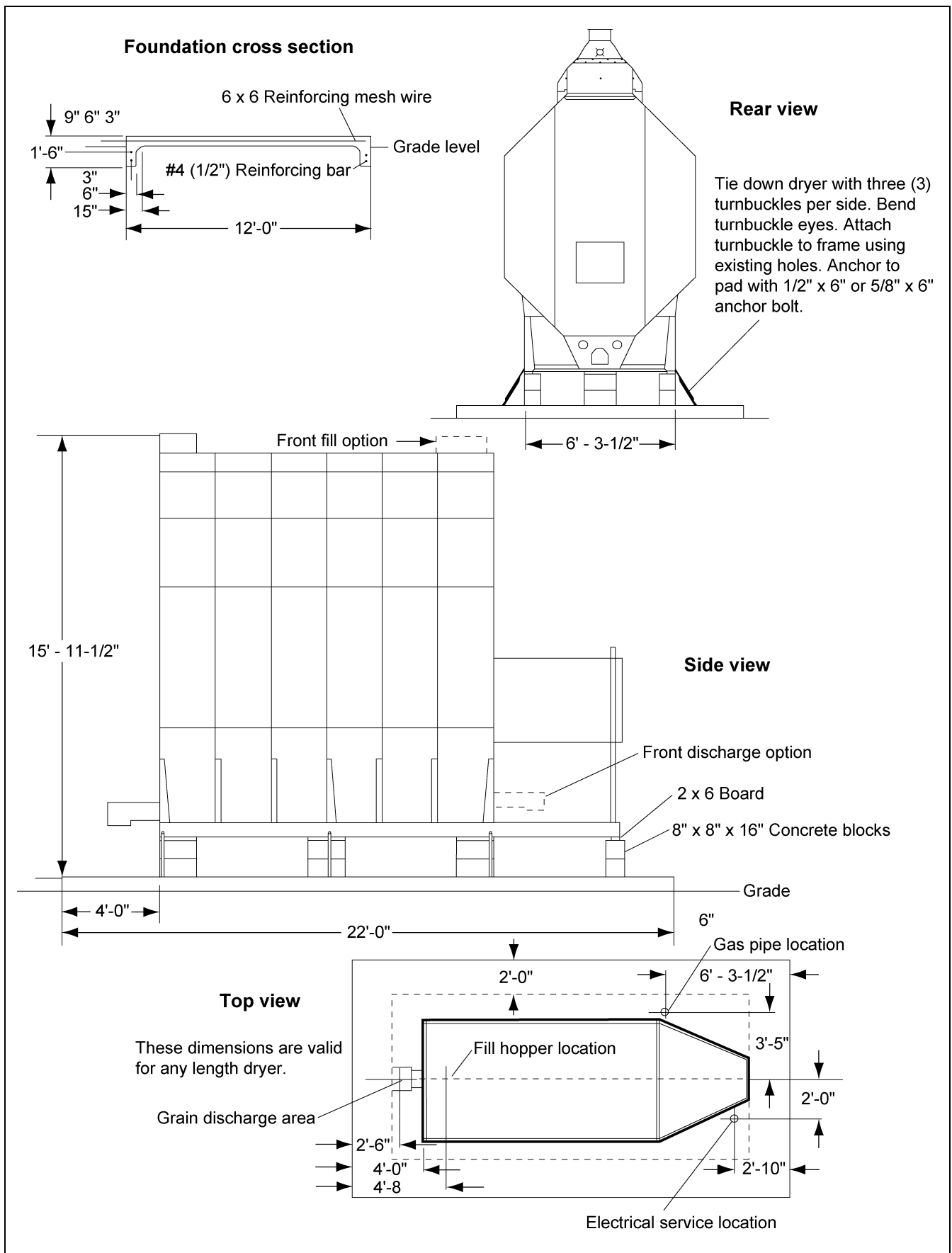


Figure 6A



## 7. Foundation Specifications for Dryer

### Minimum Bag Mix for Concrete Strength per Model Weight

Dryer Basket Length	6	8	10	12	14	16	18	20	22	26
Concrete Pad Size	12 x 16	12 x 18	12 x 20	12 x 22	12 x 24	12 x 26	12 x 28	12 x 30	12 x 32	12 x 36
Yards Concrete	5.3	5.9	6.5	7.1	7.7	8.3	8.9	9.2	10.1	11.3
Reinforcing Rods 20" each	6	6	7	7	7	8	8	8	9	10
Wire Mesh Sq. Ft.	192	216	240	264	288	312	336	360	384	432
Steel Legs (Minimum)	8	8	10	10	12	12	14	14	16	18
Anchors	4	4	4	6	6	6	8	8	8	10
Blocks	10	14	14	18	18	18	22	22	26	30
Foot of 2 x 6	10	14	14	18	18	18	22	22	26	30
Turnbuckles	4	4	4	6	6	6	8	8	8	10
Estimated Manhours	8	10	12	14	18	18	20	22	24	28

Quantities are approximate and requirements may vary due to site elevations.  
Setup times do not include site preparation and pouring concrete pad.

## 8. Fuel Connection

### Liquid Propane (LP)

#### Liquid Draw

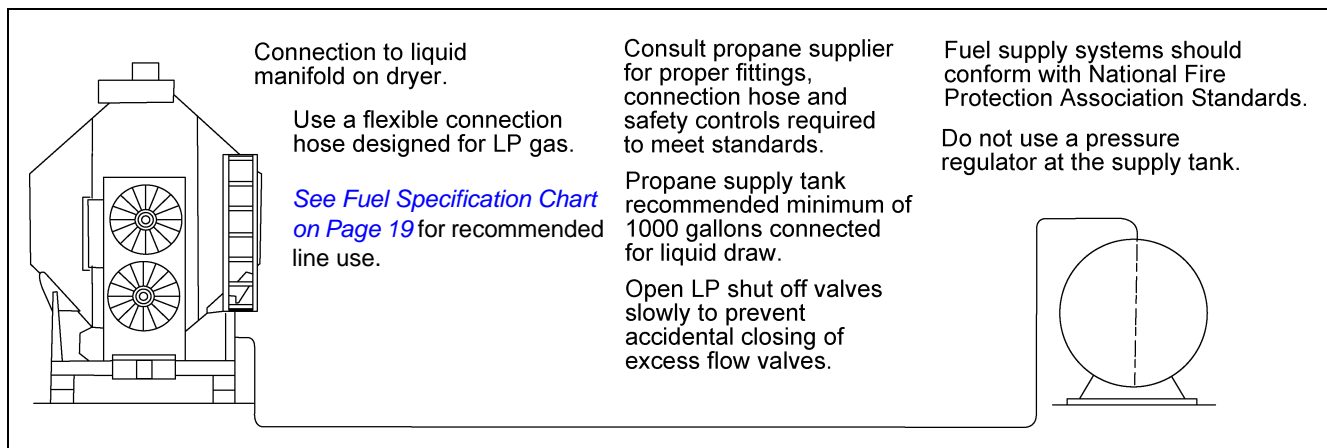
The dryers have internal vaporizers and are designed to operate on liquid draw from the supply tank. The tank should be 1000 gallons or larger and should not have a regulator mounted to it. The connection to the dryer should be with a flexible hose designed for LP gas, [See Chart on Page 19](#) for proper size. Consult your LP gas dealer for proper fittings, connection hose and safety controls required to meet local standards and to conform with National Fire Protection Association standards. The piping train on the dryer includes strainer, pressure relief valve, electronic safety shut off valve (on some models) and a pressure regulator between the vaporizer and burner.

#### Ammonia Tanks

Do not use tanks which have previously been used for ammonia or fertilizer solutions. These substances are extremely corrosive and will damage fuel supply and burner parts.

#### Oil or Water in Tanks

With liquid draw from the supply tank, any water or oil present in the tank may freeze in the pipe train or controls causing damage. To make sure the tank is free of moisture, it can be purged with methanol. Avoid tanks which may contain an accumulation of oil or heavy hydrocarbon from long use on a vapor withdrawal system.



**Figure 8A** Grain dryer connected to a liquid propane tank.

Fuel System Specifications and Recommendations (LP) Liquid Propane

Dryer Model #	Maximum Heat Capacity BTU Per Hour	Maximum Fuel Flow Gals Per Hour	Fuel Line Size*	Heater Orifice Drill Size
1108	3,000,000	33	1/2"	1/4"
1110	3,500,000	38	1/2"	9/32"
1112	4,500,000	49	1/2"	21/64"
1114	5,750,000	63	1/2"	11/32"
1116	5,750,000	63	1/2"	11/32"
1118	6,750,000	74	1/2"	3/8"
1120	7,500,000	82	1/2"	25/64"
1122	8,750,000	96	3/4"	7/16"
1126	10,250,000	112	3/4"	29/64"
1214	6,200,000	68	3/4"	(U)9/32" (L)7/32"
1216	7,200,000	79	3/4"	(U)21/64" (L)7/32"
1218	7,200,000	79	3/4"	(U)21/64" (L)7/32"
1220	8,500,000	93	3/4"	(U)11/32" (L)1/4"
1222	9,750,000	107	3/4"	(1)3/8" (1)1/4"
1226	10,500,000	115	3/4"	(1)25/64" (1)1/4"
1314	8,100,000	88	3/4"	(3)7/32"
1318	8,100,000	88	3/4"	(3)7/32"
1322	8,100,000	88	3/4"	(3)7/32"
160AB	3,000,000	33	1/2"	1/4"
210AB	3,500,000	33	1/2"	1/4"
300AB	4,500,000	49	1/2"	21/64"
375AB	5,500,000	60	1/2"	21/64"
400AB	5,500,000	60	1/2"	21/64"
415AB	7,000,000	66	1/2"	(2)9/32"
600AB	9,000,000	98	3/4"	(2)21/64"

\* The minimum size of the fuel line for distances of 30.48 m (100 ft.).

## Natural Gas (N)

### Gas Volume and Pressure

The dryer is designed to operate on natural gas having a heat value of approximately 1000 BTU per cubic foot. The dryer is equipped with a natural gas supply pipe system connected to the heater solenoid valves. A regulated pressure of 10 PSI must be provided at the connection to the dryer, with gas available in sufficient volume to maintain the operating pressure.

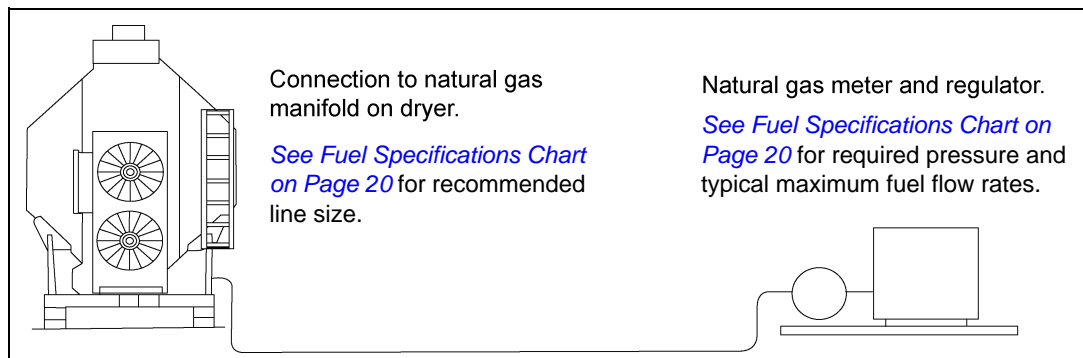


Figure 8B Grain dryer connected to a natural gas supply tank.

## 8. Fuel Connection

### Fuel System Specifications and Recommendations (N) Natural Gas

Dryer Model #	Maximum Heat Capacity BTU Per Hour	Maximum Fuel Flow Cubic Feet Per Hour	Fuel Line Size* (Dia.)	Heater Orifice Drill Size
1108	3,000,000	3,000	1-1/4"	3/8"
1110	3,500,000	3,500	1-1/4"	13/32"
1112	4,500,000	4,500	1-1/2"	1/2"
1114	5,750,000	5,750	1-1/2"	33/64"
1116	5,750,000	5,750	1-1/2"	33/64"
1118	6,750,000	6,750	2"	35/64"
1120	7,500,000	7,500	2"	37/64"
1122	8,750,000	8,750	2"	19/32"
1126	10,250,000	10,250	2"	41/64"
1214	6,200,000	6,200	1-1/2"	(1)13/32" (1)5/16"
1216	7,200,000	7,200	2"	(1)1/2" (1)5/16"
1218	7,200,000	7,200	2"	(1)1/2" (1)5/16"
1220	8,500,000	8,500	2"	(1)33/64" (1)3/8"
1222	9,750,000	9,750	2"	(1)35/64" (1)3/8"
1226	10,500,000	10,500	2"	(1)37/64" (1)3/8"
1214S	6,000,000	6,000	1-1/2"	(2)3/8"
1218S	6,000,000	6,000	1-1/2"	(2)13/32"
1220S	9,000,000	9,000	2"	(2)1/2"
1222S	9,000,000	9,000	2"	(2)1/2"
1226S	13,500,000	13,500	2"	(2)17/32"
1314	8,100,000	8,100	2"	(3)5/16"
1318	8,100,000	8,100	2"	(3)5/16"
1322	8,100,000	8,100	2"	(3)5/16"
160AB	3,000,000	3,000	1-1/4"	3/8"
210AB	3,500,000	3,500	1-1/4"	13/32"
300AB	4,500,000	4,500	1-1/2"	1/2"
375AB	5,500,000	5,500	1-1/2"	33/64"
400AB	5,500,000	5,500	1-1/2"	33/64"
415AB	7,000,000	7,000	2"	(2)13/32"
600AB	9,000,000	9,000	2"	(2)1/2"

\* The minimum size of the fuel line for distances of 30.48 m (100 ft.).



**Figure 8C** The fuel connection point is equipped with a Y-strainer and Maxon safety valve.

## Power Supply

An adequate power supply and proper wiring are important factors for maximum performance and long life of the dryer. Electrical service must be adequate to prevent low voltage damage to motors and control circuits. (See Electrical Load Information [on Pages 23-30](#).) Power supply for single phase models must include a neutral wire.

## Transformers and Wiring Voltage Drop

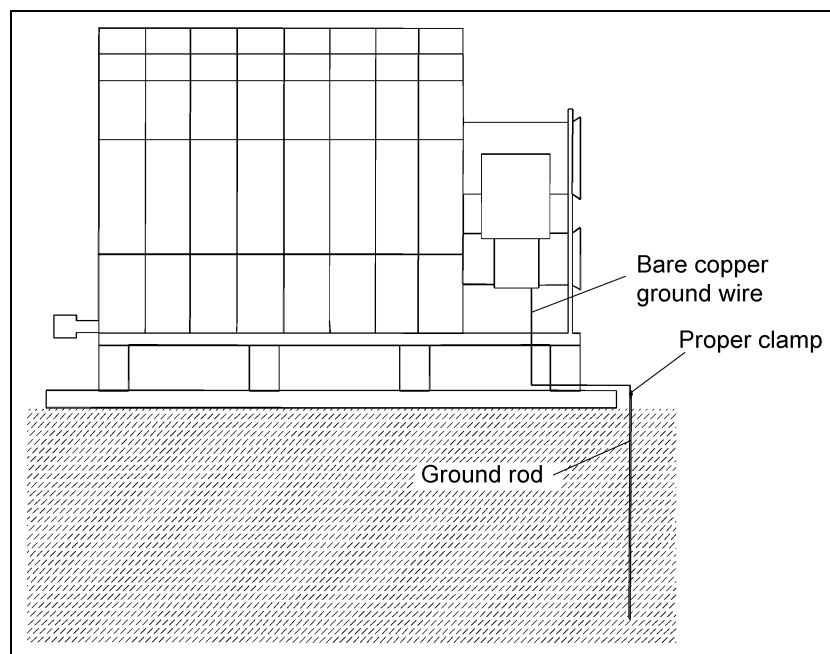
Advise the service representative of the local power supplier that an additional load will be placed on the line. Check the KVA rating of transformers, considering total horsepower load. The power supply wiring, main switch equipment and transformers must provide adequate motor starting and operating voltage. Voltage drop during motor starting should not exceed 14% of normal voltage. After motor is running at full speed, it should be within 8% of normal voltage. Check electrical load information ([See Pages 23-30](#)) for HP ratings and maximum amp loads.

## Power Supply Disconnect

All dryers are equipped with a power disconnect switch in the power box to permit total power shut down before opening the power box door, as required for inspection and service. The power disconnect switch is located on the power box door for quick shut down.

## Machine to Earth Grounding

A *Machine to Earth Ground Rod* must be installed at the dryer. Place the ground rod that comes standard within eight feet of the dryer and attach it to the dryer control panel with at least a #6 solid, bare, copper ground wire and the clamp provided. The grounding rod located at the power pole will not provide adequate grounding for the dryer. Proper grounding will provide additional safety in case of any short and will ensure long life of all circuit boards, the SCR drive and the ignition system. The ground rod must be in accordance with local requirements.



**Figure 9A** Installation of a ground rod (standard with dryer purchase) specifically for the grain dryer is necessary for safety and equipment preservation.

### Proper Installation of Ground Rod

The rod should not be driven into dry ground. Follow these instructions for proper installation.

1. Dig a hole large enough to hold one to two (2) gallons of water.
2. Fill hole with water.
3. Insert rod through water and “jab” it into the ground.
4. Continue “jabbing” the rod up and down. This allows the water to work its way into the ground, allowing it to be completely inserted into the ground. This method of installation also assures good contact with the surrounding soil, thereby making a proper ground.
5. Connect the bare, copper ground wire to the rod with the proper clamp.
6. Connect ground wire to control panel with the ground lug provided in the control box.
7. Ground wire must not have any breaks or splices. Do not use insulated wire for grounding applications.

### Connecting Auxiliary Conveyors

The auxiliary load and auxiliary unload augers or conveyors can be wired directly to the dryer. Electrical Load Information [on Pages 23-30](#) shows the maximum horse power and amps of auxiliaries that can be wired to the dryer. If an auxiliary motor is larger than recommended, it must be powered from a source outside the dryer and must use a separate contactor and overload protection device for each motor. However, the operation of the auxiliaries can be performed by the control panel.

## 10. Electrical Load Information

The following charts provide information for the electrician wiring the grain dryer and are a reference guide for parts. You should contact the local power company and have a representative survey the installation to see that the wiring is compatible with their system and that adequate power is supplied to the unit. Remember that the only thing connected to the recommended service amps should be the grain dryer.

Adhere to all electrical safety practices and codes. (Refer to the National Electrical Code Standard handbook by the National Fire Protection Association.) A qualified electrician must make all electrical wiring installations.

Dryer Model #	Voltage	Motor	HP	Fuel Load Amps	Maximum Amps with Auxiliaries	Minimum Amps	Recommended Service in Amps	Branch Breaker in Amps
1108	1 PH 230V	Top Auger	1.5	8	153	62.5	200	60
		Bottom Auger	1	6.5				60
		Fan	10 to 12	48				100
		(2) Auxiliary	(2) 7.5	62				*
	3 PH 220V	Top Auger	1.5	5	104	41.4	150	50
		Bottom Auger	1	3.4				50
		Fan	10 to 12	33				60
		(2) Auxiliary	(2) 7.5	40				*
	3 PH 440V	Top Auger	1.5	2.5	57	20.7	150	60
		Bottom Auger	1	1.7				60
		Fan	10 to 12	16.5				60
		(2) Auxiliary	(2) 7.5	20				*
1110	1 PH 230V	Top Auger	2	14	162	70	225	60
		Bottom Auger	1.5	8				60
		Fan	10 to 12	48				100
		(2) Auxiliary	(2) 7.5	62				*
	3 PH 220V	Top Auger	2	6.2	101	39.2	150	50
		Bottom Auger	1.5	5				50
		Fan	10	28				60
		(2) Auxiliary	(2) 7.5	40				*
	3 PH 440V	Top Auger	2	3.1	56	19.6	150	60
		Bottom Auger	1.5	2.5				60
		Fan	10	14				60
		(2) Auxiliary	(2) 7.5	20				*
1112	1 PH 230V	Top Auger	2	14	196	100	300	60
		Bottom Auger	1.5	8				60
		Fan	10 to 17	78				100
		(2) Auxiliary	(2) 7.5	62				*
	3 PH 220V	Top Auger	2	6.2	114	50.2	175	50
		Bottom Auger	1.5	5				50
		Fan	15	39				60
		(2) Auxiliary	(2) 7.5	40				*
	3 PH 440V	Top Auger	2	3.1	62	25.1	150	60
		Bottom Auger	1.5	2.5				60
		Fan	15	19.5				60
		(2) Auxiliary	(2) 7.5	20				*

\*Auxiliaries run through load and unload breakers.  
Subject to change without notification.

## 10. Electrical Load Information

Dryer Model #	Voltage	Motor	HP	Fuel Load Amps	Maximum Amps with Auxiliaries	Minimum Amps	Recommended Service in Amps	Branch Breaker in Amps
1114	1 PH 230V	Top Auger	5	26	231	130	350	100
		Bottom Auger	5	26				100
		Fan	10 to 17	78				100
		(2) Auxiliary	(2) 7.5	62				*
	3 PH 220V	Top Auger	5	13.2	145	65.4	200	60
		Bottom Auger	5	13.2				60
		Fan	15	39				60
		(2) Auxiliary	(2) 10	52				*
	3 PH 440V	Top Auger	5	6.6	78	32.7	150	60
		Bottom Auger	5	6.6				60
		Fan	15	19.5				60
		(2) Auxiliary	(2) 10	26				*
1116	1 PH 230V	Top Auger	5	26	231	130	350	100
		Bottom Auger	5	26				100
		Fan	10 to 17	78				100
		(2) Auxiliary	(2) 7.5	62				*
	3 PH 220V	Top Auger	5	13.2	145	65.4	200	60
		Bottom Auger	5	13.2				60
		Fan	15	39				60
		(2) Auxiliary	(2) 10	52				*
	3 PH 440V	Top Auger	5	6.6	78	32.7	150	60
		Bottom Auger	5	6.6				60
		Fan	15	19.5				60
		(2) Auxiliary	(2) 10	26				*
1118	3 PH 220V	Top Auger	5	13.2	158	76.4	250	60
		Bottom Auger	5	13.2				60
		Fan	20	50				90
		(2) Auxiliary	(2) 10	52				*
	3 PH 440V	Top Auger	5	6.6	84	38.2	150	60
		Bottom Auger	5	6.6				60
		Fan	20	25				60
		(2) Auxiliary	(2) 10	26				*
1120	3 PH 220V	Top Auger	7.5	20	219	104	300	90
		Bottom Auger	7.5	20				90
		Fan	25	64				90
		(2) Auxiliary	(2) 15	78				*
	3 PH 440V	Top Auger	7.5	10	115	52	200	60
		Bottom Auger	7.5	10				60
		Fan	25	32				60
		(2) Auxiliary	(2) 15	39				*
1122	3 PH 220V	Top Auger	7.5	20	231	114	300	90
		Bottom Auger	7.5	20				90
		Fan	30	74				90
		(2) Auxiliary	(2) 15	78				*
	3 PH 440V	Top Auger	7.5	10	120	57	200	60
		Bottom Auger	7.5	10				60
		Fan	30	37				60
		(2) Auxiliary	(2) 15	39				*

\*Auxiliaries run through load and unload breakers.



## 10. Electrical Load Information

Dryer Model #	Voltage	Motor	HP	Fuel Load Amps	Maximum Amps with Auxiliaries	Minimum Amps	Recommended Service in Amps	Branch Breaker in Amps
1126	3 PH 220V	Top Auger	10	26	277	154	400	90
		Bottom Auger	10	26				90
		Fan	40	102				125
		(2) Auxiliary	(2) 15	78				*
	3 PH 440V	Top Auger	10	13	143	77	250	60
		Bottom Auger	10	13				60
		Fan	40	51				90
		(2) Auxiliary	(2) 15	39I				*
1214	1 PH 230V	Top Auger	5	26	252	148	300	100
		Bottom Auger	5	26				100
		Top Fan	10 to 12	48				100
		Bottom Fan	10 to 12	48				100
		(2) Auxiliary	(2) 7.5	62				*
	3 PH 220V	Top Auger	5	13.2	170	87.4	225	60
		Bottom Auger	5	13.2				60
		Top Fan	10	28				60
		Bottom Fan	10 to 12	33				60
		(2) Auxiliary	(2) 10	52				*
	3 PH 440V	Top Auger	5	6.6	90	43.7	150	60
		Bottom Auger	5	6.6				60
		Top Fan	10	14				60
		Bottom Fan	10 to 12	16.5				60
		(2) Auxiliary	(2) 10	26				*
	1216	1 PH 230V	Top Auger	5	26	286	178	400
Bottom Auger			5	26	100			
Top Fan			10 to 17	78	100			
Bottom Fan			10 to 12	48	100			
(2) Auxiliary			(2) 7.5	62	*			
3 PH 220V		Top Auger	5	13.2	183	98.4	225	60
		Bottom Auger	5	13.2				60
		Top Fan	15	39				60
		Bottom Fan	10 to 12	33				60
		(2) Auxiliary	(2) 10	52				*
3 PH 440V		Top Auger	5	6.6	96	49.2	150	60
		Bottom Auger	5	6.6				60
		Top Fan	15	19.5				60
		Bottom Fan	10 to 12	16.5				60
		(2) Auxiliary	(2) 10	26				*

\*Auxiliaries run through load and unload breakers.

## 10. Electrical Load Information

Dryer Model #	Voltage	Motor	HP	Fuel Load Amps	Maximum Amps with Auxiliaries	Minimum Amps	Recommended Service in Amps	Branch Breaker in Amps
1218	1 PH 230V	Top Auger	5	26	286	178	400	100
		Bottom Auger	5	26				100
		Top Fan	10 to 17	78				100
		Bottom Fan	10 to 12	48				100
		(2) Auxiliary	(2) 7.5	62				*
	3 PH 220V	Top Auger	5	13.2	183	98.4	225	60
		Bottom Auger	5	13.2				60
		Top Fan	15	39				60
		Bottom Fan	10 to 12	33				60
		(2) Auxiliary	(2) 10	52				*
	3 PH 440V	Top Auger	5	6.6	96	49.2	150	60
		Bottom Auger	5	6.6				60
		Top Fan	15	19.5				60
		Bottom Fan	10 to 12	16.5				60
		(2) Auxiliary	(2) 10	26				*
1220	1 PH 230V	Top Auger	7.5	31	298	188	400	100
		Bottom Auger	7.5	31				100
		Top Fan	10 to 17	78				100
		Bottom Fan	10 to 12	48				100
		(2) Auxiliary	(2) 7.5	62				*
	3 PH 220V	Top Auger	7.5	20	229	112	300	90
		Bottom Auger	7.5	20				90
		Top Fan	15	39				60
		Bottom Fan	10 to 12	33				60
		(2) Auxiliary	(2) 15	78				*
	3 PH 440V	Top Auger	7.5	10	123	59	200	60
		Bottom Auger	7.5	10				60
		Top Fan	15	19.5				60
		Bottom Fan	10 to 12	16.5				60
		(2) Auxiliary	(2) 15	39				*
1222	3 PH 220V	Top Auger	7.5	20	241	123	350	90
		Bottom Auger	7.5	20				90
		Top Fan	20	50				90
		Bottom Fan	10 to 12	33				60
		(2) Auxiliary	(2) 15	78				*
	3 PH 440V	Top Auger	7.5	10	129	64.5	200	60
		Bottom Auger	7.5	10				60
		Top Fan	20	25				60
		Bottom Fan	10 to 12	16.5				60
		(2) Auxiliary	(2) 15	39				*
1226	3 PH 220V	Top Auger	10	26	271	149	350	90
		Bottom Auger	10	26				90
		Top Fan	25	64				90
		Bottom Fan	10 to 12	33				60
		(2) Auxiliary	(2) 15	78				*
	3 PH 440V	Top Auger	10	13	144	77.5	200	60
		Bottom Auger	10	13				60
		Top Fan	25	32				60
		Bottom Fan	10 to 12	16.5				60
		(2) Auxiliary	(2) 15	39				*

\*Auxiliaries run through load and unload breakers.

## 10. Electrical Load Information

Dryer Model #	Voltage	Motor	HP	Fuel Load Amps	Maximum Amps with Auxiliaries	Minimum Amps	Recommended Service in Amps	Branch Breaker in Amps
1214S	1 PH 230V	Top Auger	5	26	252	148	350	C303B 100
		Bottom Auger	5	26				C303B 100
		(2) Fans	(2) 10 to 12	96				F614B 100
		(2) Auxiliary	(2) 7.5	62				C330B *
	3 PH 220V	Top Auger	5	13.2	176	92.4	225	C163B 60
		Bottom Auger	5	13.2				C163B 60
		(2) Fans	(2) 10 to 12	66				C366B 60
		(2) Auxiliary	(2) 10	52				C303B *
	3 PH 440V	Top Auger	5	6.6	93	46.2	150	C867A 60
		Bottom Auger	5	6.6				C867A 60
		(2) Fans	(2) 10 to 12	33				C180B 60
		(2) Auxiliary	(2) 10	26				C163B *
1218S	1 PH 230V	Top Auger	5	26	252	148	350	100
		Bottom Auger	5	26				100
		(2) Fans	(2) 10 to 12	96				100
		(2) Auxiliary	(2) 7.5	62				*
	3 PH 220V	Top Auger	5	13.2	165	82.4	225	60
		Bottom Auger	5	13.2				60
		(2) Fans	(2) 10	56				60
		(2) Auxiliary	(2) 10	52				*
	3 PH 440V	Top Auger	5	6.6	87	41.2	150	60
		Bottom Auger	5	6.6				60
		(2) Fans	(2) 10	28				60
		(2) Auxiliary	(2) 10	26				*
1220S	1 PH 230V	Top Auger	7.5	31	332	218	400	100
		Bottom Auger	7.5	31				100
		(2) Fans	(2) 10 to 17	156				100
		(2) Auxiliary	(2) 7.5	62				*
	3 PH 220V	Top Auger	7.5	20	235	118	300	90
		Bottom Auger	7.5	20				90
		(2) Fans	(2) 15	78				60
		(2) Auxiliary	(2) 15	78				*
	3 PH 440V	Top Auger	7.5	10	123	59	200	60
		Bottom Auger	7.5	10				60
		(2) Fans	(2) 15	39				60
		(2) Auxiliary	(2) 15	39				*
1222S	1 PH 230V	Top Auger	7.5	31	332	218	400	100
		Bottom Auger	7.5	31				100
		(2) Fans	(2) 10 to 17	156				100
		(2) Auxiliary	(2) 7.5	62				*
	3 PH 220V	Top Auger	7.5	20	235	118	300	90
		Bottom Auger	7.5	20				90
		(2) Fans	(2) 15	78				60
		(2) Auxiliary	(2) 15	78				*
	3 PH 440V	Top Auger	7.5	10	123	59	200	60
		Bottom Auger	7.5	10				60
		(2) Fans	(2) 15	39				60
		(2) Auxiliary	(2) 15	39				*

\*Auxiliaries run through load and unload breakers.

## 10. Electrical Load Information

Dryer Model #	Voltage	Motor	HP	Fuel Load Amps	Maximum Amps with Auxiliaries	Minimum Amps	Recommended Service in Amps	Branch Breaker in Amps
1226S	3 PH 220V	Top Auger	10	26	307	180	400	90
		Bottom Auger	10	26				90
		(2) Fans	(2) 25	128				90
		(2) Auxiliary	(2) 15	78				*
	3 PH 440V	Top Auger	10	13	158	90	200	60
		Bottom Auger	10	13				60
		(2) Fans	(2) 25	64				60
		(2) Auxiliary	(2) 15	39				*
1314 1318	1 PH 230V	Top Auger	5	26	307	196	400	100
		Bottom Auger	5	26				100
		Top Fan	10 to 12	48				100
		Mid.Fan	10 to 12	48				100
		Bottom Fan	10 to 12	48				100
		(2) Auxiliary	(2) 7.5	62				*
	3 PH 220V	Top Auger	5	13.2	214	125.4	250	60
		Bottom Auger	5	13.2				60
		Top Fan	10 to 12	33				60
		Mid.Fan	10 to 12	33				60
		Bottom Fan	10 to 12	33				60
		(2) Auxiliary	(2) 10	52				*
	3 PH 440V	Top Auger	5	6.6	112	62.7	200	60
		Bottom Auger	5	6.6				60
		Top Fan	10 to 12	16.5				60
		Mid.Fan	10 to 12	16.5				60
		Bottom Fan	10 to 12	16.5				60
		(2) Auxiliary	(2) 10	26				*
1322	1 PH 230V	Top Auger	7.5	31	318	206	400	100
		Bottom Auger	7.5	31				100
		Top Fan	10 to 12	48				100
		Mid.Fan	10 to 12	48				100
		Bottom Fan	10 to 12	48				100
		(2) Auxiliary	(2) 7.5	62				*
	3 PH 220V	Top Auger	7.5	20	260	139	350	90
		Bottom Auger	7.5	20				90
		Top Fan	10 to 12	33				60
		Mid.Fan	10 to 12	33				60
		Bottom Fan	10 to 12	33				60
		(2) Auxiliary	(2) 15	78				*
	3 PH 440V	Top Auger	7.5	10	135	69.5	200	60
		Bottom Auger	7.5	10				60
		Top Fan	10 to 12	16.5				60
		Mid.Fan	10 to 12	16.5				60
		Bottom Fan	10 to 12	16.5				60
		(2) Auxiliary	(2) 15	39				*

\*Auxiliaries run through load and unload breakers.

## 10. Electrical Load Information

Dryer Model #	Voltage	Motor	HP	Fuel Load Amps	Maximum Amps with Auxiliaries	Minimum Amps	Recommended Service in Amps	Branch Breaker in Amps
160AB	1 PH 230V	Top Auger	1	6.5	151	61	200	50
		Bottom Auger	1	6.5				50
		Fan	10 to 12	48				60
		(2) Auxiliary	(2) 7.5	62				*
	3 PH 220V	Top Auger	1	3.4	102	39.8	150	60
		Bottom Auger	1	3.4				60
		Fan	10 to 12	33				60
		(2) Auxiliary	(2) 7.5	40				*
	3 PH 440V	Top Auger	1	1.7	56	19.9	150	60
		Bottom Auger	1	1.7				60
		Fan	10 to 12	16.5				60
		(2) Auxiliary	(2) 7.5	20				*
210AB	1 PH 230V	Top Auger	2	14	169	76	225	60
		Bottom Auger	2	14				60
		Fan	10 to 12	48				100
		(2) Auxiliary	(2) 7.5	62				*
	3 PH 220V	Top Auger	2	6.2	102	40.4	150	50
		Bottom Auger	2	6.2				50
		Fan	10	28				60
		(2) Auxiliary	(2) 7.5	40				*
	3 PH 440V	Top Auger	2	3.1	56	20.2	150	60
		Bottom Auger	2	3.1				60
		Fan	10	14				60
		(2) Auxiliary	(2) 7.5	20				*
300AB	1 PH 230V	Top Auger	3	17.7	212	113.4	300	60
		Bottom Auger	3	17.7				60
		Fan	10 to 17	78				100
		(2) Auxiliary	(2) 7.5	62				*
	3 PH 220V	Top Auger	3	8.6	121	56.2	175	60
		Bottom Auger	3	8.6				60
		Fan	15	39				60
		(2) Auxiliary	(2) 7.5	40				*
	3 PH 440V	Top Auger	3	4.3	65	28.1	150	60
		Bottom Auger	3	4.3				60
		Fan	15	19.5				60
		(2) Auxiliary	(2) 7.5	20				*
375AB	1 PH 230V	Top Auger	3	17.7	212	113.4	300	60
		Bottom Auger	3	17.7				60
		Fan	10 to 17	78				100
		(2) Auxiliary	(2) 7.5	62				*
	3 PH 220V	Top Auger	3	8.6	121	56.2	175	60
		Bottom Auger	3	8.6				60
		Fan	15	39				60
		(2) Auxiliary	(2) 7.5	40				*
	3 PH 440V	Top Auger	3	4.3	65	28.1	150	60
		Bottom Auger	3	4.3				60
		Fan	15	19.5				60
		(2) Auxiliary	(2) 7.5	20				*

\*Auxiliaries run through load and unload breakers.

## 10. Electrical Load Information

Dryer Model #	Voltage	Motor	HP	Fuel Load Amps	Maximum Amps with Auxiliaries	Minimum Amps	Recommended Service in Amps	Branch Breaker in Amps
400AB	1 PH 230V	Top Auger	5	26	231	130	350	100
		Bottom Auger	5	26				100
		Fan	10 to 17	78				100
		(2) Auxiliary	(2) 7.5	62				*
	3 PH 220V	Top Auger	5	13.2	145	65.4	200	60
		Bottom Auger	5	13.2				60
		Fan	15	39				60
		(2) Auxiliary	(2) 10	52				*
	3 PH 440V	Top Auger	5	6.6	78	32.7	150	60
		Bottom Auger	5	6.6				60
		Fan	15	19.5				60
		(2) Auxiliary	(2) 10	26				*
415AB	1 PH 230V	Top Auger	5	26	252	148	350	100
		Bottom Auger	5	26				100
		Fan	(2) 10 to 12	96				100
		(2) Auxiliary	(2) 7.5	62				*
	3 PH 220V	Top Auger	5	13.2	165	82.4	225	60
		Bottom Auger	5	13.2				60
		Fan	(2) 10	56				60
		(2) Auxiliary	(2) 10	52				*
	3 PH 440V	Top Auger	5	6.6	82	41.2	150	60
		Bottom Auger	5	6.6				60
		Fan	(2) 10	28				60
		(2) Auxiliary	(2) 10	26				*
600AB	1 PH 230V	Top Auger	7.5	31	332	218	400	100
		Bottom Auger	7.5	31				100
		Fan	(2) 10 to 17	156				100
		(2) Auxiliary	(2) 7.5	62				*
	3 PH 220V	Top Auger	7.5	20	235	118	300	90
		Bottom Auger	7.5	20				90
		Fan	(2) 15	78				60
		(2) Auxiliary	(2) 15	78				*
	3 PH 440V	Top Auger	7.5	10	123	59	200	60
		Bottom Auger	7.5	10				60
		Fan	(2) 15	39				60
		(2) Auxiliary	(2) 15	39				*

\*Auxiliaries run through load and unload breakers.

## GSI Group, LLC Limited Warranty

The GSI Group, LLC ("GSI") warrants products which it manufactures to be free of defects in materials and workmanship under normal usage and conditions for a period of 12 months after sale to the original end-user or if a foreign sale, 14 months from arrival at port of discharge, whichever is earlier. The end-user's sole remedy (and GSI's only obligation) is to repair or replace, at GSI's option and expense, products that in GSI's judgment, contain a material defect in materials or workmanship. Expenses incurred by or on behalf of the end-user without prior written authorization from the GSI Warranty Group shall be the sole responsibility of the end-user.

### Warranty Extensions:

The Limited Warranty period is extended for the following products:

	Product	Warranty Period	
<b>AP Fans and Flooring</b>	Performer Series Direct Drive Fan Motor	3 Years	* Warranty prorated from list price: 0 to 3 years - no cost to end-user 3 to 5 years - end-user pays 25% 5 to 7 years - end-user pays 50% 7 to 10 years - end-user pays 75%
	All Fiberglass Housings	Lifetime	
	All Fiberglass Propellers	Lifetime	
<b>Cumberland Feeding/Watering Systems</b>	Feeder System Pan Assemblies	5 Years **	** Warranty prorated from list price: 0 to 3 years - no cost to end-user 3 to 5 years - end-user pays 50%
	Feed Tubes (1-3/4" and 2.00")	10 Years *	
	Centerless Augers	10 Years *	
	Watering Nipples	10 Years *	
<b>Grain Systems</b>	Grain Bin Structural Design	5 Years	† Motors, burner components and moving parts not included. Portable dryer screens included. Tower dryer screens not included.
<b>Grain Systems Farm Fans Zimmerman</b>	Portable and Tower Dryers	2 Years	
	Portable and Tower Dryer Frames and Internal Infrastructure †	5 Years	

GSI further warrants that the portable and tower dryer frame and basket, excluding all auger and auger drive components, shall be free from defects in materials for a period of time beginning on the twelfth (12<sup>th</sup>) month from the date of purchase and continuing until the sixtieth (60<sup>th</sup>) month from the date of purchase (extended warranty period). During the extended warranty period, GSI will replace the frame or basket components that prove to be defective under normal conditions of use without charge, excluding the labor, transportation, and/or shipping costs incurred in the performance of this extended warranty.

### Conditions and Limitations:

THERE ARE NO WARRANTIES THAT EXTEND BEYOND THE LIMITED WARRANTY DESCRIPTION SET FORTH ABOVE. SPECIFICALLY, GSI MAKES NO FURTHER WARRANTY OF ANY KIND, EXPRESS OR IMPLIED, INCLUDING, WITHOUT LIMITATION, WARRANTIES OF MERCHANTABILITY OR FITNESS FOR A PARTICULAR PURPOSE OR USE IN CONNECTION WITH: (I) PRODUCT MANUFACTURED OR SOLD BY GSI OR (II) ANY ADVICE, INSTRUCTION, RECOMMENDATION OR SUGGESTION PROVIDED BY AN AGENT, REPRESENTATIVE OR EMPLOYEE OF GSI REGARDING OR RELATED TO THE CONFIGURATION, INSTALLATION, LAYOUT, SUITABILITY FOR A PARTICULAR PURPOSE, OR DESIGN OF SUCH PRODUCTS.

GSI shall not be liable for any direct, indirect, incidental or consequential damages, including, without limitation, loss of anticipated profits or benefits. The sole and exclusive remedy is set forth in the Limited Warranty, which shall not exceed the amount paid for the product purchased. This warranty is not transferable and applies only to the original end-user. GSI shall have no obligation or responsibility for any representations or warranties made by or on behalf of any dealer, agent or distributor.

GSI assumes no responsibility for claims resulting from construction defects or unauthorized modifications to products which it manufactured. Modifications to products not specifically delineated in the manual accompanying the equipment at initial sale will void the Limited Warranty.

This Limited Warranty shall not extend to products or parts which have been damaged by negligent use, misuse, alteration, accident or which have been improperly/inadequately maintained. This Limited Warranty extends solely to products manufactured by GSI.

Prior to installation, the end-user has the responsibility to comply with federal, state and local codes which apply to the location and installation of products manufactured or sold by GSI.

This equipment shall be installed in accordance with the current installation codes and applicable regulations, which should be carefully followed in all cases. Authorities having jurisdiction should be consulted before installations are made.

**G S I G R O U P**



**GSI Group**  
**1004 E. Illinois St.**  
**Assumption, IL 62510-0020**  
**Phone: 1-217-226-4421**  
**Fax: 1-217-226-4420**  
**[www.gsiag.com](http://www.gsiag.com)**