



Removal

1. Remove the moisture sensor housing (A) assembly from the tower dryer. (See Figure 1.)

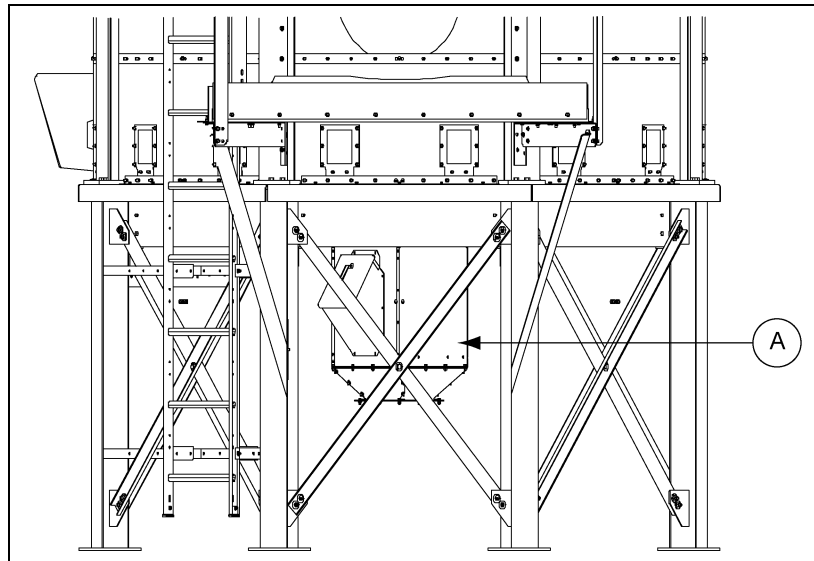


Figure 1

Ref #	Description
A	Moisture Sensor Housing

2. Remove the master box top panel from the moisture sensor housing (A).
3. Remove the moisture sensor inner guard (C) and grate rods (B) from the moisture sensor housing (A). (See Figure 2.)

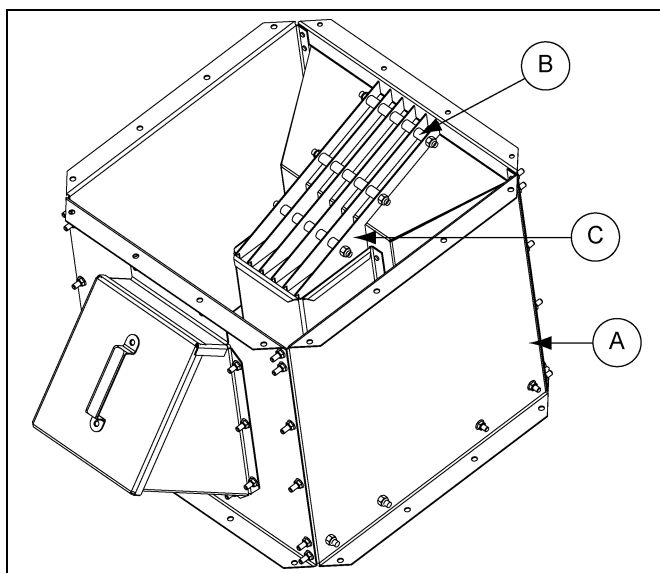


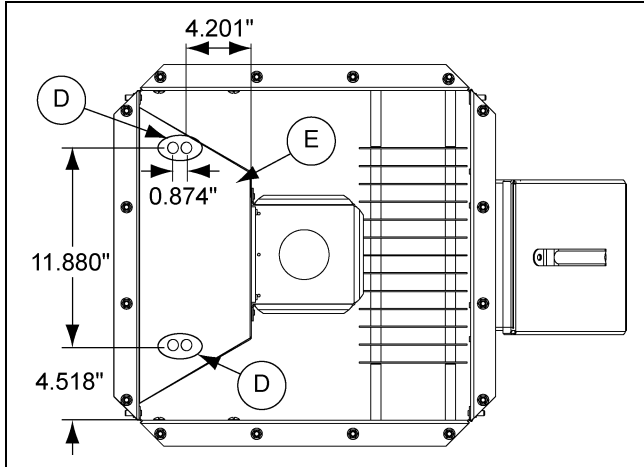
Figure 2

Ref #	Part #	Description
B	806-1715-2	Grate Rod
C	801-2396-1	Moisture Sensor Inner Guard



Moisture Sampler Guard Retrofit Kit Assembly Instructions

4. Drill four (4) holes (diameter 0.344"), on the dryer master box front panel (E) as shown in *Figure 3*.



Ref #	Part #	Description
D		Drill holes (diameter 0.344") to install the hinge plate
E	801-2377-1	Dryer Master Box Front Panel

Figure 3

5. Install the moisture sensor hinge plate (G) on the front panel with the two (2) 5/16" screws (K) and nuts (L).

6. Install the moisture sensor guard (F) on the hinge plate (G) with the bolt (H), nylon washer (J) and nut (I). (*See Figure 4.*)

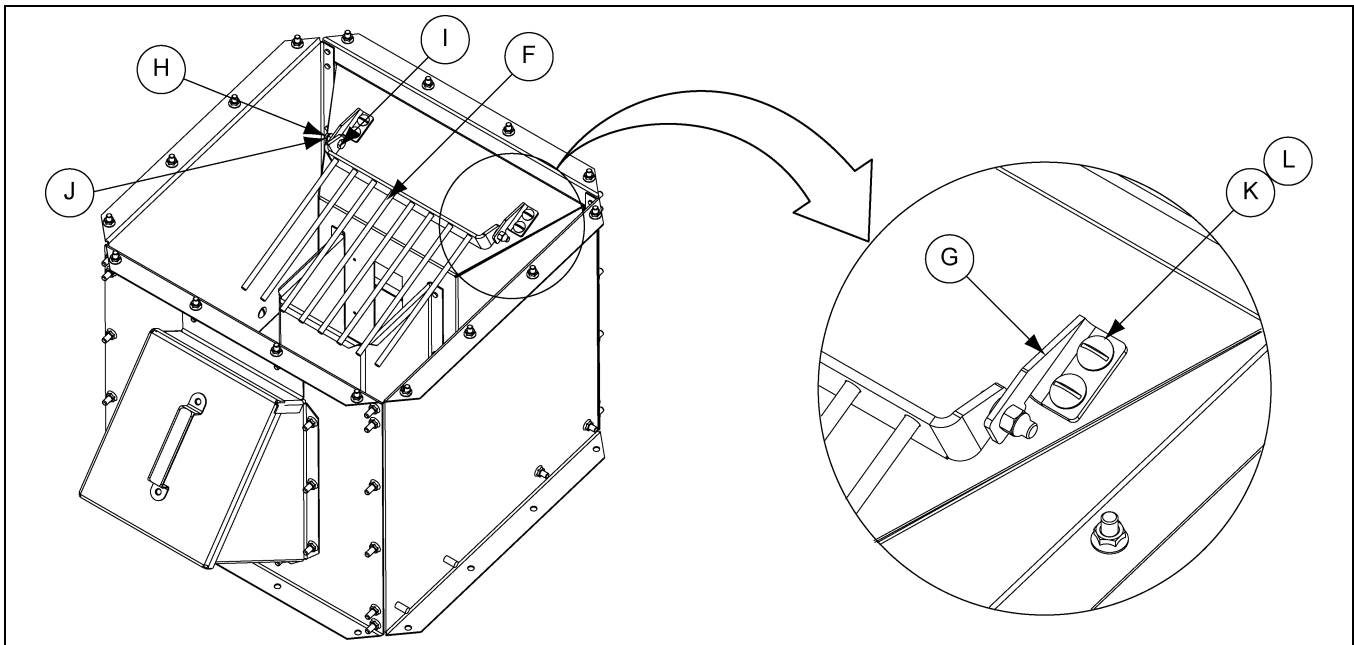


Figure 4

Ref #	Part #	Description
F	GT1-2305	Moisture Sensor Guard
G	GT1-2304	Hinge Plate
H	S-1196	Bolt, HHCS 5/16"-18 x 1" ZN Grade 5
I	S-7382	Nylock Nut 5/16"-18 ZN Grade 5

Ref #	Part #	Description
J	12-0319	Nylon Washer
K	S-6620	5/16"-18 x 3/4" Screw
L	S-3611	Flange Nut 5/16"-18 YDP Grade 2

7. Install the master box top panel on the moisture sensor housing.

8. Install the moisture sensor housing assembly on the tower dryer.