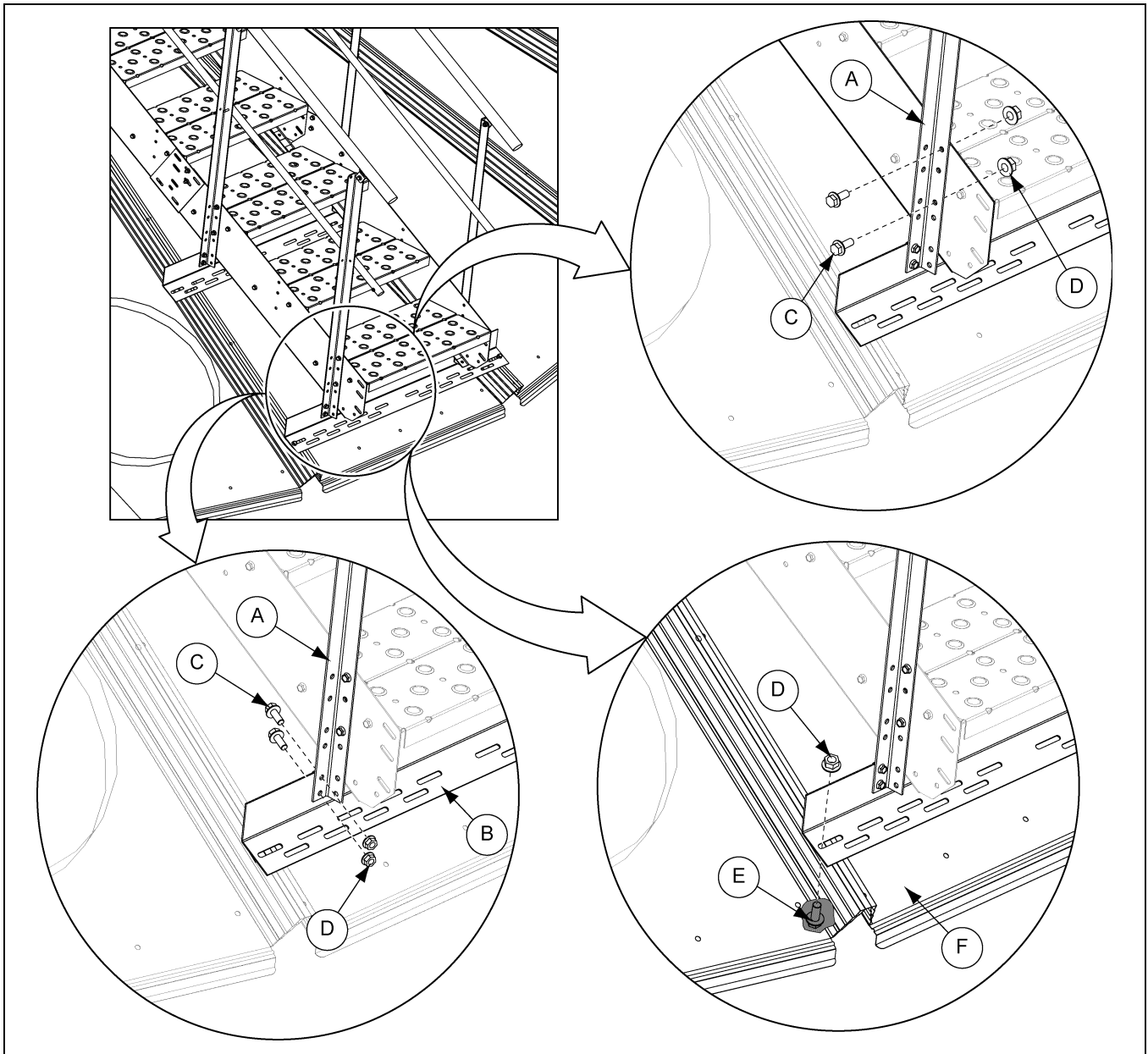




1004 East Illinois Street • Assumption, IL 62510 • 1-217-226-4421

Instructions Tower Dryer Roof Stairs Eave Component Placement Instructions



Ref #	Part #	Description
A	RFS-0048	Roof Stairs Handrail Post
B	RFS-0001	Roof Stairs to Panel Bracket
C	S-6606	Flange Bolt 5/16"-18 x 3/4" ZN Clear Grade 5
D	S-3611	Flange Nut 5/16"-18 YDP Grade 2
E		Roof Bolt
F		Roof Panel

Date: 04-24-17

V1.1

Printed in the U.S.A.
Copyright © 2017 by The GSI Group, LLC
www.gsiag.com



PNEG-2142

Page 1 of 1

CN-329272