



## Single Module, 1 Fan

1. Drill five (5) 3/8" holes in front fan support as shown in [Figure 1 on Page 2](#).
2. Mount both angle supports (D01-2706) to front fan support using 3/8" flange bolts and flange nuts (S-9065 and S-10028) as shown in [Figure 2 on Page 2](#). On the top angle support the outside hole will use an eye bolt (S-7062) and two (2) hex nuts (S-7525) each. ([See Figure 1 on Page 2](#).)
3. Attach four (4) corner gussets (D01-2708) to each end of both angle supports. ([See Figure 1 on Page 2](#).)
4. Attach the first two (2) panels to the corner gussets using 3/8" flange bolts and flange nuts.
5. Attach the next four (4) corner gussets to the panels, one on top and bottom of each panel.
6. Attach the final two (2) panels to the corner gussets and connect in the middle with the locking strap (D01-2707).
7. Attach one eye bolt (S-7062) to the bottom corner gusset in each of the front corners using two (2) hex nuts (S-7525) for each eye bolt. ([See Figure 4 on Page 3](#).)
8. Attach both turnbuckles to the eye bolts. The turnbuckles should be loosened enough to allow for 3"-6" of adjustment. ([See Figure 4 on Page 3](#).)
9. Attach both cables, one per side, to the turnbuckle at the bottom and the corresponding eye bolt on the top using the eight (8) cable clamps (S-8762) provided. (Four (4) on each cable.) ([See Figure 4 on Page 3](#).)
10. Adjust both turnbuckles until noise suppressor is level.

## Single Module, 2 Fan

1. Drill five (5) 3/8" holes in front fan support as shown in [Figure 3 on Page 3](#).
2. Mount both angle supports (D01-2706) to front fan support using 3/8" flange bolts and flange nuts (S-9065 and S-10028) as shown in [Figure 5 on Page 4](#). On the top angle support the outside hole will use an eye bolt (S-7062) and two (2) hex nuts (S-7525) each. ([See Figure 3 on Page 3](#).)
3. Attach four (4) corner gussets (D01-2708) to each end of both angle supports. ([See Figure 3 on Page 3](#).)
4. Attach the first four (4) panels to the corner gussets using the shims (D01-2704) between the panels. Use 3/8" flange bolts and flange nuts.
5. Attach the next six (6) corner gussets to the panels, one at the top, bottom and middle on each side.
6. Attach the final four (4) panels to the corner gussets and connect in the middle with the three (3) locking straps (D01-2707).
7. Attach one eye bolt (S-7062) to the bottom corner gusset in each of the front corners using two (2) hex nuts (S-7525) for each eye bolt. ([See Figure 4 on Page 3](#).)
8. Attach both turnbuckles to the eye bolts. The turnbuckles should be loosened enough to allow for 3"-6" of adjustment. ([See Figure 4 on Page 3](#).)
9. Attach both cables, one per side, to the turnbuckle at the bottom and the corresponding eye bolt on the top using the eight (8) cable clamps (S-8762) provided. (Four (4) on each cable.) ([See Figure 4 on Page 3](#).)
10. Adjust both turnbuckles until noise suppressor is level.



# Single Module Noise Suppressor Installation Instructions

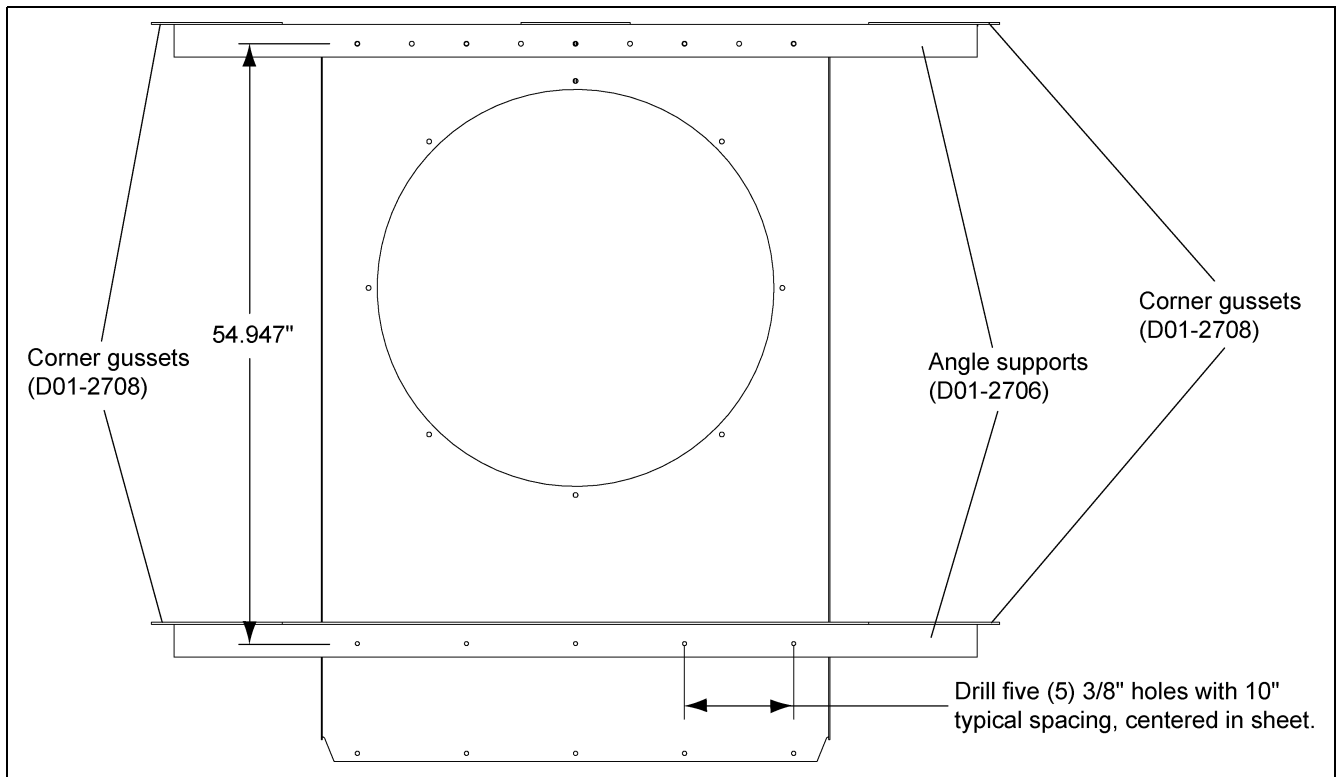


Figure 1

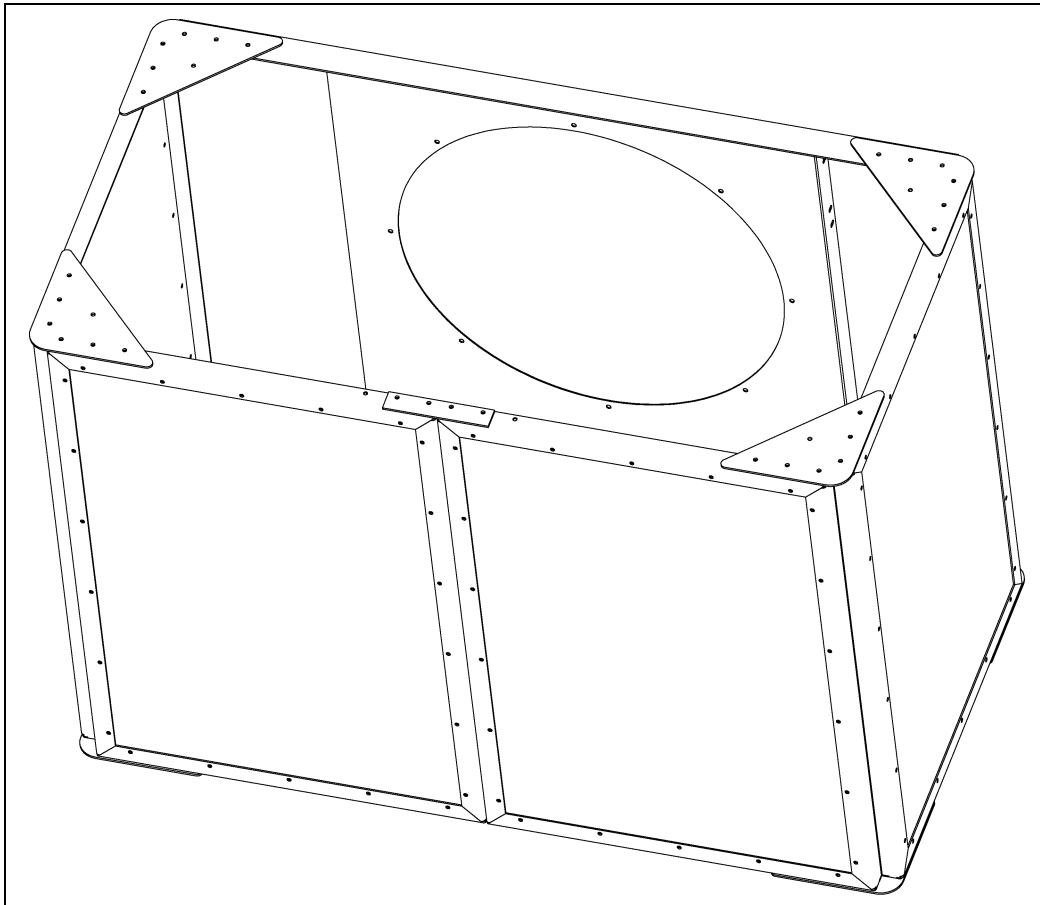
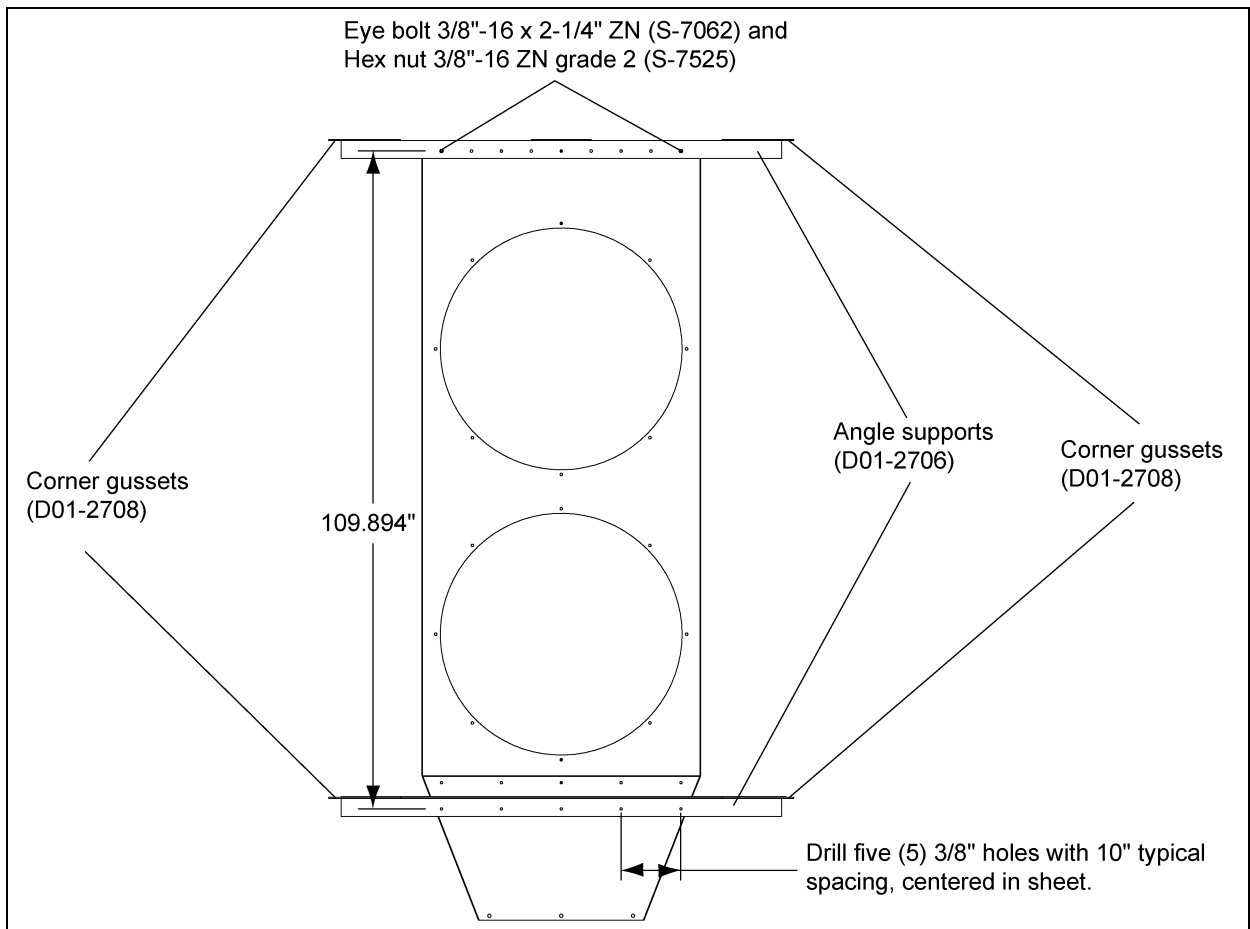
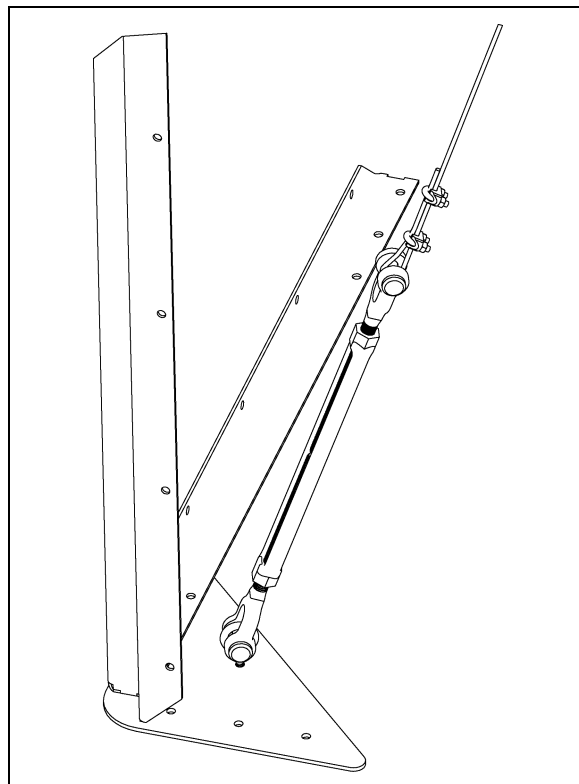


Figure 2

# Single Module Noise Suppressor Installation Instructions



**Figure 3**



**Figure 4**

# Single Module Noise Suppressor Installation Instructions

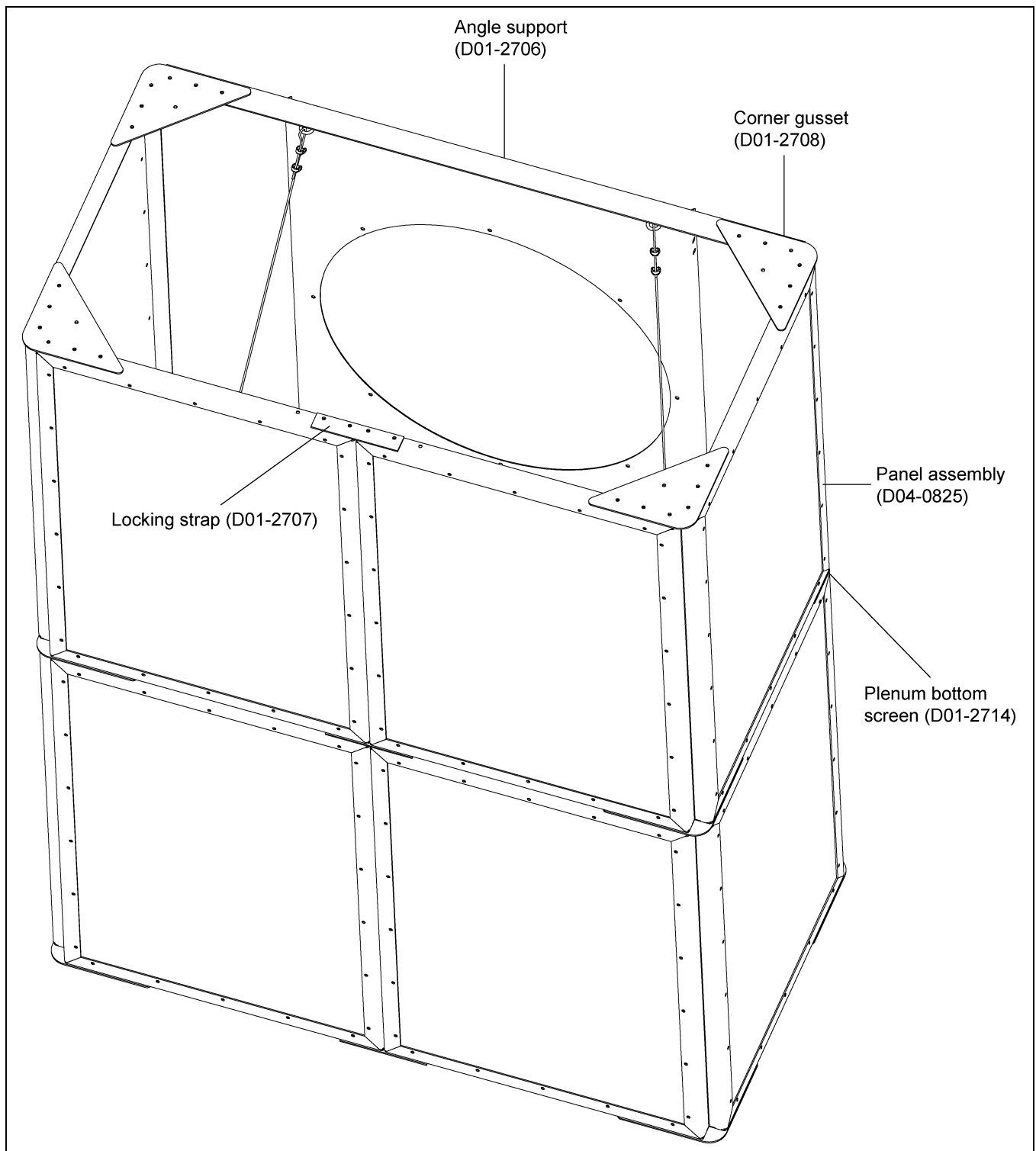


Figure 5