



This kit is intended as a service replacement part for Burner Timer Applications of the Deltrol and Eagle makes of part numbers 44-024D (60 minutes) and 44-024 (30 minutes) timers installed on Farm Fans Grain Dryers.

**NOTE:** Due to the type of construction the 44-024D kit timer cannot be used to replace the 44-046 or 44-024 Deltrol and Eagle make timers when they are used as load and burner timers within the CMS-H and CMS-J Series Dryers.

The 44-024D kit is not difficult to install however, it is important to read and carefully follow the information listed below:

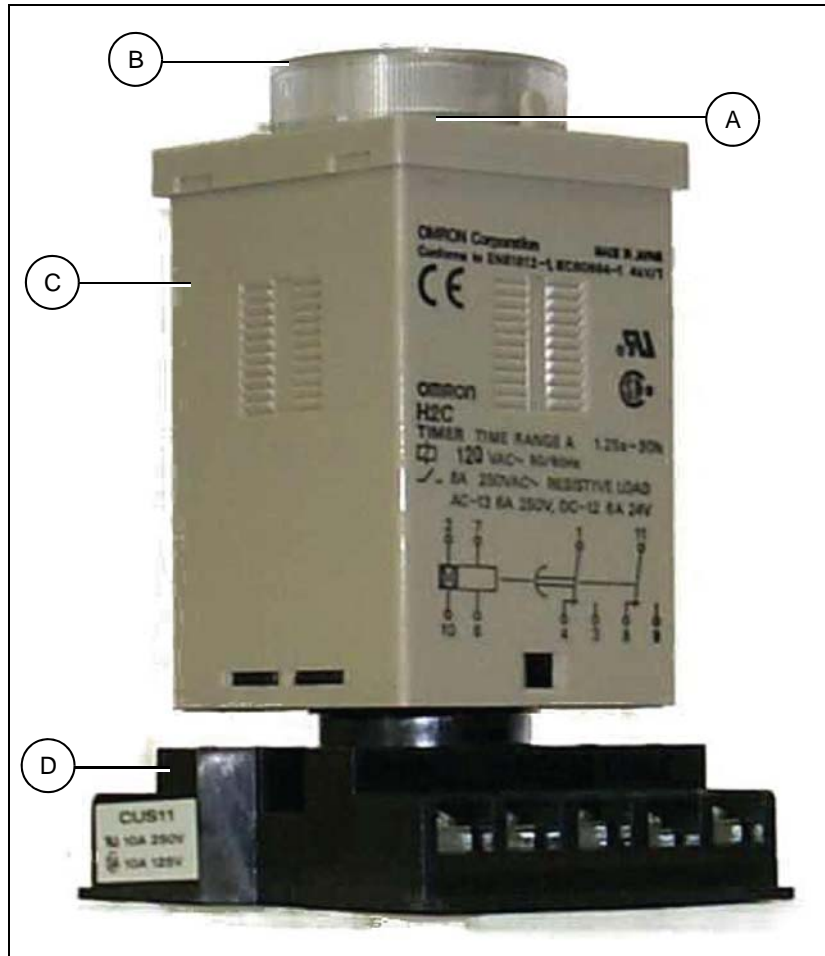


Figure 1 Identification of Timer Parts

Ref #	Description
A	Timer Range Adjustment Screw
B	Dial
C	Timer
D	Base



## Installing 44-024D Kit as a Burner Timer

1. Before disconnecting any wires from the old burner timer, observe the color and number of wires attached to the device. The following information will be helpful when a timer is replaced with one of a different make.
  - a. The wire from the dryers burner timer circuit is **BLACK** on most early models.
  - b. The **NEUTRAL** wire, which is grounded to the control chassis, is **GREEN** colored on early models or **WHITE** on later model dryers.
2. With power to dryer shut off, disconnect the electrical wires from old timer and remove timer from dryer. If any dryer circuit wires are soldered onto old timer, cut them off near the timer connections.
3. Refer to illustration for proper wire connections and position the new timer base to allow all (or most) of the wires to reach their proper terminal destinations. The kit contains additional wire and wire connectors which may be used to lengthen some wires, if required. (See Figure 2.)

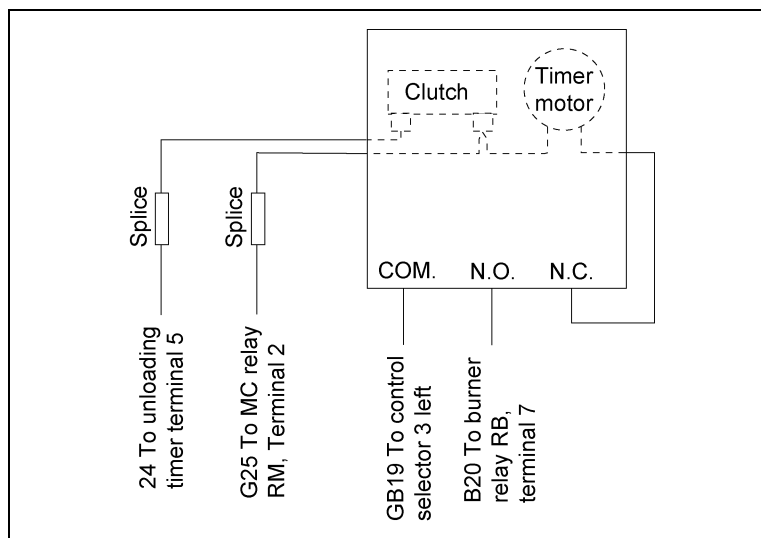


Figure 2

Mark new mounting hole locations and drill two (2) 7/64" diameter holes. Mount base onto the chassis panel using the two (2) #6 x 5/8" long type B screws. (See Figure 3.)

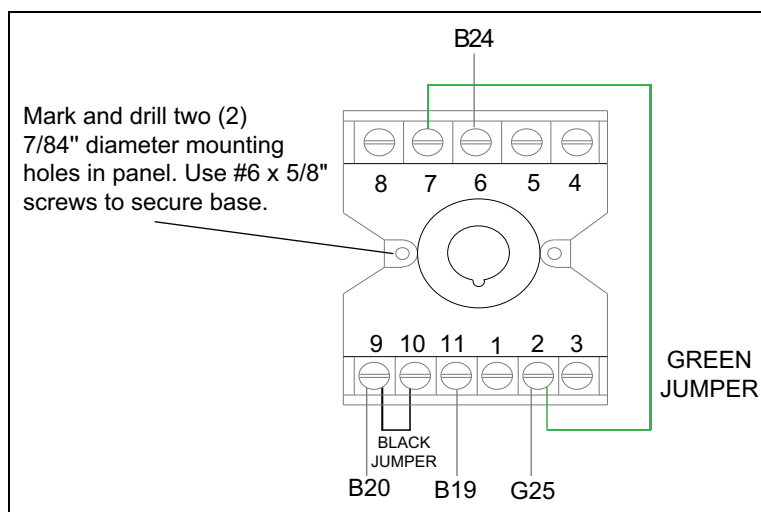


Figure 3

# Bullet-In Burner Timer Service Kit Installation Instructions (44-024D)

4. Adjust the Omron timer range as listed.
  - a. Use a small screwdriver and rotate the timer range adjustment screw to the 30 m position. (If more time is needed, change range to 3 hours.)

## 44-024D Burner Service Kit (056-1733-7) Parts/Packing List

Part #	Description	Qty
D03-1270	Timer - 115V 30 sec./3 min./30 min./3 hrs./30 hrs. range) Set Adjustments: Set Range Set 30 m	1
055-1020-1	Relay Base (11 Pin)	1
BT-01-5	Bullet-In Burner Timer Service Kit Instructions (44-024D)	1
S-8882	Screw, MS #6-32 x 3/4" PHS ZN Grade 2	2
WI-12-T1T1	Wire - White 18 Gauge 12" Long	1
R-I-12 T <sub>1</sub> T <sub>1</sub>	Wire - Red 18 Gauge 12" Long	2

5. Install timer and adjust timer settings.
  - a. Align notch as required and insert timer firmly into its base.
  - b. Rotate the upper dial to provide the desired time setting. The 1.0 mark equals 1/3 of the 30 minutes range. Refer to the charts in your owners manual. To determine the burner timer setting, subtract the cooling time from the cycle time and set this number burner timer dial.
  - c. Turn the mode adjustment screw so the window shows the letter "G". Turn the bottom range and scale adjustment screws as close as you can to match the timer you are replacing. Refer to [Figure 4](#) for timer adjustment screws.

### For instance:

#### 60 minutes timer you would adjust:

Bottom left screw to 1.2

Bottom right screw to hours

#### 30 minutes timer you would adjust:

Bottom left screw to 30

Bottom right screw to minutes



Figure 4 Omron Cycle Timer

Ref #	Description
A	Set Time Indicator (It does not move during cycle.)
B	Time Range Adjustment
C	Time Scale Adjustment
D	Mode Adjustment Set to MODE "G"