

CF/AB PARTS MANUAL SUPPLEMENT

FOR CF/AB GRAIN DRYERS MANUFACTURED APRIL 1993 and LATER

This supplement covers the design improvements made to CF/AB model dryers manufactured April, 1993 and later. These models can be easily identified by a newly added timer RESET button located beneath the batch timers on the ASC control panel. In addition, this supplement also includes the CF/AB-320 fan-heater assembly.

Note: The previous parts supplement, CFAB-03-3S, still applies to CF/AB dryers built between April 1992 and April 1993.

When ordering a part, please check this supplement first to see if a particular part is covered within this supplement. Refer to bulletins CF/AB150-01-3, CF/AB190-01-3, and CF/AB270-01-3 for all other parts on those model dryers. Complete CF/AB-320 parts information will be included in a forthcoming parts manual update.

CONTENTS

Fig. 1	ASC Control Panel Chassis, 1 Phase.	2
Fig. 2	Control Panel, 1 Phase	4
Fig. 3	ASC Control Panel Chassis, 3 Phase.	6
Fig. 4	Control Panel, 3 Phase.	8
Fig. 5	Dual Temp Plenum Temperature Control Assembly	10
Fig. 6	RTD Grain Temperature Sensor Assembly (ETN)	11
Fig. 7	CF/AB-320 Fan-Heater Assembly	12
Fig. 8	CF/AB-320 Fan-Heater Control Box	15
Fig. 9	CF/AB-320 Fan-Heater Plumbing	17
	Hardware Abbreviation Codes	19

FIG. 1 ASC CONTROL PANEL CHASSIS, 1-PHASE

	415-3106-2	ASC CHASSIS ASSY - CF/AB-150, 1 PH	X	-	-	-
	415-3107-0	ASC CHASSIS ASSY - CF/AB-190, 1 PH	-	X	-	-
	415-3108-8	ASC CHASSIS ASSY - CF/AB-270, 1 PH	-	-	X	-
	415-3109-6	ASC CHASSIS ASSY - CF/AB-320, 1 PH	-	-	-	X
Item	Part No.	Description	Qty	Qty	Qty	Qty
1	415-3076-7	MOUNTING PLATE - CF/AB-150, 1 PH	1	-	-	-
1	415-3077-5	MOUNTING PLATE - CF/AB-190, 1 PH	-	1	-	-
1	415-3078-3	MOUNTING PLATE - CF/AB-270, 1 PH	-	-	1	-
1	415-3161-7	MOUNTING PLATE - CF/AB-320, 1 PH	-	-	-	1
2	401-3693-9	DEADFRONT	1	1	1	1
3	056-1931-7	SAFETY CIRCUIT MONITOR ASSY	1	1	1	1
4	325-1569-4	CLIP, HOLD-DOWN	1	1	1	1
5	325-1506-6	BAR, HOLD-DOWN	1	1	1	1
6	401-1683-2	CLOSURE PLATE	1	1	1	1
7	325-1495-2	GUSSET, CORNER - LH	2	2	2	2
8	325-1494-5	GUSSET, CORNER - RH	2	2	2	2
9	056-1726-1	TEMPERATURE CONTROL	1	1	1	1
10	401-4368-7	MOUNTING RAIL	2	2	2	2
11	325-1603-1	HINGE	1	1	1	1
12	023-1023-3	SPRING LATCH	2	2	2	2
13	035-1004-7	INDICATOR LIGHT - AMBER	6	6	6	6
14	026-1044-2	SWITCH, PUSH BUTTON	1	1	1	1
15	056-1034-0	SWITCH, PUSH BUTTON	1	1	1	1
16	056-1644-6	SPEED POT W/KNOB	1	1	1	1
17	026-1032-7	SWITCH, TOGGLE	1	1	1	1
18	026-1105-1	FAN SWITCH, TOGGLE	1	1	1	1
19	026-1096-2	UNLOAD SWITCH, TOGGLE	1	1	1	1
20	026-1015-2	BURNER SWITCH, TOGGLE	1	1	1	1
21	056-1981-2	TIMER	3	3	3	3
22	044-1026-2	HOUR METER	1	1	1	1
23	200-1005-4	BUTTON, PUSH - RED	1	1	1	1
24	006-1181-4	BUTTON, PUSH - BLACK	1	1	1	1
25	406-2034-6	GASKET, 1/4 X 1/2 X 3/4	1	1	1	1
26	021-1065-8	MOUNTING TRACK	1	1	1	1
27	067-1117-0	PLUG, HOLE 1/2"	1	1	1	1
28	056-1983-8	SOCKET, 11 PIN	3	3	3	3
29	056-1984-6	ADAPTER, PANEL MOUNT	3	3	3	3
30	056-1584-4	TIMER RESET SWITCH	1	1	1	1
31	006-1150-9	BOOT, RUBBER	1	1	1	1
A	090-1287-3	CBLT 1/4-20 x 1/2	10	10	10	10
B	090-1193-3	PHST #8 x 3/8, B	4	4	4	4
C	090-1233-7	RHMS #6-32 x 3/4	5	5	5	5
D	090-1159-4	PHMS #6-32 x 3/8	2	2	2	2
E	090-1193-3	PHST #8 x 3/8, B	2	2	2	2
F	095-1005-8	POP RIVIT, 1/8	19	19	19	19
G	090-1516-5	WASHER, RIVET BACK-UP	19	19	19	19
H	091-1036-2	NUT, HEX 1/4-20	10	10	10	10
J	091-1027-1	NUT, HEX #6-32	5	5	5	5
K	092-1003-0	WASHER, FLAT #8	2	2	2	2
L	092-1006-3	WASHER, FLAT 1/4	10	10	10	10
M	092-1025-3	WASHER, SPLIT LOCK 1/4	10	10	10	10
N	092-1021-2	WASHER, SPLIT LOCK #6	2	2	2	2

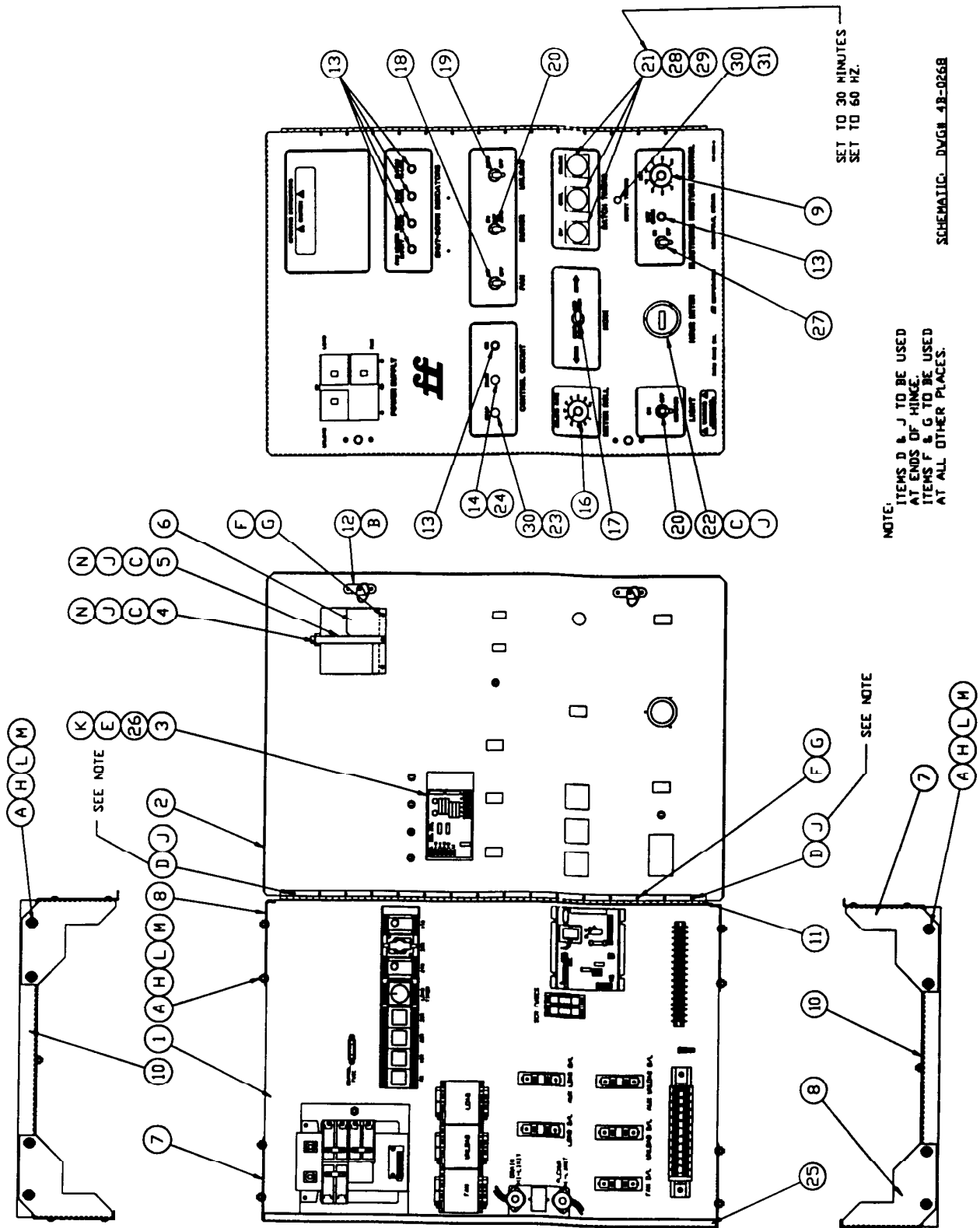


Fig. 1 ASC Control Panel Chassis, 1 Phase.

3D-0202

FIG. 2 CONTROL PANEL, 1-PHASE

415-3076-7	CF/AB-150 CONTROL PANEL 220VAC 1 PH	X	-	-	-
415-3077-5	CF/AB-190 CONTROL PANEL 220VAC 1 PH	-	X	-	-
415-3078-3	CF/AB-270 CONTROL PANEL 220VAC 1 PH	-	-	X	-
415-3161-7	CF/AB-320 CONTROL PANEL 220VAC 1 PH	-	-	-	X

Item	Part No.	Description	Qty	Qty	Qty	Qty
1	401-4179-8	MOUNTING PANEL	1	1	1	1
2	325-1533-0	BRACKET SPACER	1	1	1	1
3	037-1007-6	FUSE BLOCK 1POS.	1	1	1	1
4	050-1001-2	FUSE 5A 250V	1	1	1	1
5	006-1184-8	GROUNDING BAR	1	1	1	1
6	056-1674-3	CIRCUIT BREAKER 100A 2PL	-	1	1	-
6	056-1988-7	CIRCUIT BREAKER 200A 2PL	-	-	-	1
7	056-1839-2	CIRCUIT BREAKER 80A 2PL	3	2	2	2
8	056-1672-7	LOAD CENTER 200A 1PH 220V	1	1	1	1
9	025-1044-4	MOUNTING BACKET	1	1	1	1
10	056-1025-8	CONTACTOR 40A 2PL	2	1	1	-
11	056-1191-8	CONTACTOR 90A 2PL	-	-	1	-
11	056-1189-2	CONTACTOR 60A 2PL	1	2	1	2
12	027-1047-3	THERMOSTAT HI-LIMIT 210 °F	1	1	1	1
13	401-4158-2	BRACKET - HI-LIMIT MOUNTING	1	1	1	1
14	027-1035-8	THERMOSTAT HI-LIMIT 300 °F	1	1	1	1
15	056-1046-4	O/L RELAY 45A 1PL	2	2	2	2
16	021-1084-9	RELAY MOUNTING TRACK	1	1	1	1
17	056-1675-0	TIME DELAY RELAY 10SEC	1	1	1	1
18	056-1927-5	TIMER 60MIN	1	1	1	1
19	056-1795-6	TIMER 100SEC	1	1	1	1
20	056-1365-8	TIMER - LOAD 6MIN/60MIN/12HR	1	1	1	1
21	044-1018-9	RELAY 115VAC 5A 8PIN	3	3	3	3
22	055-1019-3	SOCKET BASE 8PIN	6	6	6	6
23	047-1008-3	FUSE HOLDER 30A 2POS. 250V	1	1	1	1
24	415-3087-4	SCR CONTROL ASSEMBLY	1	1	1	1
25	050-1014-5	FUSE 6A 250V	2	2	2	2
26	045-1024-4	TERMINAL STRIP 50A 12POS.	1	1	1	1
27	045-1010-3	TERMINAL ASSY 16POS.	1	1	1	1
28	056-1166-0	HEATER ELEMENT C22.8	2	2	2	3
29	056-1064-7	HEATER ELEMENT C6.3	1	-	-	-
30	056-1160-3	HEATER ELEMENT C7.78	1	1	-	-
31	056-1199-1	HEATER ELEMENT C12.5	-	1	2	-
32	056-1152-0	HEATER ELEMENT F65.8	-	1	-	-
33	056-1146-2	HEATER ELEMENT F84.8	-	-	1	-
34	056-1083-7	O/L RELAY 90A 1PL	-	1	1	-
34	056-1233-8	O/L RELAY 100A 1PL	-	-	-	1
35	056-1018-3	SUPPLEMENTARY O/L	1	-	-	-
36	056-1062-1	O/L RELAY 27A 1PL	2	2	2	2
37	056-1296-5	HEATER ELEMENT E96	-	-	-	1
38	056-1952-3	CONTACTOR 120A 2PL	-	-	-	1
39	056-1342-7	HEATER ELEMENT C15.1	-	-	-	1
40		OPT. AUX AUGER COMPONENTS	AR	AR	AR	AR
A	090-1205-5	SCREW - #8 x 1/2" TYPE "A"	57	57	57	57
B	090-1190-9	PHST #6 x 3/8 TYPE "B"	3	3	3	3
C	090-1287-3	CARRIAGE BOLT 1/4-20 x 1/2"	4	4	4	4
D	092-1025-3	SPLIT LOCK WASHER 1/4"	4	4	4	4
E	092-1006-3	FLATWASHER 1/4"	4	4	4	4
F	091-1036-2	HEX NUT 1/4-20	4	4	4	4
G	090-1297-2	CARRIAGE BOLT 5/16-18 x 2-3/4	1	1	1	1
H	092-1008-9	FLATWASHER 5/16	1	1	1	1
I	091-1037-0	HEX NUT 5/16-18	1	1	1	1

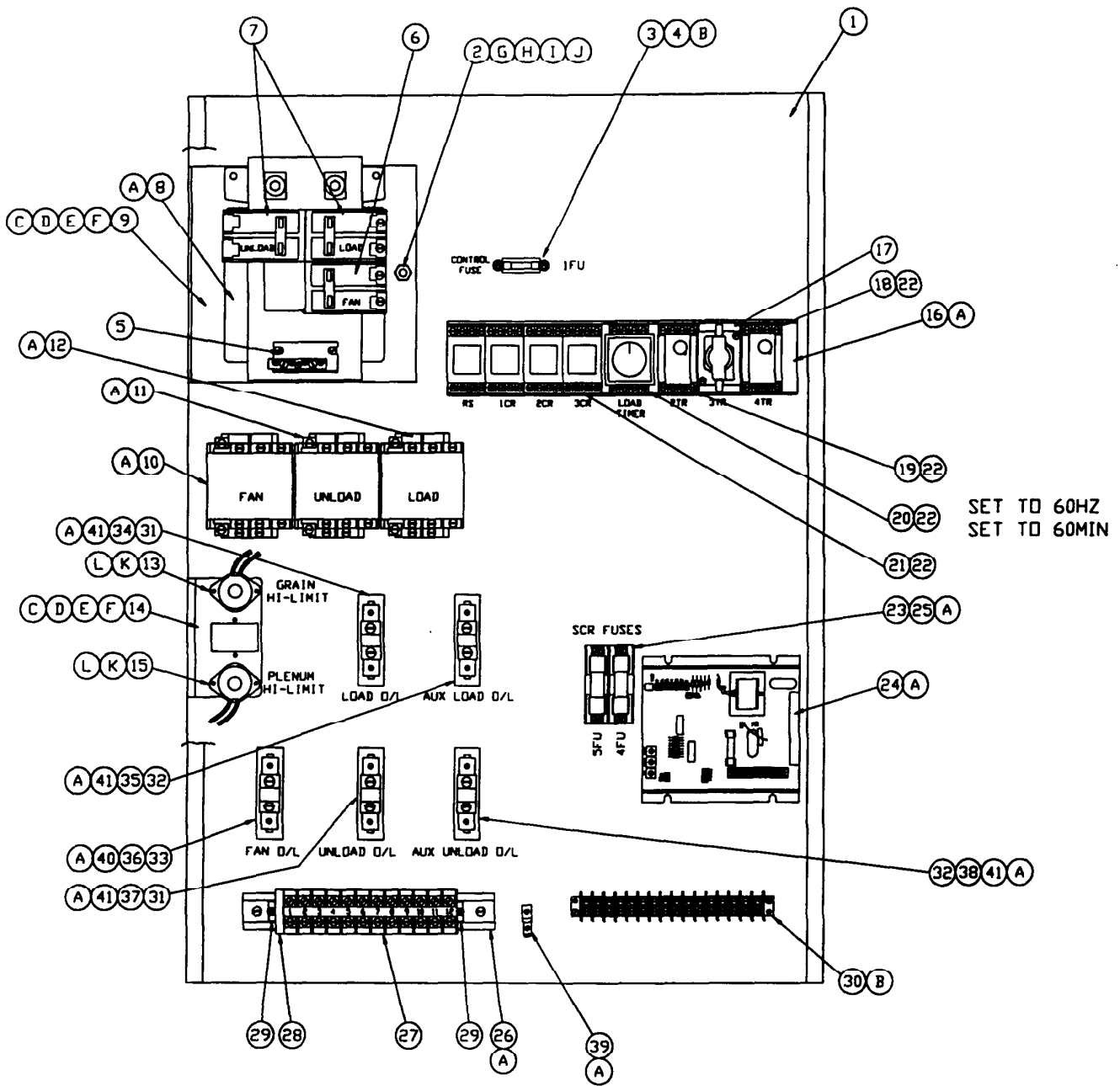


Fig. 2 Control Panel, 1 Phase.

3C-0429

FIG. 3 ASC CONTROL PANEL CHASSIS, 3-PHASE

415-3110-4	CHASSIS ASSY - CF/AB-150, 220V 3 PH X	-	-	-	-	-	-	-	-
415-3111-2	CHASSIS ASSY - CF/AB-150, 440V 3 PH	X	-	-	-	-	-	-	-
415-3112-0	CHASSIS ASSY - CF/AB-190, 220V 3 PH	-	X	-	-	-	-	-	-
415-3113-8	CHASSIS ASSY - CF/AB-190, 440V 3 PH	-	-	X	-	-	-	-	-
415-3114-6	CHASSIS ASSY - CF/AB-270, 220V 3 PH	-	-	-	X	-	-	-	-
415-3115-3	CHASSIS ASSY - CF/AB-270, 440V 3 PH	-	-	-	-	X	-	-	-
415-3116-1	CHASSIS ASSY - CF/AB-320, 220V 3 PH	-	-	-	-	-	X	-	-
415-3117-9	CHASSIS ASSY - CF/AB-320, 440V 3 PH	-	-	-	-	-	-	-	X

Item	Part No.	Description	Qty	Qty	Qty	Qty	Qty	Qty	Qty	Qty	Qty
1	415-3068-4	MOUNTING PLATE - CF/AB-150, 220V	1	-	-	-	-	-	-	-	-
1	415-3069-2	MOUNTING PLATE - CF/AB-150, 440V	-	1	-	-	-	-	-	-	-
1	415-3070-0	MOUNTING PLATE - CF/AB-190, 220V	-	-	1	-	-	-	-	-	-
1	415-3071-8	MOUNTING PLATE - CF/AB-190, 440V	-	-	-	1	-	-	-	-	-
1	415-3072-6	MOUNTING PLATE - CF/AB-270, 220V	-	-	-	-	1	-	-	-	-
1	415-3073-4	MOUNTING PLATE - CF/AB-270, 440V	-	-	-	-	-	1	-	-	-
1	415-3074-9	MOUNTING PLATE - CF/AB-320, 220V	-	-	-	-	-	-	1	-	-
1	415-3075-9	MOUNTING PLATE - CF/AB-320, 440V	-	-	-	-	-	-	-	1	-
2	401-3693-9	DEADFRONT	1	1	1	1	1	1	1	1	1
3	415-1797-0	SAFETY CIRCUIT MONITOR ASSY	1	1	1	1	1	1	1	1	1
4	325-1569-4	CLIP, HOLD-DOWN	1	1	1	1	1	1	1	1	1
5	325-1506-6	BAR, HOLD-DOWN	1	1	1	1	1	1	1	1	1
6	325-1507-4	CLOSURE PLATE	1	1	1	1	1	1	1	1	1
7	325-1495-2	GUSSET, CORNER - LH	2	2	2	2	2	2	2	2	2
8	325-1494-5	GUSSET, CORNER - RH	2	2	2	2	2	2	2	2	2
9	056-1726-1	TEMPERATURE CONTROL	1	1	1	1	1	1	1	1	1
10	401-4368-7	MOUNTING RAIL	2	2	2	2	2	2	2	2	2
11	325-1603-1	HINGE	1	1	1	1	1	1	1	1	1
12	023-1023-3	SPRING LATCH	2	2	2	2	2	2	2	2	2
13	035-1004-7	INDICATOR LIGHT - AMBER	6	6	6	6	6	6	6	6	6
14	026-1044-2	SWITCH, PUSH BUTTON	1	1	1	1	1	1	1	1	1
15	056-1034-0	SWITCH, PUSH BUTTON	1	1	1	1	1	1	1	1	1
16	056-1644-6	SPEED POT W/KNOB	1	1	1	1	1	1	1	1	1
17	026-1032-7	SWITCH, TOGGLE	1	1	1	1	1	1	1	1	1
18	026-1105-1	FAN SWITCH, TOGGLE	1	1	1	1	1	1	1	1	1
19	026-1096-2	UNLOAD SWITCH, TOGGLE	1	1	1	1	1	1	1	1	1
20	026-1015-2	BURNER SWITCH, TOGGLE	1	1	1	1	1	1	1	1	1
21	056-1981-2	TIMER	3	3	3	3	3	3	3	3	3
22	044-1026-2	HOUR METER	1	1	1	1	1	1	1	1	1
23	200-1005-4	BUTTON, PUSH - RED	1	1	1	1	1	1	1	1	1
24	006-1181-4	BUITTON, PUSH - BLACK	1	1	1	1	1	1	1	1	1
25	406-2034-6	GASKET, 1/4 x 1/2 x 3/4	1	1	1	1	1	1	1	1	1
26	021-1005-8	MOUNTING TRACK	1	1	1	1	1	1	1	1	1
27	067-1117-0	PLUG, HOLE 1/2"	1	1	1	1	1	1	1	1	1
28	056-1983-8	SOCKET, 11 PIN	3	3	3	3	3	3	3	3	3
29	056-1984-6	ADAPTER, PANEL MOUNT	3	3	3	3	3	3	3	3	3
30	056-1584-4	TIMER RESET SWITCH	1	1	1	1	1	1	1	1	1
31	006-1150-9	BOOT, RUBBER	1	1	1	1	1	1	1	1	1
A	090-1287-3	CBLT 1/4-20 x 1/2	10	10	10	10	10	10	10	10	10
B	090-1193-3	PHST #8 x 3/8 B	4	4	4	4	4	4	4	4	4
C	090-1233-7	RHMS #6-32 x 3/4	5	5	5	5	5	5	5	5	5
D	090-1159-4	PHMS #6-32 x 3/8	2	2	2	2	2	2	2	2	2
E	090-1193-3	PHST #8 x 3/8 B	2	2	2	2	2	2	2	2	2
F	095-1005-8	POP RIVET 1/8	19	19	19	19	19	19	19	19	19
G	090-1516-5	WASHER, RIVET BACK-UP	19	19	19	19	19	19	19	19	19
H	091-1036-2	NUT, HEX 1/4-20	10	10	10	10	10	10	10	10	10
J	091-1027-1	NUT, HEX #6-32	5	5	5	5	5	5	5	5	5
K	092-1003-0	WASHER, FLAT #8	2	2	2	2	2	2	2	2	2
L	092-1006-3	WASHER, FLAT 1/4	10	10	10	10	10	10	10	10	10
M	092-1025-3	WASHER, SPLIT LOCK 1/4	10	10	10	10	10	10	10	10	10
N	092-1021-2	WASHER, SPLIT LOCK #6	2	2	2	2	2	2	2	2	2

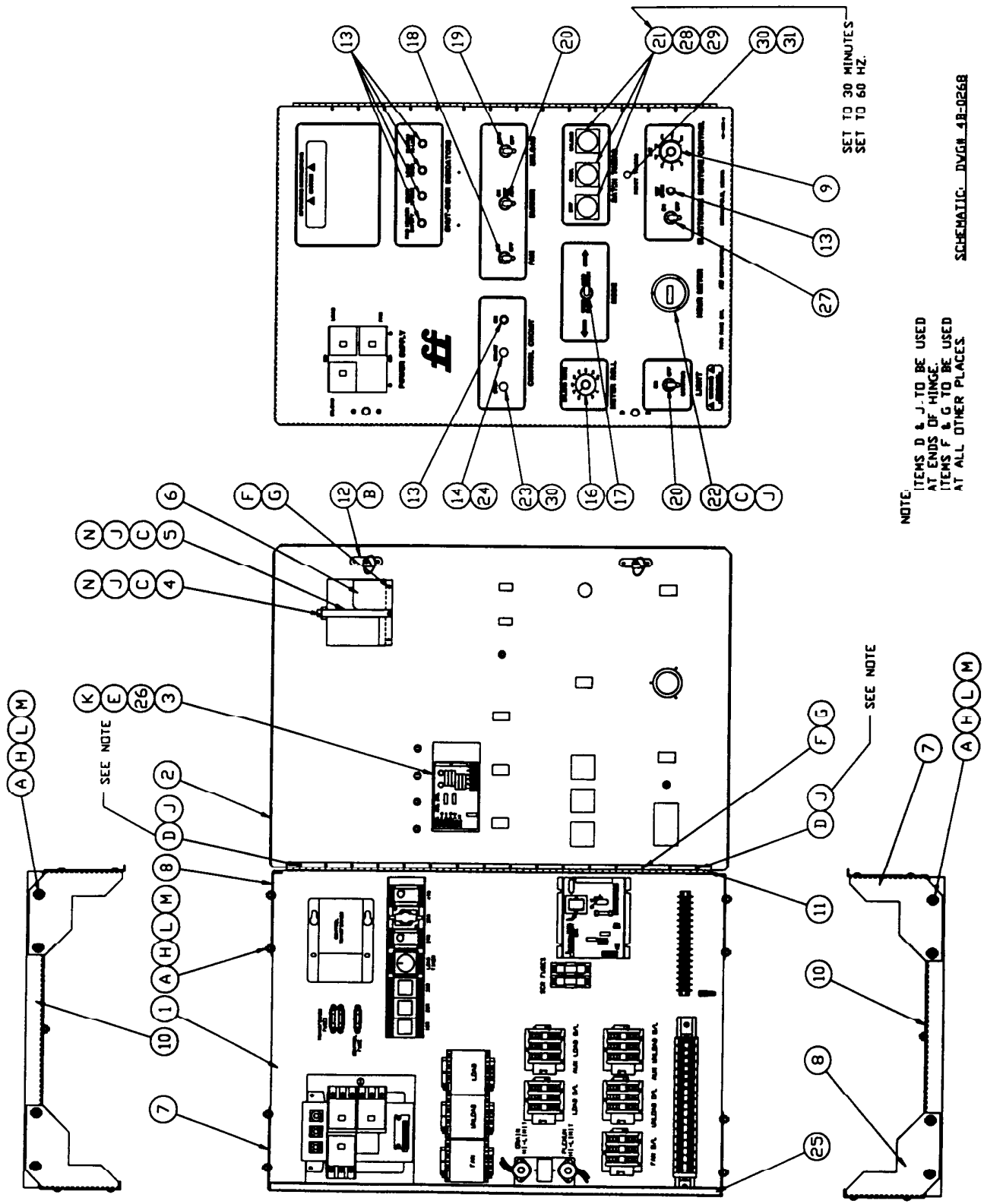


Fig. 3 ASC Control Panel Chassis, 3 Phase.

3D-0203

FIG. 4 CONTROL PANEL, 3-PHASE

415-3068-4	CTRL PANEL ASSY - CF/AB-150, 220V 3 PH X	-	-	-	-	-	-	-	-	-	-
415-3069-2	CTRL PANEL ASSY - CF/AB-150, 440V 3 PH	X	-	-	-	-	-	-	-	-	-
415-3070-0	CTRL PANEL ASSY - CF/AB-190, 220V 3 PH	-	X	-	-	-	-	-	-	-	-
415-3071-8	CTRL PANEL ASSY - CF/AB-190, 440V 3 PH	-	-	X	-	-	-	-	-	-	-
415-3072-6	CTRL PANEL ASSY - CF/AB-270, 220V 3 PH	-	-	-	X	-	-	-	-	-	-
415-3073-4	CTRL PANEL ASSY - CF/AB-270, 440V 3 PH	-	-	-	-	X	-	-	-	-	-
415-3074-9	CTRL PANEL ASSY - CF/AB-320, 220V 3 PH	-	-	-	-	-	X	-	-	-	-
415-3075-9	CTRL PANEL ASSY - CF/AB-320, 440V 3 PH	-	-	-	-	-	-	-	-	X	-
Item	Part No.	Description	Qty	Qty	Qty	Qty	Qty	Qty	Qty	Qty	Qty	Qty
1	401-4179-8	MOUNTING PANEL	1	1	1	1	1	1	1	1	1	1
2	043-1002-5	TRANSFORMER 440V/220V .1KVA	1	1	1	1	1	1	1	1	1	1
3	037-1007-6	FUSE BLOCK 1POS	1	1	1	1	1	1	1	1	1	1
4	050-1001-2	FUSE 5A 250V	3	1	3	1	3	1	3	1	3	1
5	047-1011-7	FUSE HOLDER 2POS.	1	-	1	-	1	-	1	-	1	-
5	047-1001-8	FUSE HOLDER 2POS.	1	-	1	-	1	-	1	-	1	-
6	056-1642-0	CIRCUIT BREAKER 100A 3PL 250V	1	-	1	-	1	-	1	-	1	-
6	026-1040-0	CIRCUIT BREAKER 90A 3PL 480V	1	-	1	-	1	-	1	-	1	-
7	026-1052-5	CIRCUIT BREAKER 50A 3PL 250V	2	-	2	-	2	-	2	-	2	-
8	056-1438-3	LOAD CENTER 125A 3PH	1	-	1	-	1	-	1	-	1	-
9	025-1044-4	MOUNTING BRACKET	1	1	1	1	1	1	1	1	1	1
10	056-1030-8	CONTACTOR 40A 3PL	2	3	2	3	2	3	2	3	2	3
11	056-1190-0	CONTACTOR 60A 3PL	1	-	1	-	1	-	1	-	1	-
12	027-1047-3	THERMOSTAT HI-LIMIT 210 °F	1	1	1	1	1	1	1	1	1	1
13	401-4158-2	BRACKET - HI-LIMIT MOUNTING	1	1	1	1	1	1	1	1	1	1
14	027-1035-8	THERMOSTAT HI-LIMIT 300 °F	1	1	1	1	1	1	1	1	1	1
15	056-1348-4	O/L RELAY 27A 3PL 3ELEM	4	4	4	4	4	4	4	4	4	4
16	021-1084-9	RELAY MOUNTING TRACK	1	1	1	1	1	1	1	1	1	1
17	056-1675-0	TIME DELAY RELAY 10SEC	1	1	1	1	1	1	1	1	1	1
18	056-1927-5	TIMER 60MIN	1	1	1	1	1	1	1	1	1	1
19	056-1795-6	TIMER 100SEC	1	1	1	1	1	1	1	1	1	1
20	056-1365-8	TIMER - LOAD 6MIN/60MIN/12HR	1	1	1	1	1	1	1	1	1	1
21	044-1018-9	RELAY 115VAC 5A 8PIN	3	3	3	3	3	3	3	3	3	3
22	055-1019-3	SOCKET BASE 8PIN	6	6	6	6	6	6	6	6	6	6
23	047-1008-3	FUSE HOLDER 30A 2POS. 250V	1	1	1	1	1	1	1	1	1	1
24	415-3087-4	SCR CONTROL ASSEMBLY	1	1	1	1	1	1	1	1	1	1
26	050-1014-5	FUSE 6A 250V	2	2	2	2	2	2	2	2	2	2
26	045-1027-7	TERMINAL STRIP 50A 18POS.	1	1	1	1	1	1	1	1	1	1
27	045-1010-3	TERMINAL STRIP ASSY 16POS.	1	1	1	1	1	1	1	1	1	1
28	056-1132-2	HEATER ELEMENT C8.67	6	-	6	-	6	-	6	-	6	-
29	056-1143-9	HEATER ELEMENT C16.3	6	3	6	-	6	-	6	-	6	-
30	056-1058-9	HEATER ELEMENT C2.68	3	-	3	-	3	-	3	-	3	-
30	056-1066-2	HEATER ELEMENT C4.66	3	-	3	-	3	-	3	-	3	-
31	056-1347-6	OVERLOAD RELAY 45A	1	1	1	1	1	1	1	1	1	1
31	066-1236-3	OVERLOAD RELAY 60A	1	-	1	-	1	-	1	-	1	-
32	056-1153-8	HEATER ELEMENT C33.0	3	-	3	-	3	-	3	-	3	-
32	056-1051-4	HEATER ELEMENT C18.0	3	-	3	-	3	-	3	-	3	-
32	056-1147-0	HEATER ELEMENT C44.0	3	-	3	-	3	-	3	-	3	-
32	056-1682-6	HEATER ELEMENT C27.3	3	-	3	-	3	-	3	-	3	-
32	056-1338-5	HEATER ELEMENT E76	3	-	3	-	3	-	3	-	3	-
32	056-1136-3	HEATER ELEMENT C25.0	3	-	3	-	3	-	3	-	3	-
32	056-1142-1	HEATER ELEMENT C30.3	3	-	3	-	3	-	3	-	3	-
33	056-1320-3	HEATER ELEMENT C3.26	3	-	3	-	3	-	3	-	3	-
33	056-1163-7	HEATER ELEMENT C5.92	3	-	3	-	3	-	3	-	3	-
34	056-1059-7	HEATER ELEMENT C3.79	3	-	3	-	3	-	3	-	3	-
34	056-1160-3	HEATER ELEMENT C7.78	3	-	3	-	3	-	3	-	3	-
35	325-1533-0	BRACKET SPACER	1	1	1	1	1	1	1	1	1	1
36	006-1184-8	GROUNDING BAR	1	1	1	1	1	1	1	1	1	1
37	050-1008-7	FUSE, 5A 600V	2	-	2	-	2	-	2	-	2	-
38	056-1167-8	HEATER ELEMENT C13.7	3	-	3	-	3	-	3	-	3	-
39	056-1166-0	HEATER ELEMENT C22.8	3	-	3	-	3	-	3	-	3	-
40	056-1194-2	HEATER ELEMENT C11.3	3	-	3	-	3	-	3	-	3	-
41		OPT. AUX AUGER COMPONENTS	AR	AR	AR	AR	AR	AR	AR	AR	AR	AR
A	090-1205-5	SCREW - #8 x 1/2" TYPE "A"	68	68	68	68	68	68	68	68	68	68
B	090-1190-9	PHST #6 x 3/8 TYPE "B"	3	3	3	3	3	3	3	3	3	3
C	090-1287-3	CARRIAGE BOLT 1/4-20 x 1/2"	4	4	4	4	4	4	4	4	4	4
D	092-1025-3	SPLIT LOCK WASHER 1/4"	4	4	4	4	4	4	4	4	4	4

E	092-1006-3	FLATWASHER 1/4"	4	4	4	4	4	4	4	4
F	091-1036-2	HEX NUT 1/4-20	4	4	4	4	4	4	4	4
G	090-1297-2	CARRIAGE BOLT 5/16-18 x 2-3/4	1	1	1	1	1	1	1	1
H	092-1008-9	FLATWASHER 5/16	1	1	1	1	1	1	1	1
I	091-1037-0	HEX NUT 5/16-18	1	1	1	1	1	1	1	1

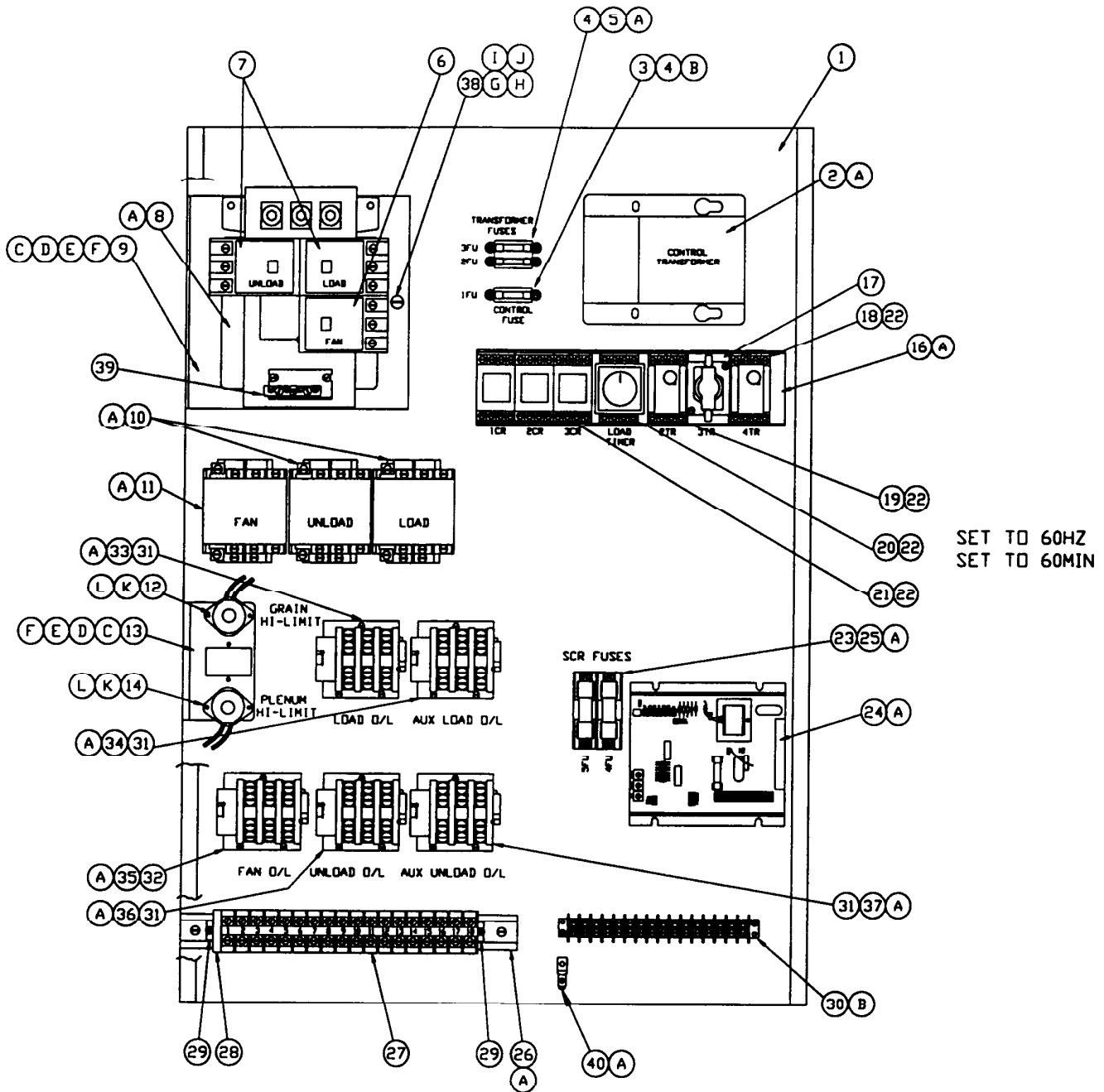


Fig. 4 Control Panel, 3 Phase. 3C-0436

FIG. 5 DUAL-TEMP PLENUM TEMP. CONTROL ASSEMBLY

415-3119-5 Dual Temp Burner Control AssyX

Item	Part No.	Description	Qty
1	325-1571-0	WELDMENT, MOUNTING	1
2	027-1029-1	THERMOSTAT	2
3	067-1022-2	CONNECTOR, 1/2"	2
4	415-2824-1	18-2 SJO CORD ASSY	1
5	415-2823-3	18-3 SJO CORD ASSY	1
6	041-1005-2	DIAL THERMOMETER	1
7	016-1008-8	RUBBER GROMMET	2
8	420-1301-1	DECAL, HIGH-LOW HEAT	1
A	090-1193-3	PHST #8 x 3/8 B	4
B	090-1190-9	PHST #6 x 3/8 B	3

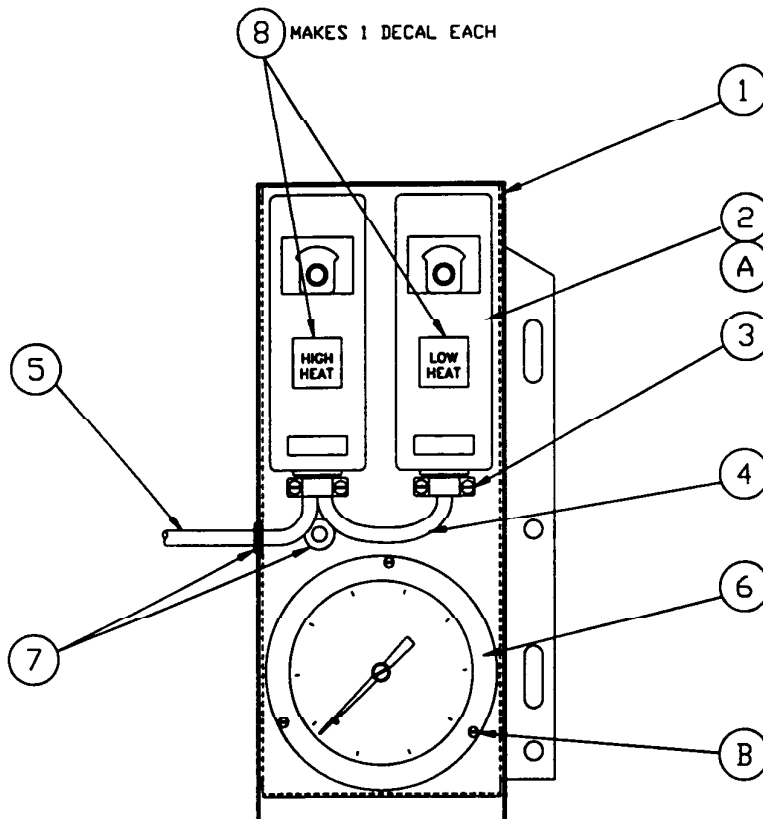


Fig. 5 Dual Temp Plenum Temperature Control Assembly.

3C-0360

FIG. 6 RTD GRAIN TEMPERATURE SENSOR ASSEMBLY

Item	Part No.	Description	Qty
	415-2664-1	RTD Junction Box Assy ETN-01	X
1	401-3807-5	MOUNTING PLATE, ET JUNCTION BOX	1
2	006-1227-5	JUNCTION BOX, TRIPLE OUTLET	1
3	067-1057-8	STRAIN RELIEF 1/2 NPT-1/8"	1
4	006-1232-5	WIRE CONNECTOR	2
5	415-2666-6	COND ASSY 3/8 x 53, WIRE 125"	1
6	044-1090-8	1000 OHM RTD x 22'	1
7	006-1110-3	COVER & GASKET	1
8	069-1131-7	PIPE SEALANT	AR
A	090-1252-7	RHMS #10-32 x 1/2	4
B	092-1023-8	LOCKWASHER #10	4

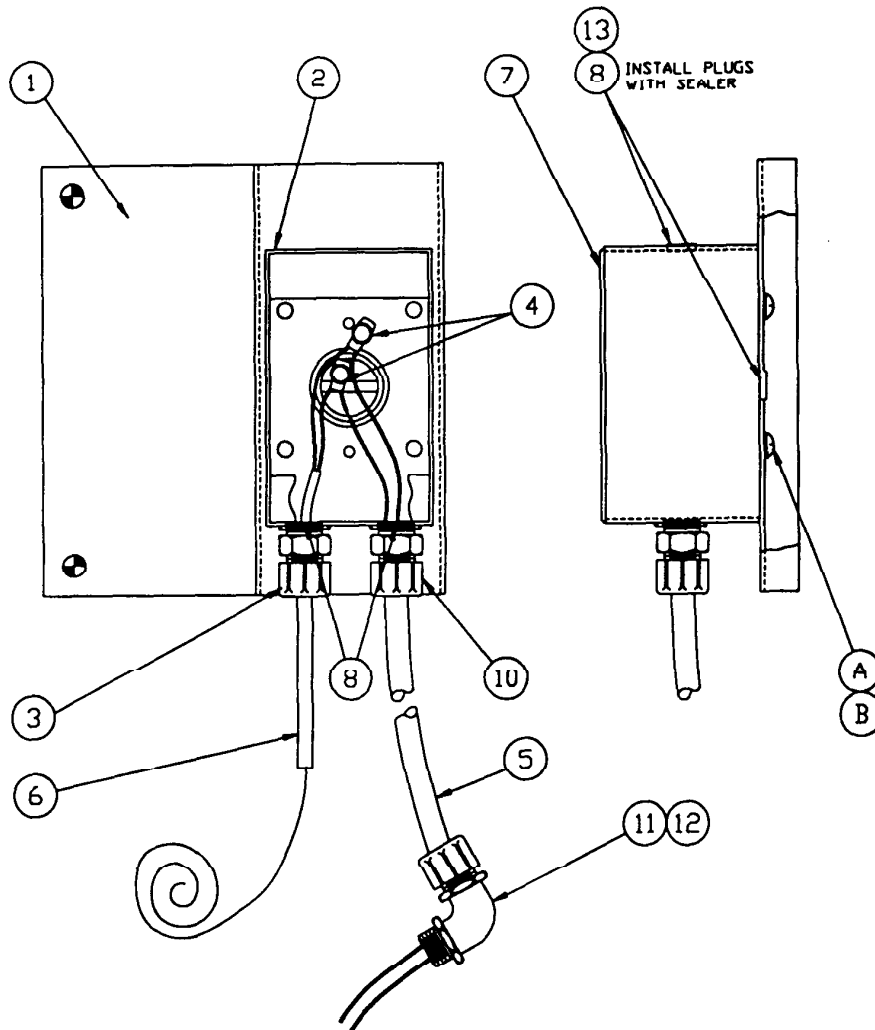


Fig. 6 RTD Grain Temperature Sensor Assembly (ETN).

3C-0351

FIG. 7 CF/AB-320 FAN-HEATER ASSEMBLY

U2039C3-2V-LP	FAN-HEATER ASSY. - U2039C3 230V 3-PH LP X	-	-	-
U2039C3-2V-N	FAN-HEATER ASSY. - U2039C3 230V 3-PH NAT. GAS	-	X	-	-
U2039C3-4V-LP	FAN-HEATER ASSY. - U2039C3 460V 3-PH LP -	-	X	-
U2039C3-4V-LP	FAN-HEATER ASSY. - U2039C3 460V 3-PH NAT. GAS	-	-	-	X

Item	Part No.	Description	Qty	Qty	Qty	Qty
1	410-1824-3	HOUSING WELDMENT U2539	1	1	1	1
2	401-4085-7	BURNER SUPPORT BRACKET	4	4	4	4
3	401-4086-5	BURNER LINER	1	1	1	1
4	406-1989-2	BURNER LINER SPACER	8	8	8	8
5	011-1067-5	ACCESS DOOR	1	1	1	1
6	023-1015-9	HANDLE ASSEMBLY	1	1	1	1
7	029-1172-5	DECAL - WARNING CLOSE COMP	1	1	1	1
8	029-1143-6	DECAL - WHITE TRIANGLE	2	2	2	2
9	027-1006-9	THERMOSTAT HI-LIMIT 200°F	1	1	1	1
10	067-1107-1	ELEC BOX UNILET 1/2	1	1	1	1
11	067-1091-7	ELEC COVER UNILET 1/2	1	1	1	1
12	067-1090-9	ELEC GASKET UNILET 1/2	2	2	2	2
13	067-1117-0	PLUG 1/2	1	1	1	1
14	415-2214-5	CONDUIT ASSEMBLY 3/8 x 16	1	1	1	1
15	048-1068-5	HOLE PLUG 5/16	2	2	2	2
16	002-1071-6	MOTOR 20HP 3PH 17 256T ODP	1	1	1	1
17	062-1008-2	MOTOR SHIM 16 GA	AR	AR	AR	AR
18	415-2215-2	CONDUIT ASSEMBLY 1 x 36	1	1	1	1
19	415-2151-9	PROPELLER ASSEMBLY - 39", 19P	1	1	1	1
20	069-1145-7	CORROSION INHIBITOR	AR	AR	AR	AR
21	401-3418-1	VENTURI 39"	1	1	1	1
22	410-1691-6	BASKET GUARD	1	1	1	1
23	011-1094-9	GUARD CENTER CAP	1	1	1	1
24	410-1842-5	BURNER ASSEMBLY - U2X39	1	1	1	1
25	415-3528-7	PLUMBING ASSEMBLY U2039-N	-	1	-	1
25	415-3527-9	PLUMBING ASSEMBLY U2039-LP	1	-	1	-
26	401-4090-7	PLUMBING BRACKET	1	1	1	1
27	401-4089-9	PLUMBING CLAMP	1	1	1	1
28	415-1713-7	CONDUIT ASSEMBLY 3/8 x 16	1	1	1	1
29	415-1714-5	CONDUIT ASSY. 3/8x24 (2 WIRE)	1	1	1	1
30	415-2213-7	CONDUIT ASSEMBLY 3/8 x 22	1	-	1	-
31	415-3029-6	VAPORIZER PLUMBING ASSEMBLY	1	-	1	-
32	401-4092-3	VAPORIZER SUPPORT BRACKET	1	-	1	-
33	401-4093-1	VAPORIZER HOLE COVER	-	1	-	1
33	410-1827-6	VAPORIZER SUPPORT WELDMENT	1	-	1	-
34	029-1076-8	DECAL - LP SUPPLY	1	-	1	-
34	029-1078-4	DECAL - NAT. GAS SUPPLY	-	1	-	1
35	029-1040-4	DECAL - OPERATING PRECAUTIONS	1	-	1	-
36	007-1156-4	COUPLER 3/4 80	1	-	1	-
37	007-1080-6	ELBOW 3/4 80	1	-	1	-
38	007-1059-0	STRAINER ASSEMBLY 3/4"	1	-	1	-
39	007-1339-6	CONN 3/4NPT TO 1/2TU BRASS	1	-	1	-
40	033-1039-8	COPPER TUBE ASSEMBLY 1/2x36	1	-	1	-
41	007-1295-0	NIPPLE CL 3/4 80	1	-	1	-
42	007-1084-8	BUSHING HEX 3/4 TO 1/4	1	-	1	-
43	415-2163-4	HEATER CONTROL BOX 4V	-	-	1	1
43	415-2160-0	HEATER CONTROL BOX 2V	1	1	-	-
44	010-1001-6	DECAL - MODEL NUMBER	1	1	1	1
45	325-1818-5	GASKET	2	2	2	2
46	067-1058-6	ELECTRICAL CONNECTOR STRAIN RELIEF	1	1	1	1
47	048-1032-1	HOLE PLUG 7/8 - DOMED	-	2	-	2
48	026-1023-6	FLAME SWITCH (N/CLOSED)	1	1	1	1
49	401-4149-1	FLAME SWITCH BRACKET	1	1	1	1
50	007-1747-0	PIPE PLUG 1/4	1	-	1	-
51	038-1194-0	FLAME SWITCH WIRING ASSEMBLY 32"	1	1	1	1
52	048-1002-4	IGNITOR PLUG	1	1	1	1
53	038-1014-0	IGNITOR WIRE ASSEMBLY 30"	1	1	1	1
A	090-1304-6	CBLT 3/8-16 x 1 5	8	8	8	8
B	092-1028-7	WASHER SPLIT LOCK 3/8	12	12	12	12
C	091-1040-4	HEX NUT 3/8-16	20	20	20	20

D	090-1294-9	CBLT 5/16-18 x 1-1/2 5	8	8	8	8
E	092-1027-9	WASHER SPLIT LOCK 5/16	16	12	16	12
F	091-1037-0	HEX NUT 5/16-18	16	12	16	12
G	406-1253-3	U-BOLT 3/8-16	1	1	1	1
H	092-1011-3	WASHER FLAT 3/8	12	14	12	14
I	090-1208-9	PHST #10 x 1/2 A	2	2	2	2
J	090-1194-1	HHST #8 x 1/2	2	2	2	2
K	090-1163-6	PHMS #8-32 x 3/8	2	2	2	2
L	090-1106-5	HHCS 1/2-13 x 1-3/4 5	4	4	4	4
M	092-1015-4	WASHER FLAT 1/2	20	20	20	20
N	092-1030-3	WASHER SPLIT LOCK 1/2	12	12	12	12
O	091-1042-0	HEX NUT 1/2-13	12	12	12	12
P	090-1072-9	HHCS 5/16-18 x 1 5	10	8	10	8
Q	092-1008-9	WASHER FLAT 5/16	20	20	20	20
R	091-1051-1	ESNA 5/16-18	12	16	12	16
S	062-1015-7	RUBBER WASHER	8	8	8	8
T	090-1086-9	HHCS 3/8-16 x 1 5	4	4	4	4
U	090-1105-7	HHCS 1/2-13 x 1-1/2 5	8	8	8	8
V	090-1292-3	CBLT 5/16-18 x 1 5	4	4	4	4
W	326-1047-9	U-BOLT	2	2	2	2
X	090-1291-5	CBLT 5/16-18 x 3/4 5	6	6	6	6
Y	090-1595-9	CBLT 3/8-16 x 3/4 5	2	2	2	2
Z	090-1088-5	HHCS 3/8-16 x 1-1/4 FT5	2	2	2	2
AA	091-1055-2	ESNA 3/8-16	2	2	2	2
BB	090-1261-8	RHMS 1/4-20 x 1/2 SS	2	2	2	2
CC	091-1035-4	HEX NUT 1/4-20 SS	2	2	2	2
DD	092-1025-3	WASHER SPLIT LOCK 1/4	2	2	2	2

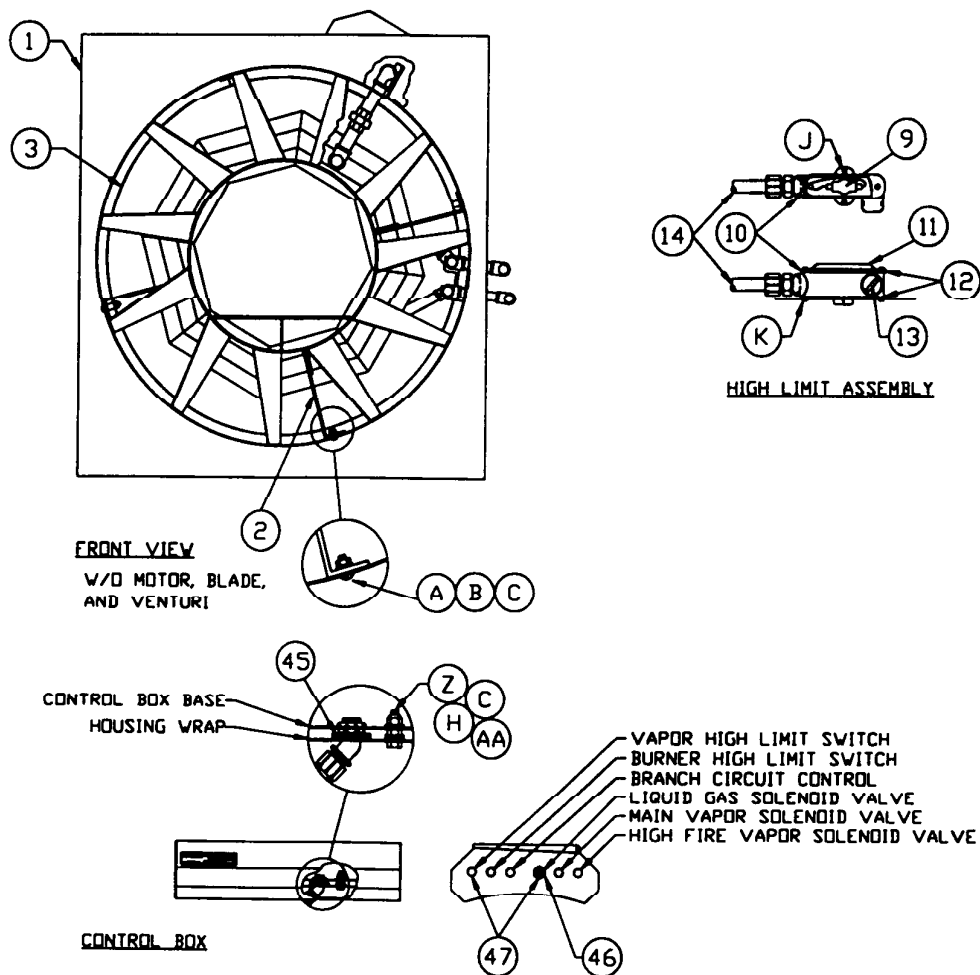


FIG. 7A CF/AB-320 Fan-Heater Assembly

3D-0187

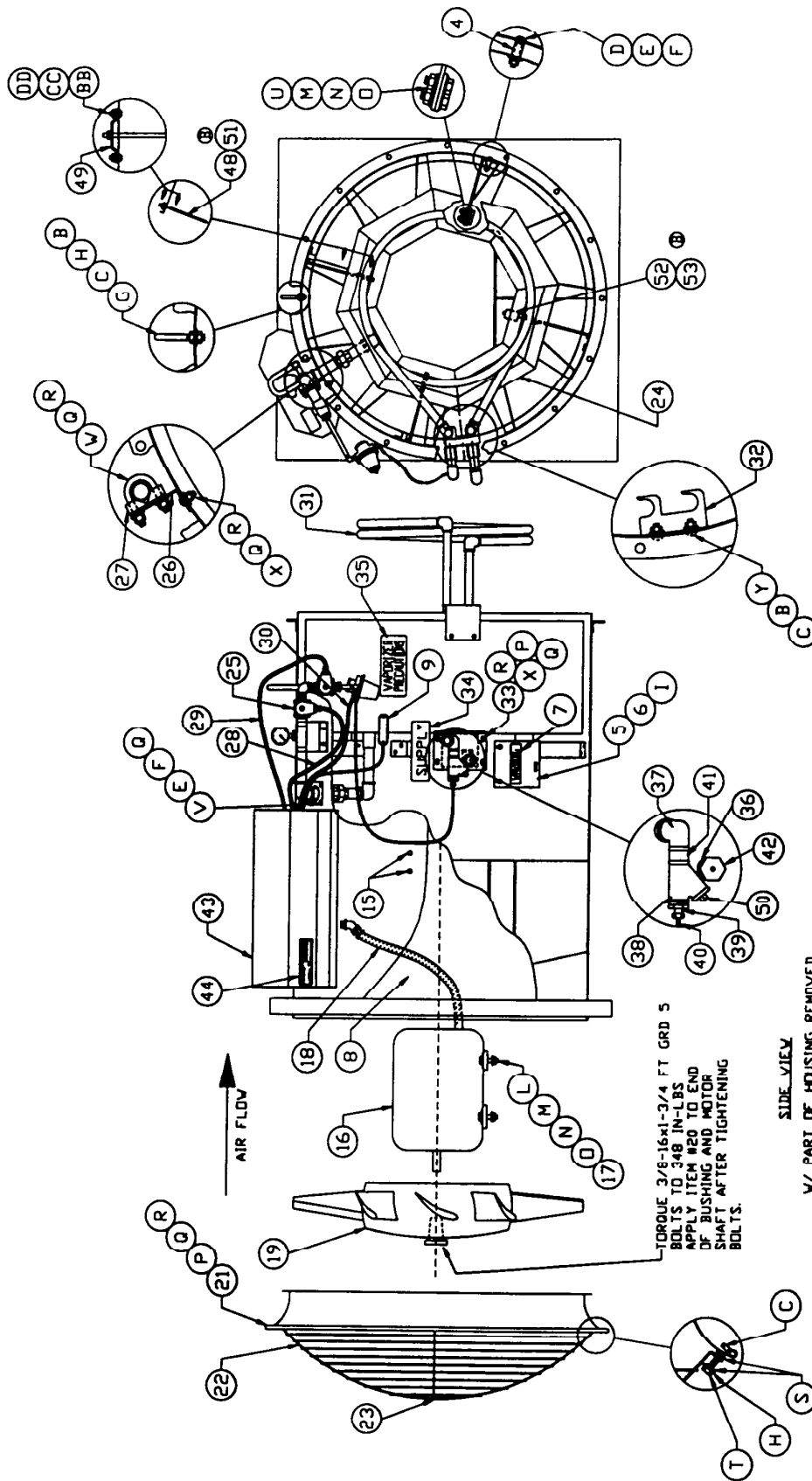


FIG. 7B CF/AB-320 Fan-Heater Assembly

3D-0187

FIG. 8 CF/AB-320 FAN-HEATER CONTROL BOX

415-2160-0 CF/AB-320 FAN-HEATER CTRL. BOX ASSY. - 230V 3-PH . X -
 415-2163-4 CF/AB-320 FAN-HEATER CTRL. BOX ASSY. - 460V 3-PH . - X

<u>Item</u>	<u>Part No.</u>	<u>Description</u>	<u>Qty</u>	<u>Qty</u>
1	043-1007-4	TRANSFORMER - 460V/220V	-	1
2	043-1006-6	TRANSFORMER - 220V/6000V .18 KVA	1	1
3	037-1030-8	NEOPRENE SPACER 1x1x1/4	1	1
4	047-1001-8	FUSE HOLDER 250V 2P F (1/4 x 1-1/4)	1	1
5	050-1001-2	FUSE 5A 230V FERRULE (1/4 x 1-1/4)	2	2
6	006-1188-9	TERMINAL LUG	1	1
7	045-1015-2	TERMINAL STRIP ASSY. - 50A 3-POS	1	1
8	420-2643-5	BURNER CONTROL BOARD ASSY. (w/o Control Relay)	1	1
10	044-1014-8	CONTROL RELAY	1	1
12	069-1126-7	SILICON CAULK	AR	AR
13	048-1049-5	NYLON BUSHING 37/64	2	2
14	048-1032-1	HOLE PLUG - 7/8 DOMED CAP	2	2
15	410-1696-5	CONTROL BOX WELDMENT	1	1
16	401-1055-3	CONTROL BOX LID	1	1
17	023-1028-2	SPRING LATCH	1	1
18	017-1039-1	O RING - 9/16 x 3/4	1	1
19	406-1673-2	GASKET 1/4 x 1/2 x 10-1/16	2	2
20	406-1810-0	GASKET 1/4 x 1/2 x 22-7/8	2	2
21	420-1151-0	DECAL - BURNER CONTROL WIRING	2	2
22	029-1087-5	DECAL - POWER DISCONNECT WARNING	1	1
23	016-1002-1	GROMMET 5/8 x 7/8	-	1
A	090-1359-0	HHCS 1/4-20x5/8 GR#5	2	2
B	091-1049-5	ESNA 1/4-20	2	2
C	092-1006-3	Flat washer 1/4	2	2
D	092-1024-6	Lock washer 1/4 int teeth	1	1
E	090-1193-3	PHST #8x3/8 Type B	4	4
F	090-1482-0	PHST #6x1/2 Type A	2	2
G	090-1405-1	PHST #6-32x7/8 Type F	2	2
H	090-1362-4	RHST #12x1/2 Type A	3	5

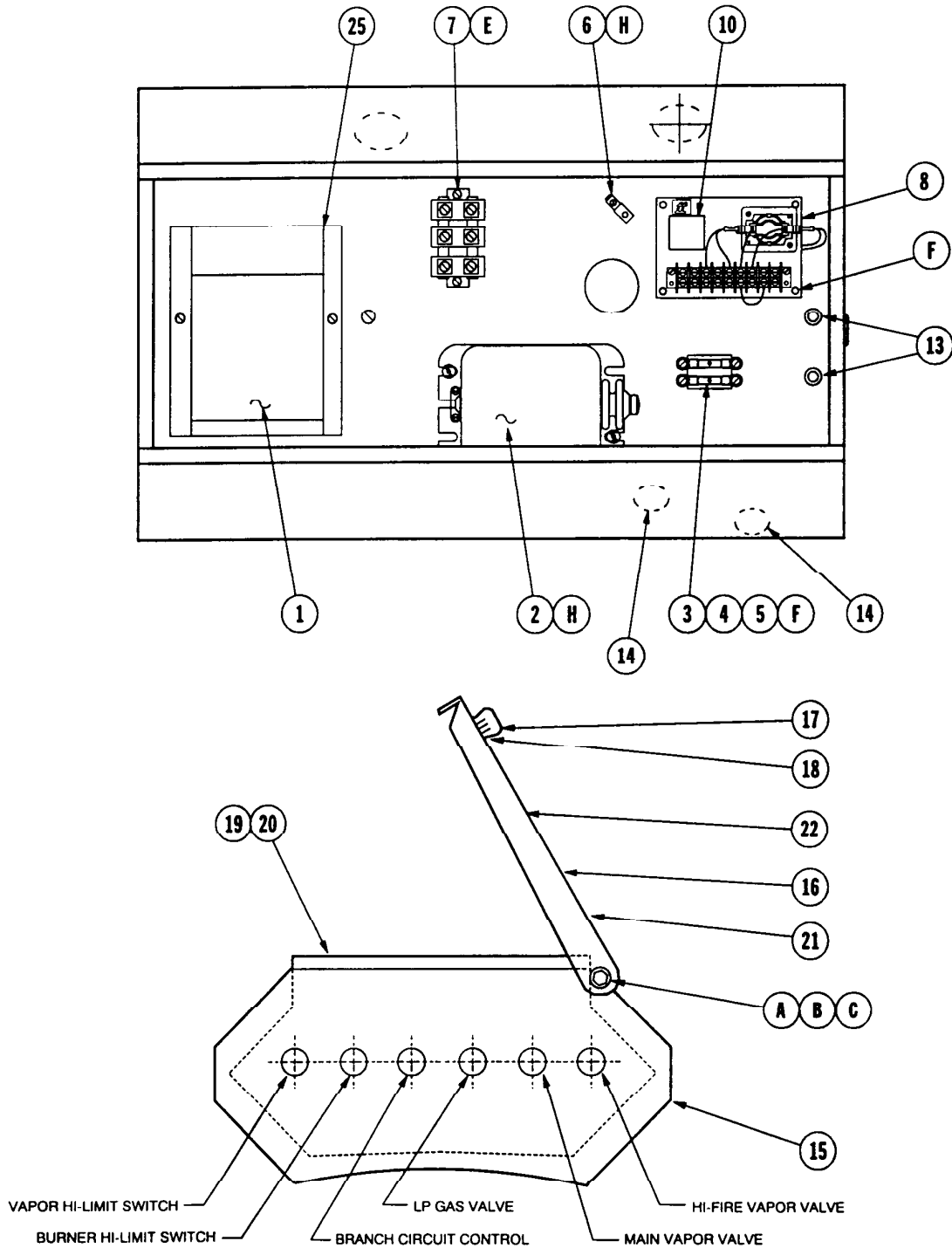


Fig. 8 CF/AB-320 Fan-Heater Control Box 3D-0050

FIG. 9 CF/AB-320 FAN-HEATER PLUMBING

415-3528-7 PLUMBING ASSY. - U2039-N, NAT. GAS MODELS X -
 415-3527-9 PLUMBING ASSY. - U2039-LP, LP MODELS - X

Item	Part No.	Description	Qty	Qty
1	007-1270-3	ELBOW, 1" NPT x 90°	2	2
2	007-1104-4	CLOSE NIPPLE, 1" NPT, SCH 40	1	1
3	007-1294-3	NIPPLE, 1" NPT x 5.5", SCH 40	1	1
4	007-1242-2	NIPPLE, 1" NPT x 2", SCH 40	2	2
5	041-1007-8	PRESSURE GAGE 0-15 PSI, .25NPT-ML	1	1
6	007-1293-5	BUSHING, 1" NPT TO .25 NPT	1	1
7	007-1067-3	BUSHING, 1" NPT TO .50 NPT	2	3
8	007-1285-1	TEE - SIDE OUT, 1", NPT, SCH 40	1	1
9	007-1249-7	NIPPLE, .50", NPT x 1.5, SCH 40	1	2
10	007-1160-6	ELBOW, .50", NPT x 90°, SCH 40	2	2
11	007-1174-7	NIPPLE, .50", NPT x 3, SCH 40	2	2
12	007-1226-5	BALL VALVE, .50" NPT	1	1
13	007-1187-9	ADAPTOR - 3T .5 SAE FLARE .5" NPT	2	2
14	410-1244-4	COPPER TUBE ASSY. 0.5"	1	1
15	031-1017-8	SOLENOID GAS VALVE, 1" NPT	2	2
16	042-1002-7	PRESSURE REGULATOR - 1-50 PSI, .5" NPT	-	1
17	007-1261-2	EL - SIDE OUT, .50" NPT, SCH 40	-	1
18	007-1172-1	NIPPLE, .50" NPT x 2, SCH 40	-	1
19	056-1529-9	THERMISTAT ASSY	-	1
20	007-1770-2	NIPPLE, 1" NPT x 4, SCH 40	1	1
21	007-1253-9	ADPTR - 90°, .5 SAE FL, .50" NP	-	1
22	007-1283-6	ELBOW - SIDE OUT, 1" NPT, SCH 40	1	1
23	007-1105-1	UNION FEM, 1" NPT, SCH 40	1	1
24	007-1215-8	NIPPLE, 1" NPT x 3, SCH 40	1	1
25	406-2001-5	ORIFICE PIPE, 5.5" LG	1	1
26	406-2079-1	ORIFICE - 9/16"	1	-
26	406-2078-3	ORIFICE - 7/16"	-	1
27	401-4091-5	PLUMBING COVER PLATE	1	1

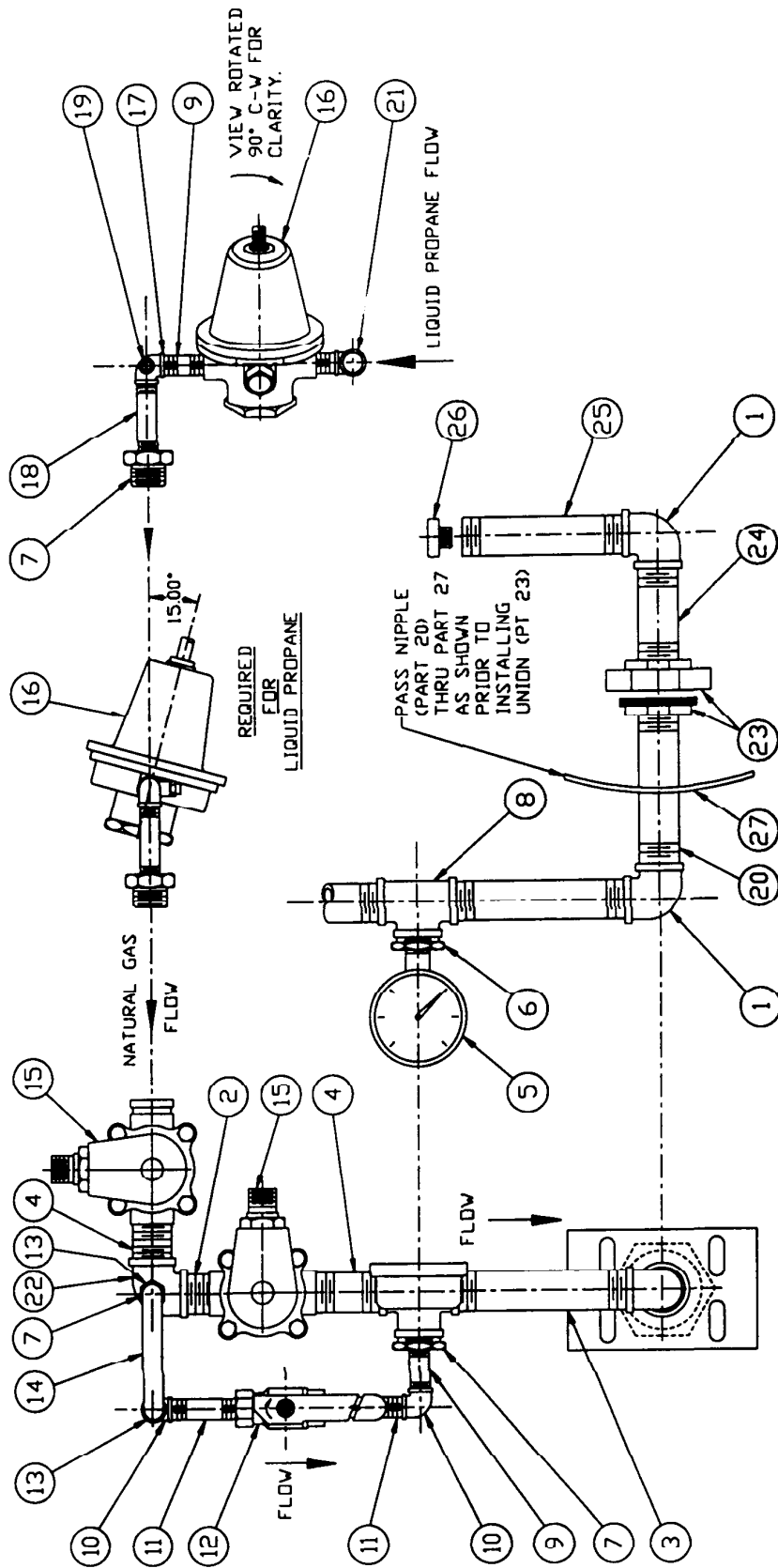


Fig. 9 CF/AB-320 Fan-Heater Plumbing 3C-0393

HARDWARE ABBREVIATION CODES

BBLT	Bin bolt	RHMS	Round head machine screw
CBLT	Carriage head bolt	RHST	Round head self tap
ESNA	Locknut	SFBP	Socket flat head screw
FHMS	Flat head machine screw	SHBP	Square head set screw, beveled point
HFST	Hex flange self tap	SHCN	Square head set screw, cone point
HFWL	Hex flange whiz lock	SHCP	Square head set screw, cup point
HHCS	Hex head cap screw	SKCS	Socket head cap screw
HHST	Hex head self tap	SKCP	Socket head set screw, cup point
HWST	Hex washer self tap	STAP	Self tap
KCSS	Knurl cup set screw	THMB	Thumb screw
PHMS	Pan head machine screw	THWL	Truss head whiz lock
PHST	Pan head self tap	TRSS	Truss head machine screw

