

COMPACT WETBIN INSTALLATION INSTRUCTIONS

FOR THE FOLLOWING CF/AB EXPANDED SERIES DRYERS: CF/AB-400, CF/AB-510, CF/AB-460, and CF/AB-600

The Compact Wet Holding Bin is designed to increase the wet grain holding capacity above the perforated drying section of the grain dryer. The increased wet holding capacity helps to avoid momentary loss of the air seal under inadequate wet grain loading or rapid dry grain discharge conditions.

Figures 1 and 2 show installation tips, basic parts callout, and other general information. For more specific part identification, refer to Figs. 3 to 6, which are matched to particular model dryers. Note that parts lists in Figs. 3 to 6 are divided in two sections, with preassembled parts on the left and field-assembled parts on the right.

INSTALLATION INSTRUCTIONS

The following instructions should be followed in proper sequence.

CAUTION: Disconnect and lock out electrical power before attempting this installation.

Use of an overhead superstructure or lifting device is recommended to allow raising the wetbin/auger assembly by way of the lift brackets provided.

1. Securely attach lift brackets to the top auger cover sheet, evenly spaced from the center in two locations. Use the extra long, 5/16 x 1" self-tapping screws (item AD) to secure brackets. (Brackets form an inverted "Y", as viewed from the end.)
2. Remove all hardware that holds top auger assembly to dryer, and carefully lift auger assembly straight up. Be sure there is sufficient slack in electrical wires and conduit.
3. Install end extension panels using 5/16-18 x 1" bolts (item Z), hex nuts (item AA), and 5/16 flatwashers (item AB). Beveled edge of side flanges should be on top as shown in Fig. 3 detail "B". Front panel (opposite fill end) has (2) square holes for attaching belt guard. Attach only top edge of end panels at this point.

NOTE: Do not fully tighten any hardware until the extension assembly is fully assembled.

4. Assemble (3) long carriage bolts, spacers, nuts, and washers into end panel and spacer mounting bracket as shown in Fig. 1 for later attachment to the belt guard.
5. Install side extension panels using 5/16 x 3/4" self-tapping screws (item AC). Note that splices should coincide with the center auger bearing. Attach only top and outer edges at this point.

NOTE: The side extension panels should be installed on the INSIDE of existing sheet metal and end extension panels.

Focus Sensor Equipment: The right-hand side panel has mounting locations 36" from the fill end for a Focus moisture sensor, sensor guard, and grain sample gate. If Focus control is not to be installed on dryer, install cover plates as shown in Figs. 3 to 6, detail B.

6. Lower the top auger assembly into place, allowing some tension to remain on the lifting device to allow easier hole alignment and screw installation. Attach the bottom edge of end and side panels to the dryer at this time, keeping side panel extensions **INSIDE** of existing sheet metal on the dryer.
7. Install side extension supports where the side extension panels join. Each pair of supports is bolted together on both sides of the sheet flanges, using 5/16-18 x 1" bolts, nuts, and flatwashers. Use 5/16 x 3/4 self-tapping screws (item AC) to attach supports to side panels (see Fig. 2 for illustration).
8. Install and fully tighten all hardware, then relieve lifting tension and remove lifting device.
9. Remove the two bolts that lock motor mount assembly to dryer (these bolts and holes are for shipping purposes only). Swivel the motor assembly upward and secure the free end of the turnbuckle to the **endmost** hole in the motor mount. Use the bolt already attached to end of turnbuckle.
10. Install drive sheaves, belts, and shield. See Fig. 1 and appropriate assembly drawing.
11. Carefully inspect the extension assembly to make certain all parts are properly installed and securely tightened. Make sure to check inside the dryer and remove any hardware that may have dropped into it.

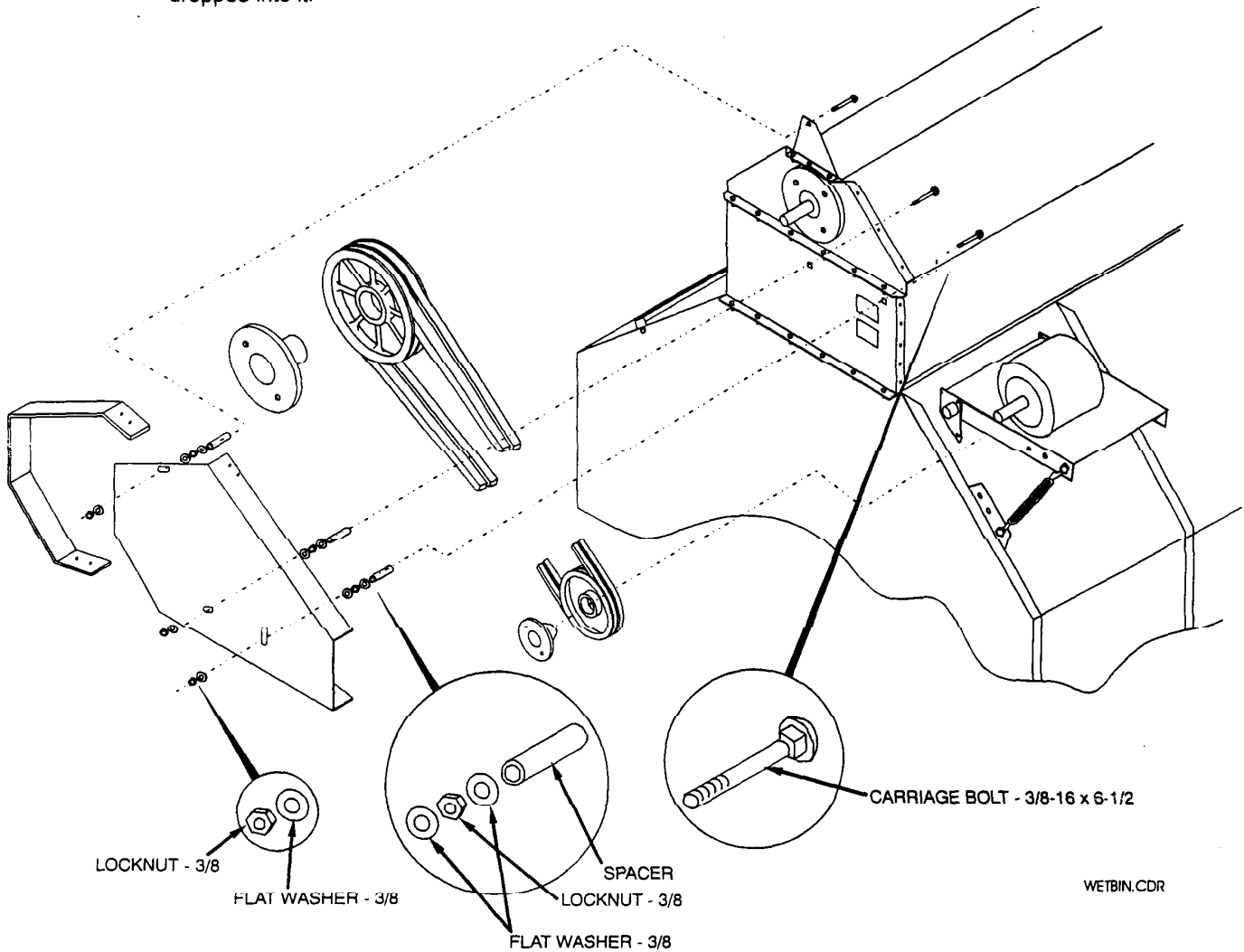


FIG. 1 SHEAVE and BELT GUARD ASSEMBLY

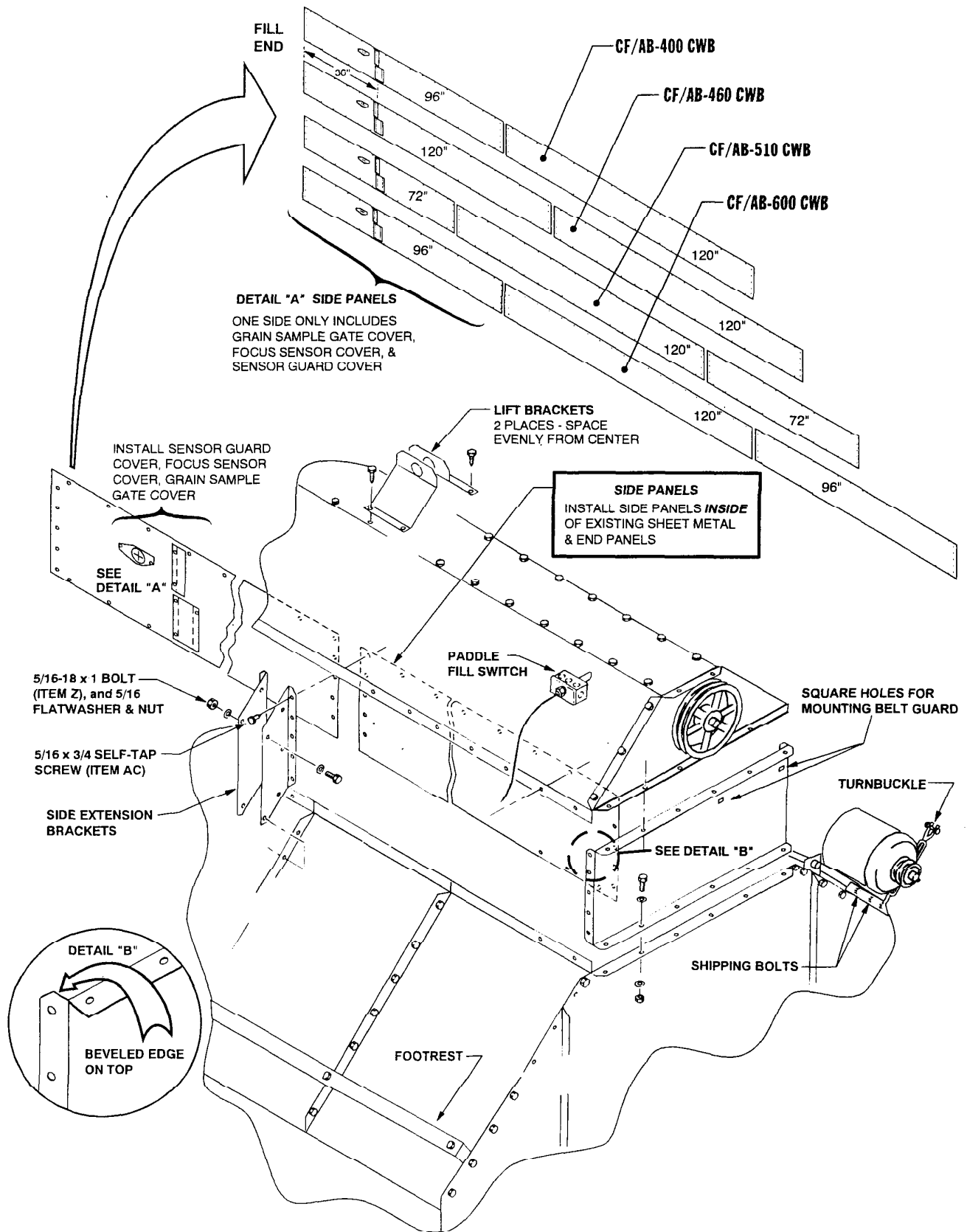


FIG. 2 GENERAL INSTALLATION VIEW

CWETBN3.DS4

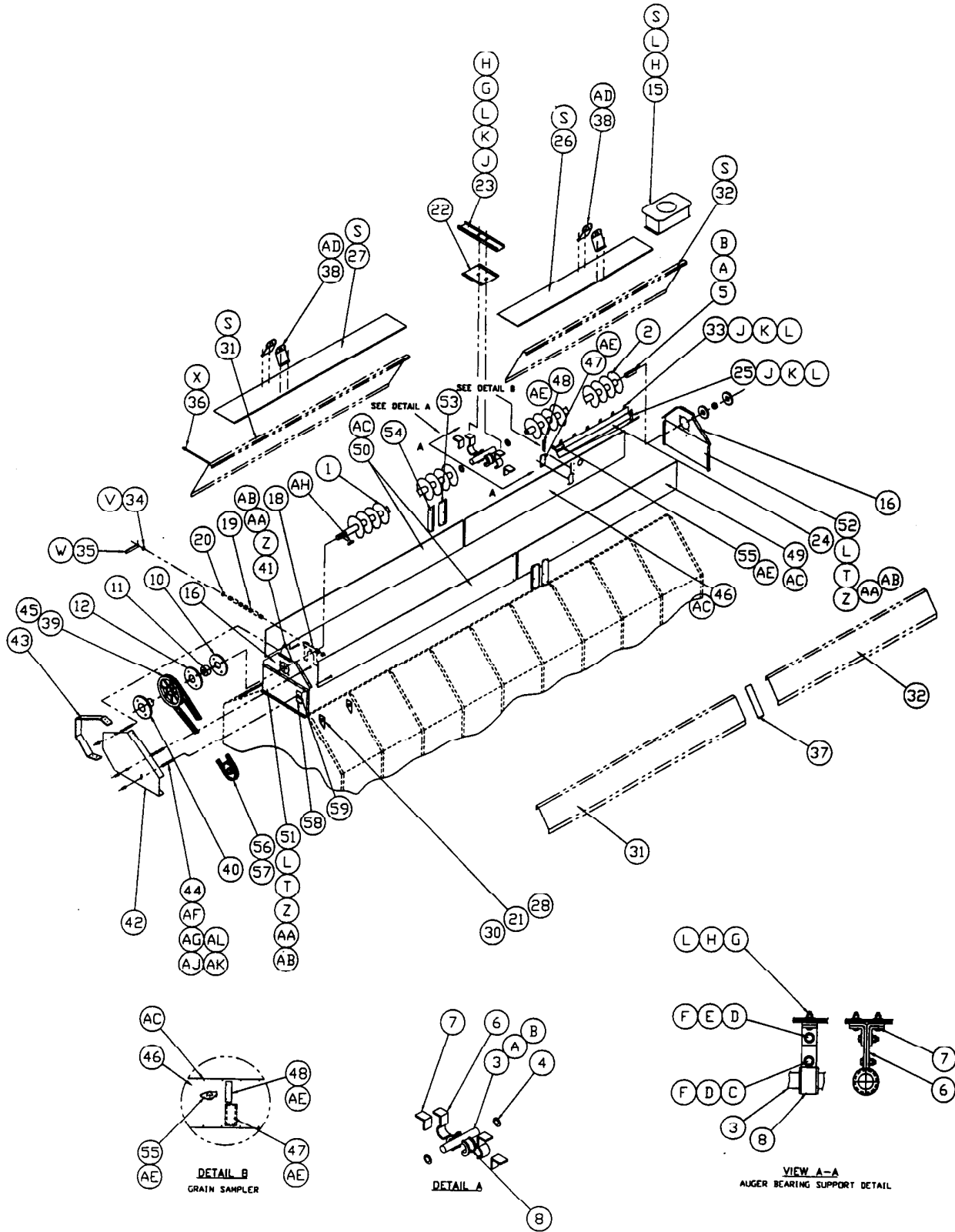


FIG. 3 CF/AB-400 CWB ASSEMBLY, page 1 of 2

3D-0392

PREASSEMBLED PARTS

ITEM	PART		DESCRIPTION	ASSY
	PART NO.	DWG NO.		
	415-3992-5		WET BIN AUGER SUB-ASSY, COMPACT	X
1	301-1482-1	AD23-174	AUGER WELDMNT 117"	1
2	301-1492-0	AD23-155	AUGER WELDMNT - 94"	1
3	320-1075-3	AD72-396	COUPLER	1
4	019-1019-9		MACH BUSHING	2
5	325-2042-1	AD72-503	STUB SHAFT	1
6	313-1032-9	AD72-430	BEARING HANGER	2
7	325-1822-7	AD71-401	HANGER BRACE	2
8	313-1039-4	1C-0729	WOOD BEARING	2
9				
10	017-1006-0	PART ID	FLANGE (PLAIN) 1-1/2"	2
11	017-1004-5	PART ID	BALL BEARING 1-1/2"	2
12	017-1006-0	PART ID	FLANGE (W/LUBE FITTING)	2
13				
14				
15	329-1093-7	AD23-187	FILL HUPPLER ASSY	1
16	401-4067-5	1D-0121	BEARING PLATE	2
17				
18	410-1057-0	1B-0164	PADDLE WELDMNT	1
19	401-1207-0	AD71-236	SWITCH SHAFT	1
20	017-1024-3	PART ID	BEARING NYLINER	2
21	401-4825-6	1B-2237	GUSSET, MOTOR MOUNT	2
22	325-1446-5	AD72-271	CENTER BEARING SUPPORT	1
23	401-4817-3	1B-2212	STABILIZER BEAM	1
24	401-2124-6	1C-0234	TAPERED AUGER TROUGH	1
25	401-4802-5	1B-2189	STRAP-TROUGH MOUNTING	1
26	401-1623-8	1B-0088	AUGER COVER, REAR	1
27	401-1622-0	1B-0088	AUGER COVER, FRONT	1
28				
29				
30				
31	401-1205-4	1C-0042	GARNER SIDE PNL - 120"	REF
32	401-1618-8	1C-0105	GARNER SIDE PNL - 96"	REF
33	401-4801-7	1B-2188	STRAP-TROUGH SUPPORT	6
34	401-4797-7	1A-0837	PLATE-COVER	1
35	406-2208-6	1A-0835	COUNTERWEIGHT	1
36	401-4796-9	1A-0836	BRACKET-COUNTERWEIGHT	1
37	401-1632-9	1B-0338	TROUGH SPLICE	REF
A	093-1027-7		CLEVIS PIN, 7/16X 2-1/4"	6
B	093-1015-2		COTTER PIN 1/8 X 3/4"	6
C	090-1029-9		HHCS 3/8-16 X 1-1/4	5 2
D	090-1329-3		HHCS 3/8-16 X 2	5 2
E	092-1011-3		WASHER, FLAT 3/8	11
F	091-1055-2		ESNA NUT 3/8-16	6
G	090-1294-9		CBLT 5/16-18 X 1-1/2	5 2
H	091-1051-1		ESNA NUT 5/16-18	3
J	091-1037-0		HEX NUT 5/16-18	66
K	090-1070-3		HHCS 5/16-18 X 3/4	5 62
L	092-1008-9		WASHER, FLAT 5/16	114
M	090-1327-7		HHCS 1/2-13 X 1/1/4	5 8
N	092-1015-4		WASHER, FLAT 1/2	16
P	091-1060-2		ESNA NUT 1/2-13	8
R	090-1086-9		HHCS 3/8-16 X 1	5 4
S	096-1015-5		STAP 1/4 X 3/4 A	60
T	090-1291-5		CBLT 5/16-18 X 3/4	5 8
U	092-1027-9		WASHER, LOCK 5/16	8
V	090-1482-0		PHST #6 X 1/2	2
W	090-1141-2		SKCP 5/16-18 X 3/8	1
X	090-1216-2		HHST #14 X 5/8 SLA	2

FIELD-ASSEMBLED PARTS

ITEM	PART		DESCRIPTION	ASSY
	PART NO.	DWG NO.		
	415-3992-5		WET BIN AUGER SUB-ASSY, COMPACT	X
38	401-3703-6	1B-1172	LIFT BRACKET	4
39	018-1035-7	PART ID	SHEAVE, 2TB184	1
40	019-1024-9	PART ID	BUSHING Q1 1-1/2"	1
41	329-1074-7	AD72-584	SPACER MTG BRACKET	1
42	401-4069-1	1C-0968	BELT GUARD	1
43	329-1064-8	AD72-578	BELT GUARD END	1
44	322-1032-0	AD71-364	SPACER	3
45	017-1520-0	PART ID	BELT BX100 (2 MATCHED)	1
46	401-4116-0	1C-0679	SIDE EXT PANEL - 96"	1
47	401-4112-9	1B-1472	GUARD, SENSOR	1
48	401-4111-1	1A-0729	PLATE, SENSOR COVER	1
49	401-3664-0	1C-0679	SIDE EXT PANEL - 96"	1
50	401-3663-2	1C-0679	SIDE EXT PANEL - 120"	2
51	401-4070-9	1C-0971	END EXT PANEL (FRONT)	1
52	401-3665-7	1C-0680	END EXT PANEL (REAR)	1
53	401-3661-6	1C-0678	SIDE EXT SUPPORT - RH	2
54	401-3662-4	1C-0678	SIDE EXT SUPPORT - LH	2
55	401-4195-4	1B-1541	SAMPLER, GRAIN	1
56	018-1045-6		SHEAVE, 2BK40H	1
57	019-1015-7		BUSHING, H-1-1/8	1
58	323-1028-6	AD41-019	DECAL - BELT GUARD	1
59	323-1066-6	AD41-034	DECAL - SHIELDS	1
60		3D-0183	INSTRUCTIONS	1
Z	090-1072-9		HHCS 5/16-18 X 1	36
AA	091-1037-0		HEX NUT 5/16-18	36
AB	092-1008-9		WASHER, FLAT 5/16	36
AC	090-1492-9		HFST 5/16 X 3/4 A	190
AD	090-1466-3		HFST 5/16 X 1	8
AE	090-1617-1		HFST 1/4 X 1/2 B	8
AF	092-1011-3		WASHER, FLAT 3/8	9
AG	091-1055-2		ESNA NUT 3/8-16	3
AH	094-1009-3		KEY, 3/8 X 3/8 X 2-1/2"	1
AJ	090-1088-5		HHCS 3/8-16 X 1-1/4	5 1
AK	090-1311-1		CBLT 3/8-16 X 6 1/2	3
AL	091-1040-4		HEX NUT 3/8-16	3

FIG. 3 CF/AB-400 CWB ASSEMBLY, page 2 of 2

3D-0392

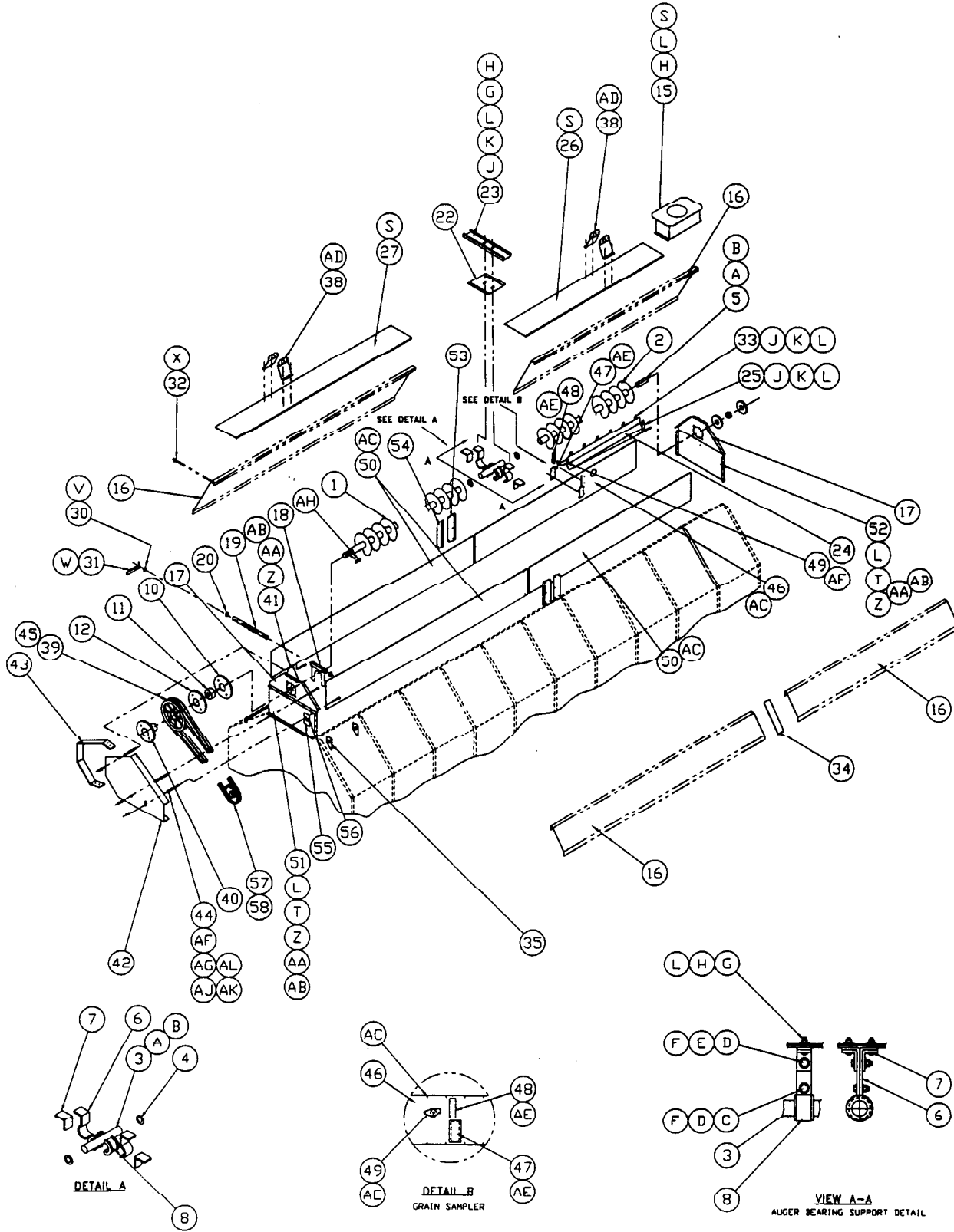


FIG. 4 CF/AB-460 CWB ASSEMBLY, page 1 of 2

3D-0399

PREASSEMBLED PARTS

	PART		DESCRIPTION	ASSY
	415-3998-2	WET BIN	AUGER SUB-ASSY, COMPACT	X
ITEM	PART NO.	DWG NO.	DESCRIPTION	QTY
1	301-1482-1	AD23-174	AUGER WELDMENT - 117"	1
2	301-1463-1	AD23-155	AUGER WELDMENT - 118"	1
3	320-1075-3	AD72-396	COUPLER	1
4	019-1019-9		MACH BUSHING	2
5	325-2042-1	AD72-503	STUB SHAFT	1
6	313-1032-9	AD72-430	BEARING HANGER	2
7	325-1822-7	AD71-401	HANGER BRACE	2
8	313-1039-4	1C-0729	WOOD BEARING	2
9				
10	017-1006-0	PART ID	FLANGE (PLAIN) 1-1/2"	2
11	017-1004-5	PART ID	BALL BEARING 1-1/2"	2
12	017-1006-0	PART ID	FLANGE (W/LUBE FITTING)	2
13				
14				
15	329-1093-7	AD23-187	FILL HOPPER ASSY	1
16	401-1205-4	1C-0042	GARNER SIDE PNL - 120"	REF
17	401-4067-5	1D-0121	BEARING PLATE	2
18	410-1057-0	1B-0164	PADDLE WELDMENT	1
19	401-1207-0	AD71-236	SWITCH SHAFT	1
20	017-1024-3	PART ID	BEARING NYLINER	2
21				
22	325-1446-5	AD72-271	CENTER BEARING SUPPORT	1
23	401-4817-3	1B-2212	STABILIZER BEAM	1
24	401-2124-6	1C-0234	TAPERED AUGER TROUGH	1
25	401-4802-5	1B-2189	STRAP-TROUGH MOUNTING	1
26	401 1206 2	1D 0000	AUGER COVER, REAR	1
27	401-1622-0	1B-0088	AUGER COVER, FRONT	1
28				
29				
30	401-4797-7	1A-0837	COVER PLATE	1
31	406-2208-6	1A-0835	COUNTERWEIGHT	1
32	401-4796-9	1A-0836	C'WEIGHT BRACKET	1
33	401-4801-7	1B-2188	STRAP-TROUGH SUPPRT	6
34	401-1632-9	1B-0338	TROUGH SPLICE	REF
35	401-4823-6	1B-2237	GUSSET, MOTOR MOUNT	2
A	093-1027-7		CLEVIS PIN, 7/16X 2-1/4"	6
B	093-1015-2		COTTER PIN 1/8 X 3/4"	6
C	090-1029-9		HHCS 3/8-16 X 1-1/4	5 2
D	090-1329-3		HHCS 3/8-16 X 2	5 2
E	092-1011-3		WASHER, FLAT 3/8	21
F	091-1055-2		ESNA NUT 3/8-16	6
G	090-1294-9		CBLT 5/16-18 X 1-1/2	5 2
H	091-1051-1		ESNA NUT 5/16-18	3
J	091-1037-0		HEX NUT 5/16-18	82
K	090-1070-3		HHCS 5/16-18 X 3/4	5 78
L	092-1008-9		WASHER, FLAT 5/16	130
M	090-1327-7		HHCS 1/2-13 X 1/1/4	5 8
N	092-1015-4		WASHER, FLAT 1/2	16
P	091-1060-2		ESNA NUT 1/2-13	8
R	090-1086-9		HHCS 3/8-16 X 1	5 4
S	096-1015-5		STAP 1/4 X 3/4 A	76
T	090-1291-5		CBLT 5/16-18 X 3/4	5 8
U	092-1027-9		WASHER, LOCK 5/16	8
V	090-1482-0		PHST #6 X 1/2	2
W	090-1141-2		SKCP 5/16-18 X 3/8	1
X	090-1216-2		HHST #14 X 5/8 SLA	2

FIELD-ASSEMBLED PARTS

	PART		DESCRIPTION	ASSY
	415-3998-2	WET BIN	AUGER SUB-ASSY, COMPACT	X
ITEM	PART NO.	DWG NO.	DESCRIPTION	QTY
38	401-3703-6	1B-1172	LIFT BRACKET	4
39	018-1035-7	PART ID	SHEAVE, 2TB1B4	1
40	019-1024-9	PART ID	BUSHING Q1 1-1/2"	1
41	329-1074-7	AD72-584	SPACER MTG BRACKET	1
42	401-4069-1	1C-0968	BELT GUARD	1
43	329-1064-8	AD72-578	BELT GUARD END	1
44	322-1032-0	AD71-364	SPACER	3
45	017-1520-0	PART ID	BELT BX100 (2 MATCHED)	1
46	401-4115-2	1C-0679	SIDE EXT PANEL - 120"	1
47	401-4112-9	1B-1472	GUARD, SENSOR	1
48	401-4111-1	1A-0729	PLATE, SENSOR COVER	1
49	401-4195-4	1B-1541	SAMPLER, GRAIN	1
50	401 3663 2	1C-0679	SIDE EXT PANEL - 120"	3
51	401-4070-9	1C-0971	END EXT PANEL (FRONT)	1
52	401-3665-7	1C-0680	END EXT PANEL (REAR)	1
53	401-3661-6	1C-0678	SIDE EXT SUPPORT - RH	2
54	401-3662-4	1C-0678	SIDE EXT SUPPORT - LH	2
55	323-1028-6	AD41-019	DECAL - BELT GUARD	1
56	323-1066-6	AD41-034	DECAL - SHIELDS	1
57	018-1045-6		SHEAVE, 2BK40H	1
58	019-1023-1		BUSHING, H-1-3/8	1
59		3D-0217	INSTRUCTIONS	1
Z	090 1072 2		HHCS 5/16-18 X 1	48
AA	091-1037-0		HEX NUT 5/16-18	48
AB	092-1008-9		WASHER, FLAT 5/16	48
AC	090-1492-9		HFST 5/16 X 3/4 A	202
AD	090-1466-3		HFST 5/16 X 1	8
AE	090-1617-1		HFST 1/4 X 1/2 B	8
AF	092-1011-3		WASHER, FLAT 3/8	9
AG	091-1055-2		ESNA NUT 3/8-16	3
AH	094-1009-3		KEY, 3/8 X 3/8 X 2-1/2"	1
AJ	090-1088-5		HHCS 3/8-16 X 1-1/4	5 1
AK	090-1311-1		CBLT 3/8-16 X 6 1/2	3
AL	091-1040-4		HEX NUT 3/8-16	3

FIG. 4 CF/AB-460 CWB ASSEMBLY, page 2 of 2

3D-0399

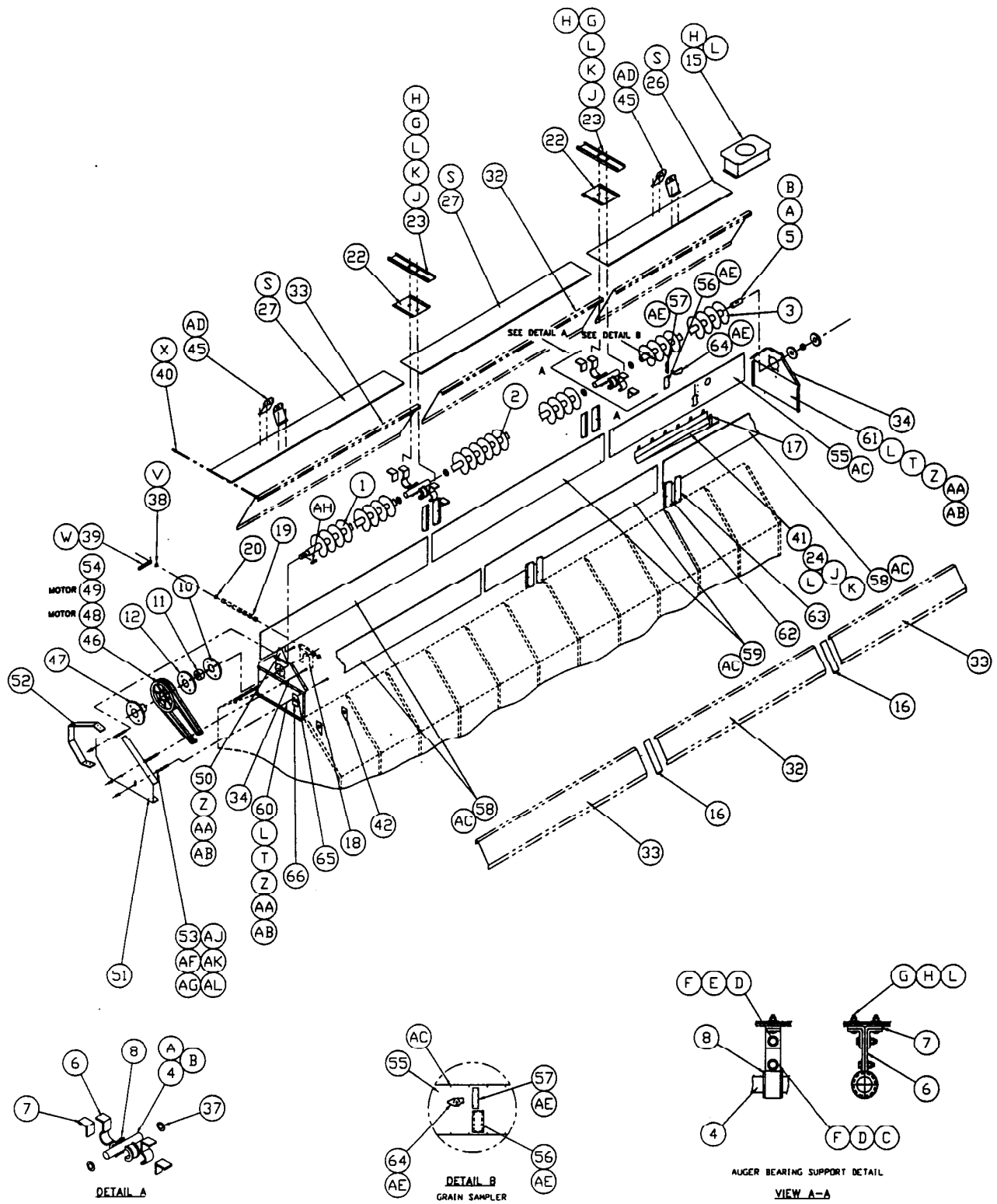


FIG. 5 CF/AB-510 CWB ASSEMBLY, page 1 of 2

3D-0389

PREASSEMBLED PARTS

ITEM	PART		DESCRIPTION	ASSY
	PART NO.	DWG NO.		
	415-3987-5		WET BIN AUGER SUB-ASSY, COMPACT	X
1	301-1477-1	AD23-168	AUGER WELDMENT - 93"	1
2	301-1492-0	AD23-155	AUGER WELDMENT - 94"	1
3	301-1474-8	AD23-155	AUGER WELDMENT - 70"	1
4	320-1075-3	AD72-396	COUPLER	2
5	325-2042-1	AD72-503	STUB SHAFT	1
6	313-1032-9	AD72-430	BEARING HANGER	4
7	325-1822-7	AD71-401	HANGER BRACE	4
8	313-1039-4	1C-0729	WOOD BEARING	4
9				
10	017-1006-0	PART ID	FLANGE (PLAIN) 1-1/2"	2
11	017 1004 5	PART ID	BALL BEARING 1-1/2"	2
12	017-1006-0	PART ID	FLANGE (W/LUBE FITTING)	2
13				
14				
15	329-1093-7	AD23-187	FILL HOPPER ASSY	1
16	401-1632-9	1B-0338	TROUGH SPLICE	REF
17	401-4802-5	1B-2189	STRAP-TROUGH MOUNTING	1
18	410-1057-0	1B-0164	PADDLE WELDMENT	1
19	401-1207-0	AD71-236	SWITCH SHAFT	1
20	017-1024-3	PART ID	BEARING NT LINER	2
21				
22	325-1446-5	AD72-271	CENTER BEARING SUPPORT	2
23	401-4817-3	1B-2212	STABILIZER BEAM	2
24	401-2124-6	1C-0234	TAPERED AUGER TROUGH	1
25				
26	401-1623-8	1B-0088	AUGER COVER	1
27	401-4406-5	1B-0088	AUGER COVER	2
28				
29				
30				
31				
32	401-1205-4	1C-0042	GARNER SIDE PNL - 120"	REF
33	401-1618-8	1C-0105	GARNER SIDE PNL - 96"	REF
34	401-4067-5	1D-0121	BEARING PLATE	2
35				
36				
37	019-1019-9	AD71-520	MACH BUSH #19	4
38	401-4797-7	1A-0837	COVER PLATE	1
39	406-2208-6	1A-0835	COUNTERWEIGHT	1
40	401-4796-9	1A-0836	C'WEIGHT BRACKET	1
41	401-4801-7	1B-2188	STRAP-TROUGH SUPPORT	6
42	401-4825-6	1B-2237	GUSSET, MOTOR MOUNT	2
A	093-1027-7		CLEVIS PIN, 7/16X 2-1/4"	6
B	093-1015-2		COTTER PIN 1/8 X 3/4"	6
C	090-1029-9		HHCS 3/8-16 X 1-1/4	5 2
D	090-1329-3		HHCS 3/8-16 X 2	5 2
E	092-1011-3		WASHER, FLAT 3/8	20
F	091-1055-2		ESNA NUT 3/8-16	9
G	090-1294-9		CBLT 5/16-18 X 1-1/2	5 2
H	091-1051-1		ESNA NUT 5/16-18	3
J	091-1037-0		HEX NUT 5/16-18	98
K	090-1070-3		HHCS 5/16-18 X 3/4	5 94
L	092-1008-9		WASHER, FLAT 5/16	170
M	090-1327-7		HHCS 1/2-13 X 1/1/4	5 8
N	092-1015-4		WASHER, FLAT 1/2	16
P	091-1060-2		ESNA NUT 1/2-13	8
R	090-1086-9		HHCS 3/8-16 X 1	5 4
S	096-1015-5		STAP 1/4 X 3/4 A	75
T	090-1291-5		CBLT 5/16-18 X 3/4	5 8
U	092-1027-9		WASHER, LOCK 5/16	8
V	090-1482-0		PHST #6 X 1/2	2
W	090-1141-2		SKCP 5/16-18 X 3/8	1
X	090-1216-2		HHST #14 X 5/8 SLA	2

FIELD-ASSEMBLED PARTS

ITEM	PART		DESCRIPTION	ASSY
	PART NO.	DWG NO.		
	415-3987-5		WET BIN AUGER SUB-ASSY, COMPACT	X
45	401-3703-6	1B-1172	LIFT BRACKET	4
46	018-1035-7	PART ID	SHEAVE, 2TB184	1
47	019-1024-9	PART ID	BUSHING Q1 1-1/2"	1
48	018-1045-6	PART ID	SHEAVE 2BK40H	1
49	019-1023-1	PART ID	BUSHING H-1 3/8	1
50	329-1074-7	AD72-584	SPACER MTG BRACKET	1
51	401-4069-1	1C-0968	BELT GUARD	1
52	329-1064-8	AD72-578	BELT GUARD END	1
53	322-1032-0	AD71-364	SPACER	3
54	017-1520-0	PART ID	BELT BX100 (2 MATCHED)	1
55	401 4117 0	1C-0679	SIDE EXT PANEL - 72"	1
56	401-4112-9	1B-1472	GUARD, SENSOR	1
57	401-4111-1	1A-0729	PLATE, SENSOR COVER	1
58	401-3702-8	1C-0679	SIDE EXT PANEL - 72"	3
59	401-3663-2	1C-0679	SIDE EXT PANEL - 120"	2
60	401-4070-9	1C-0971	END EXT PANEL (FRONT)	1
61	401-3665-7	1C-0680	END EXT PANEL (REAR)	1
62	401-3661-6	1C-0678	SIDE EXT SUPPORT - RH	4
63	401-3662-4	1C-0678	SIDE EXT SUPPORT - LH	4
64	401-4123-4	1B-1341	SAMPLER, URKAIN	1
65	323-1028-6	AD41-019	DECAL - BELT GUARD	1
66	323-1066-6	AD41-034	DECAL - SHIELDS	1
67		3D-0323	INSTRUCTIONS	1
Z	090-1072-9		HHCS 5/16-18 X 1	72
AA	091-1037-0		HEX NUT 5/16-18	72
AB	092-1008-9		WASHER, FLAT 5/16	72
AC	090-1492-9		HFST 5/16 X 3/4 A	300
AD	090-1466-3		HFST 5/16 X 1	8
AE	090-1617-1		HFST 1/4 X 1/2 B	8
AF	092-1011-3		WASHER, FLAT 3/8	2
AG	091-1055-2		ESNA NUT 3/8-16	3
AH	094-1009-3		KEY, 3/8 X 3/8 X 2-1/2"	1
AJ	090-1088-5		HHCS 3/8-16 X 1-1/4	5 1
AK	090-1311-1		CBLT 3/8-16 X 6 1/2	3
AL	091-1040-4		HEX NUT 3/8-16	3

FIG. 5 CF/AB-510 CWB ASSEMBLY, page 2 of 2

3D-0389

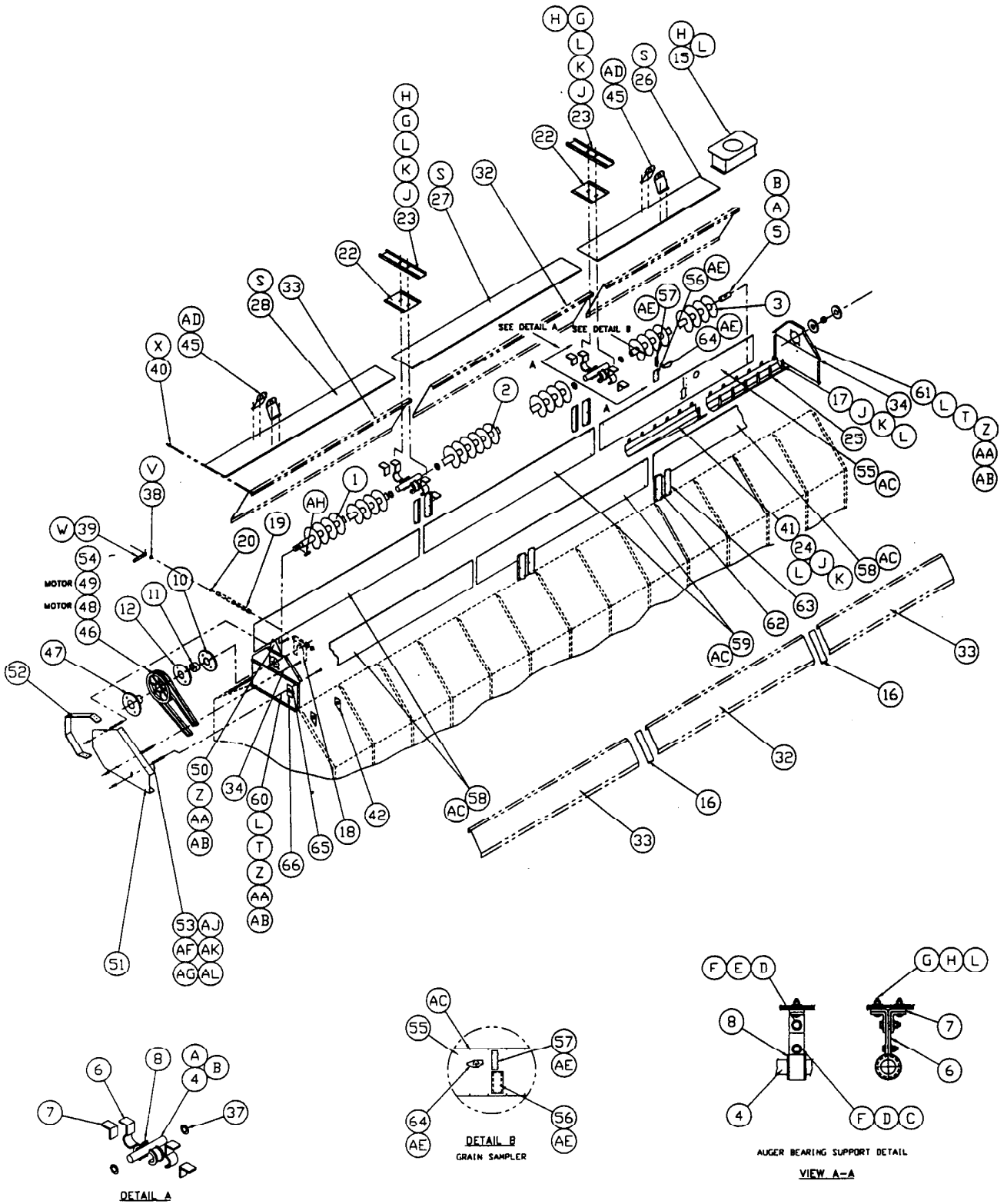


FIG. 6 CF/AB-600 CWB ASSEMBLY, page 1 of 2

3D-0400

PREASSEMBLED PARTS

ITEM	PART		DESCRIPTION	ASSY
	PART NO.	DWG NO.		
	415-3999-0	WET BIN	AUGER SUB-ASSY, COMPACT	X
1	410-1594-2	2C-0131	AUGER WLD'MT - XH 93'	1
2	410-1693-2	2D-0023	AUGER WLD'MT - XH 118'	1
3	410-1593-4	2D-0019	AUGER WLD'MI - XH 94'	1
4	320-1075-3	AD72-396	COUPLER	2
5	325-2042-1	AD72-503	STUB SHAFT	1
6	313-1032-9	AD72-430	BEARING HANGER	4
7	325-1822-7	AD71-401	HANGER BRACE	4
8	313-1039-4	1C-0729	WOOD BEARING	4
9				
10	017-1006-0	PART ID	FLANGE (PLAIN) 1-1/2'	2
11	017-1004-5	PART ID	BALL BEARING 1-1/2'	2
12	017-1006-0	PART ID	FLANGE (W/LUBE FITTING)	2
13				
14				
15	329-1093-7	AD23-187	FILL HOPPER ASSY	1
16	401-1632-9	1B-0338	TROUGH SPLICE	REF
17	401-4802-5	1B-2189	STRAP-TROUGH MOUNTING	7
18	410-1057-0	1B-0164	PADDLE WELDMENT	1
19	401-1207-0	AD71-236	SWITCH SHAFT	1
20	017-1024-3	PART ID	BEARING NYLINER	2
21				
22	325-1446-5	AD72-271	CENTER BEARING SUPPORT	2
23	401-4817-3	1B-2212	STABILIZER BEAM	2
24	401-2124-6	1C-0234	TAPERED AUGER TROUGH	1
25	401-4051-9	1C-0944	AUGER TROUGH	1
26	401-1623-8	1B-0088	AUGER COVER	1
27	401-4406-5	1B-0088	AUGER COVER	1
28	401-1622-0	1B-0088	AUGER COVER	1
29				
30				
31				
32	401-1205-4	1C-0042	GARNER SIDE PNL - 120"	REF
33	401-1618-8	1C-0105	GARNER SIDE PNL - 96"	REF
34	401-4067-5	1D-0121	BEARING PLATE	2
35				
36				
37	019-1019-9	AD71-520	MACH BUSH #19	4
38	401-4797-7	1A-0837	COVER PLATE	1
39	406-2208-6	1A-0835	COUNTERWEIGHT	1
40	401-4796-9	1A-0836	C'WEIGHT BRACKET	1
41	401-4801-7	1B-2188	STRAP-TROUGH SUPPORT	12
42	401-4825-6	1B-2237	GUSSET, MOTOR MOUNT	2
A	093-1027-7		CLEVIS PIN, 7/16X 2-1/4"	6
B	093-1015-2		COTTER PIN 1/8 X 3/4"	6
C	090-1029-9		HHCS 3/8-16 X 1-1/4	5
D	090-1329-3		HHCS 3/8-16 X 2	5
E	092-1011-3		WASHER, FLAT 3/8	20
F	091-1055-2		ESNA NUT 3/8-16	9
G	090-1294-9		CBLT 5/16-18 X 1-1/2	5
H	091-1051-1		ESNA NUT 5/16-18	3
J	091-1037-0		HEX NUT 5/16-18	98
K	090-1070-3		HHCS 5/16-18 X 3/4	5
L	092-1008-9		WASHER, FLAT 5/16	170
M	090-1327-7		HHCS 1/2-13 X 1/1/4	5
N	092-1015-4		WASHER, FLAT 1/2	16
P	091-1060-2		ESNA NUT 1/2-13	8
R	090-1086-9		HHCS 3/8-16 X 1	5
S	096-1015-5		STAP 1/4 X 3/4 A	75
T	090-1291-5		CBLT 5/16-18 X 3/4	5
U	092-1027-9		WASHER, LOCK 5/16	8
V	090-1482-0		PHST #6 X 1/2	2
W	090-1141-2		SKCP 5/16-18 X 3/8	1
X	090-1216-2		HHST #14 X 5/8 SLA	2

FIELD-ASSEMBLED PARTS

ITEM	PART		DESCRIPTION	ASSY
	PART NO.	DWG NO.		
	415-3999-0	WET BIN	AUGER SUB-ASSY, COMPACT	X
45	401-3703-6	1B-1172	LIFT BRACKET	4
46	018-1035-7	PART ID	SHEAVE, 2TB184	1
47	019-1024-9	PART ID	BUSHING Q1 1-1/2'	1
48	018-1045-6	PART ID	SHEAVE 2BK40H	1
49	019-1023-1	PART ID	BUSHING H-1 3/8	1
50	329-1074-7	AD72-584	SPACER MTG BRACKET	1
51	401-4069-1	1C-0968	BELT GUARD	1
52	329-1064-8	AD72-578	BELT GUARD END	1
53	322-1032-0	AD71-364	SPACER	3
54	017-1520-0	PART ID	BELT BX100 (2 MATCHED)	1
55	401-1116-0	1C-0679	SIDE EXT PANEL - 96'	1
56	401-4112-9	1B-1472	GUARD, SENSOR	1
57	401-4111-1	1A-0729	PLATE, SENSOR COVER	1
58	401-3664-0	1C-0679	SIDE EXT PANEL - 96'	3
59	401-3663-2	1C-0679	SIDE EXT PANEL - 120'	2
60	401-4070-9	1C-0971	END EXT PANEL (FRONT)	1
61	401-3665-7	1C-0680	END EXT PANEL (REAR)	1
62	401-3661-6	1C-0678	SIDE EXT SUPPORT - RH	4
63	401-3662-4	1C-0678	SIDE EXT SUPPORT - LH	4
64	401-4195-4	1B-1541	SAMPLER, GRAIN	1
65	323-1028-6	AD41-019	DECAL - BELT GUARD	1
66	323-1066-6	AD41-034	DECAL - SHIELDS	1
67		3D-0323	INSTRUCTIONS	1
Z	090-1072-9		HHCS 5/16-18 X 1	72
AA	091-1037-0		HEX NUT 5/16-18	72
AB	092-1008-9		WASHER, FLAT 5/16	72
AC	090-1492-9		HFST 5/16 X 3/4 A	300
AD	090-1466-3		HFST 5/16 X 1	8
AE	090-1617-1		HFST 1/4 X 1/2 B	8
AF	092-1011-3		WASHER, FLAT 3/8	9
AG	091-1055-2		ESNA NUT 3/8-16	3
AH	094-1009-3		RET, 3/8 X 3/8 X 2-1/2"	1
AJ	090-1088-5		HHCS 3/8-16 X 1-1/4	5
AK	090-1311-1		CBLT 3/8-16 X 6 1/2	3
AL	091-1040-4		HEX NUT 3/8-16	3

FIG. 6 CF/AB-600 CWB ASSEMBLY, page 2 of 2

3D-0400



FARM FANS

Division of ffi Corporation

5900 Elmwood Ave. • Indianapolis, IN 46203

©1996 ffi Corporation

Printed in U.S.A.