

OPERATING INFORMATION for DRYERS EQUIPPED with OPTIONAL ETN-01 and ETN-02 ELECTRONIC MOISTURE CONTROL

This bulletin provides supplemental information for Farm Fans dryers which have been factory equipped with the optional "ETN" electronic moisture control system. The ETN type MC control provides more accurate regulation and replaces the mechanical type M.C. thermostat (part no. 27-021) as shown and described in the Installation and Operation Manual. Please read the following information and keep this bulletin within your manual for future parts and circuit reference.

The "ETN" system consists essentially of a RTD type temperature averaging sensor and a solid state low-temperature-differential controller. The sensor is located within the grain column and extends the full length of the dryer. Both the controller and sensor act to provide an improved system for maintaining the desired final average grain moisture content.

The following illustration shows a typical view of a ETN control mounted within a dryer ASC box. For electrical connection information of the ETN control within the dryer control circuit, see the enclosed wiring diagram.

While the advanced ETN control may appear different, the control function and the setting instructions for the electronic control are the same as for the mechanical thermostat (27-021). Refer to Installation and Operation Manual for moisture check adjustment instructions.

MAIN ETN COMPONENTS PARTS LIST

PART NO.	DESCRIPTION	QUANTITY	
		ETN-01	ETN-02
--	ETN-01 MC Option (CF/AB 150, 190 & 270)	X	
--	ETN-02 MC Option (CF/SA-410, CMS-J Series and AB-250, AB-350 & AB-500)	-	X
056-1726-1	Temp. Control Ass'y. - Single Point	1	1
401-3794-5	Adapter Plate, MC	1	1
415-2664-1	RTD Junction Box Ass'y, w/72" conduit & sensor	1	-
415-2665-8	RTD Junction Box Ass'y, w/96" conduit & sensor	-	1
44-067	Replacement Temp. Sensor (22', 1000 OHM @ 70°F)	1	1

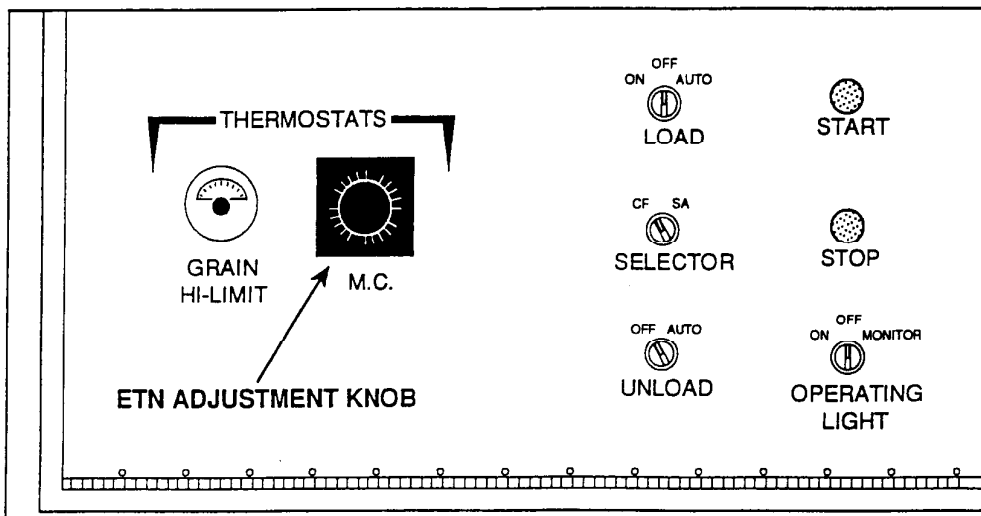


Fig. 1 Typical dryer with ETN MC option installed.

ETNPANEL.DRW

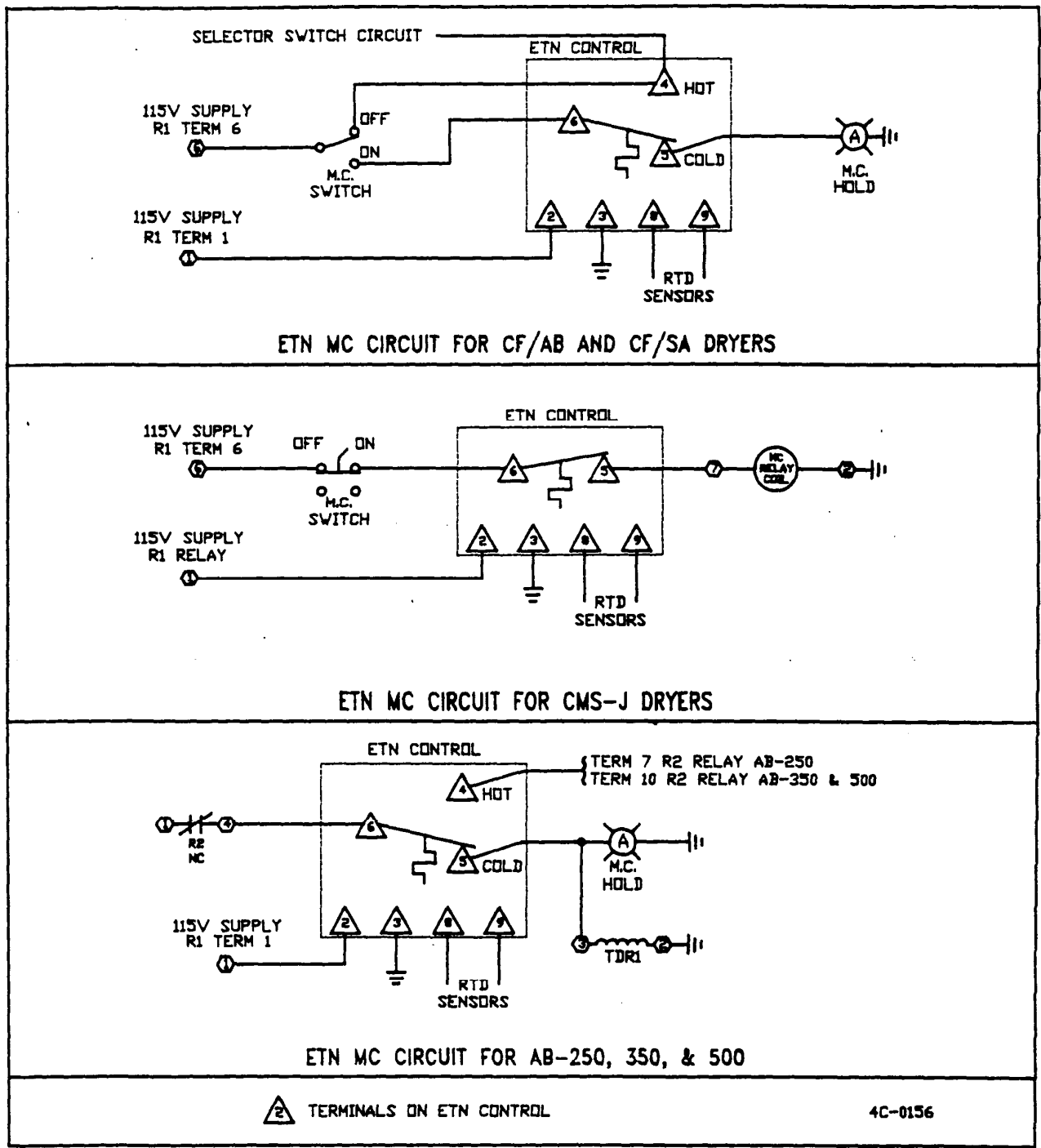


FIG. 2 - DIAGRAM SHOWING ETN MC OPTION CONNECTIONS IN DRYER CONTROL CIRCUIT

