

INSTALLATION INSTRUCTIONS FOR DRYER OPERATOR LIGHT

DESCRIPTION

The dryer operator light is designed to act as either a dryer monitor signal light, or a nighttime convenience light.

The three position switch provides ON, OFF, or MONITOR operation. When the switch is in ON position, the light will stay on regardless if the dryer is operating or shut down. When the switch is in MONITOR position, the light will be ON only when the dryer is operating.

NOTE: With a very slight change in the wiring connections to the R1 relay, the monitor function can be reversed to cause the light to be off when the dryer is operating and to automatically come on when the dryer shuts down. Refer to note at bottom of wiring diagrams for connection details.

The 115 volt light circuit described within these instructions is intended for 100 watt bulb operation. Do not install an oversize bulb as it may overload the circuit.

LIGHT KIT APPLICATION CHART

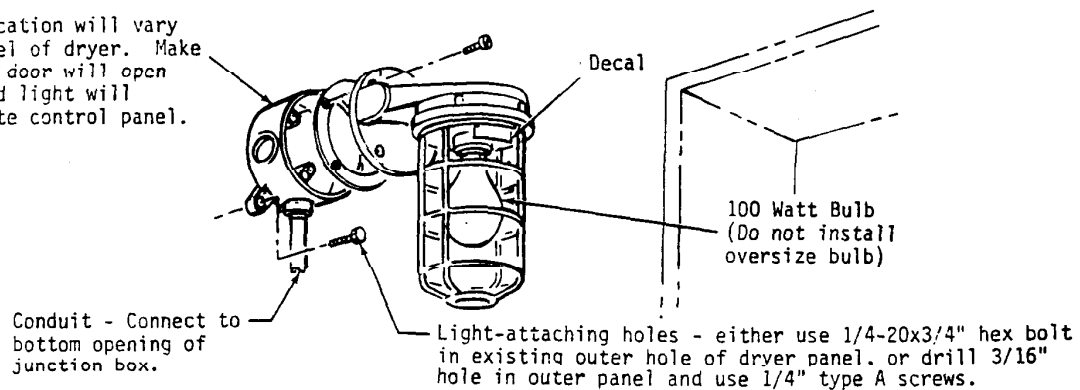
Kit No.	Model of Dryer
DOL-100	1 Ph. Models - AB-8B, 12B, 120A & 180A
DOL-101	1 Ph. Models - AB-250A, 350A, 500A, CMS-J & CMS-H
DOL-300	3 Ph., 220 Volt Models - AB-8B, 12B, 120A & 180A
DOL-301	3 Ph., 220 Volt Models - AB-250A, 350A, 500A, CMS-J & CMS-H
DOL-340	3 Ph., 440 Volt Models - AB-250A, 350A, 500A, CMS-J & CMS-H

KIT INSTALLATION

The following instructions outline the required procedures for field installing all of the operator light kits listed within the application chart. These condensed procedures are intended for use by experienced Farm Fans service personnel.

1. ALL MODEL DRYERS - Shut-off main power supply to dryer and install light assembly and conduit parts as follows:
 - A. Assemble connectors onto ends of conduit. Connect end with straight connector into bottom opening of light junction box. Connect black and white wires to light, then install bulb, decal and assemble light assembly.

Light location will vary with model of dryer. Make sure ASC door will open fully and light will illuminate control panel.



FARM FANS, INC.

5900 ELMWOOD AVENUE • INDIANAPOLIS, INDIANA 46203

- B. Connect 90° connector end of conduit into an unused entrance hole of dryer ASC control box.
- C. Position light to desired location on outer front panel of dryer, near the top outside edge, then mark and drill the attaching hole locations.

NOTE: Make sure light location will allow ASC box door to open fully and properly illuminate the control panel. The 1/4-20 x 3/4" hex. bolt within the hardware kit can be used to secure outside ear of junction box to one of the existing outer holes in the front panel.

2. ALL MODEL DRYERS - Install light switch as follows:

- A. Mark desired location of switch on deadfront.

NOTE: Some model dryers are equipped with a spare 1/2" hole which can be used for mounting the switch.

- B. Drill 1/2" hole, install switch decal and mount switch onto deadfront.
- C. Run wires from UPPER and LOWER switch terminals to R₁ relay terminals No. 6 and 8, as shown in light wiring diagrams.

3. Refer to appropriate heading and complete light installation as described:

1 PHASE, 230 VOLT MODELS ONLY - Run a wire from the MIDDLE switch terminal and connect it to the BLACK conduit wire. Connect the WHITE conduit wire to GROUND on load center.

3 PHASE MODELS ONLY - Should be connected as follows:

- A. Mount light relay base and relay within ASC box. This relay is indicated as R_L within the 3 phase wiring diagrams.
- B. Run a wire from MIDDLE switch terminal to R_L terminal No. 7.
- C. Run a white wire from R_L terminal No. 2 to dryer GROUND on load center
- D. Run a wire from R_L terminal No. 3 and connect it to the BLACK conduit wire.
- E. 3 PH., 220 VOLT MODELS ONLY - Connect WHITE conduit wire to GROUND. Refer to note within 3 phase, 220 volt wiring diagram and run wire from load side of 6 amp fuse to R_L terminal No. 1.

NOTE: The 3 phase, 220 volt light wiring diagram assumes the dryer power supply has a four wire electric service with one of the leads connected to the neutral lug of the circuit breaker load center. With these systems it is important to check for the 110 volt potential, as described within note of diagram.

Other 3 phase, 220 volt power supplies without the fourth wire connected to neutral lug of load center, and "one leg of 3 phase grounded" systems, will require a separate operator light transformer, Part No. 43-007. The internal wires of the light transformer should be connected the same as those shown for the control circuit transformer within the 220 volt diagram.

F. 3 PH., 440 VOLT MODELS ONLY -

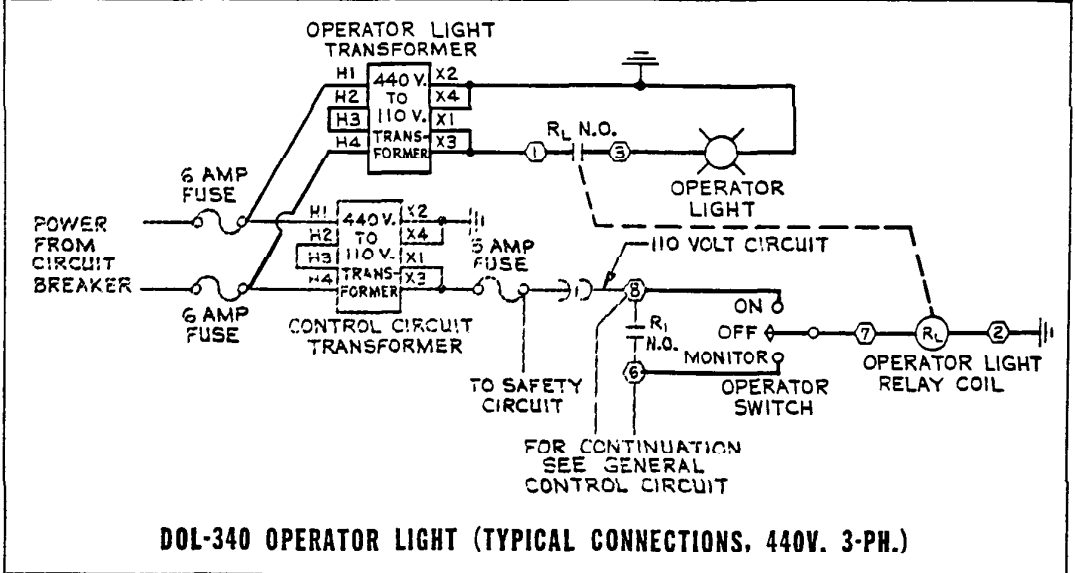
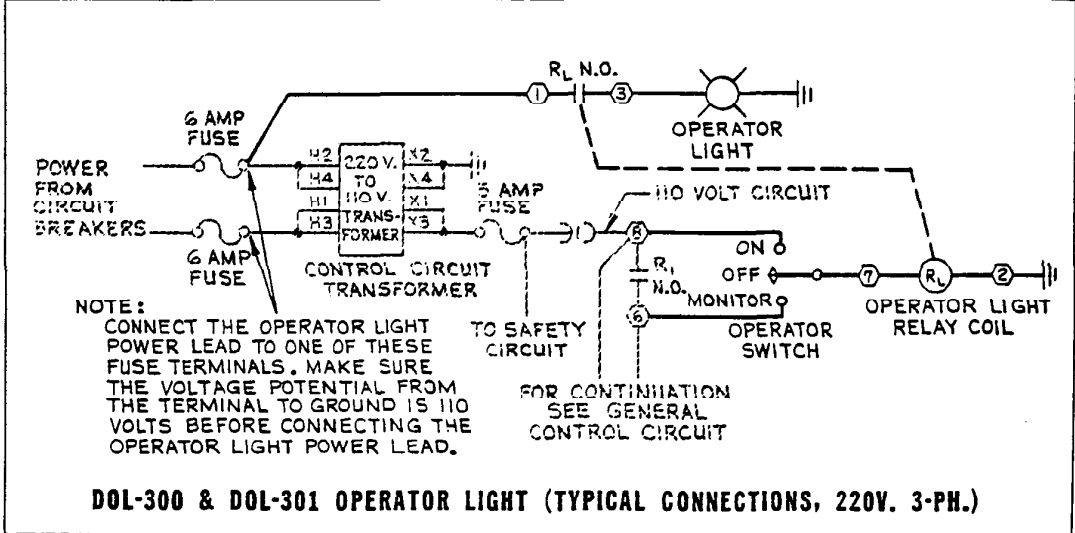
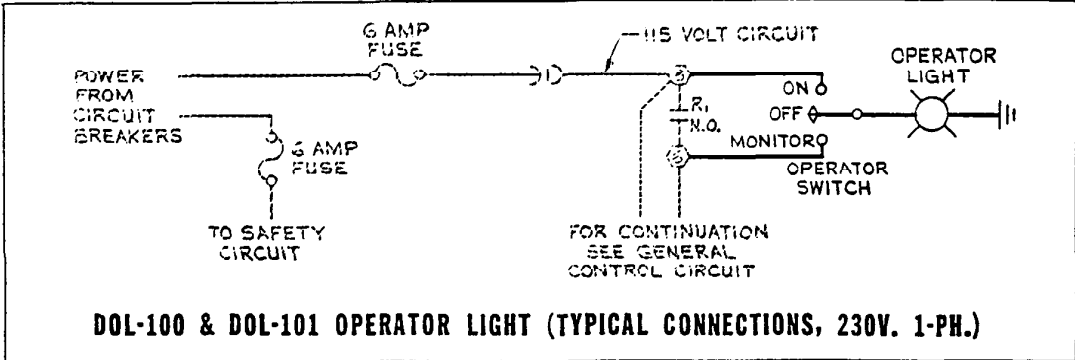
- F.1 - Install operator light transformer within ASC box. Refer to 3 phase, 440 volt light wiring diagram for transformer wire connections.
- F.2 - Run wire from R_L terminal No. 1 to transformer X₁ and X₃ wires.
- F.3 - Run wire from transformer X₂ and X₄ wires and connect it to WHITE conduit wire.
- F.4 - Run wires from LOAD SIDE of 6 amp fuses and connect to transformer H₁ and H₄ wires, as shown within 3 phase, 440 volt light wiring diagram.

4. Recheck the light installation to ensure all parts are properly installed and connected.
5. Set operator light switch to ON position, reapply main power supply, turn on appropriate circuit breaker(s) and check that light operates.

NOTE: On most dryers (except CMS-H & J Series), the light power supply is controlled by the fan circuit breaker(s). Refer to appropriate dryer power circuit wiring diagram for exact details.

PARTS LIST

Part No.	Description	DOL-100	DOL-101	DOL-300	DOL-301	DOL-340
35-008	Light Assembly	1	1	1	1	1
----	Light Bulb - 100 Watt, 115V. Standard	1	1	1	1	1
510-28-26	Toggle Switch	1	1	1	1	1
44-014	Relay - D.P.D.T., 115V.	-	-	1	1	1
55-025	Relay Base	-	-	1	1	1
420-1019-9	Decal - Switch Identification	1	1	1	1	1
420-1025-6	Decal - Bulb Size	1	1	1	1	1
420-1026-4	Tag - 3 Phase Connecting Information	-	-	1	1	-
43-007	Transformer (440 Volt Models Only)	-	-	-	-	1
415-1081-9	Conduit Assembly	1	-	1	-	-
415-1080-1	Conduit Assembly	-	1	-	1	1



With the above wiring connections and the operator switch in the "Monitor" position, the light will be on while the dryer is operating. To reverse this monitor function, whereby the light will be off during dryer operation and on when there is a dryer shut-down, connect the operator switch monitor position lead to terminal 5 on the R₁ control circuit relay, instead of terminal 6, as shown above.