

# H & M SERIES GRAIN DRYERS

## PARTS SUPPLEMENT

This supplement covers design changes to the ASC and PSC electrical control panels in 1997 and later H and M series grain dryers.

This Supplement supersedes information found within the standard H and M series parts manuals CMSH-01-3, M/CMS-01-3, and M/CF-01-3.

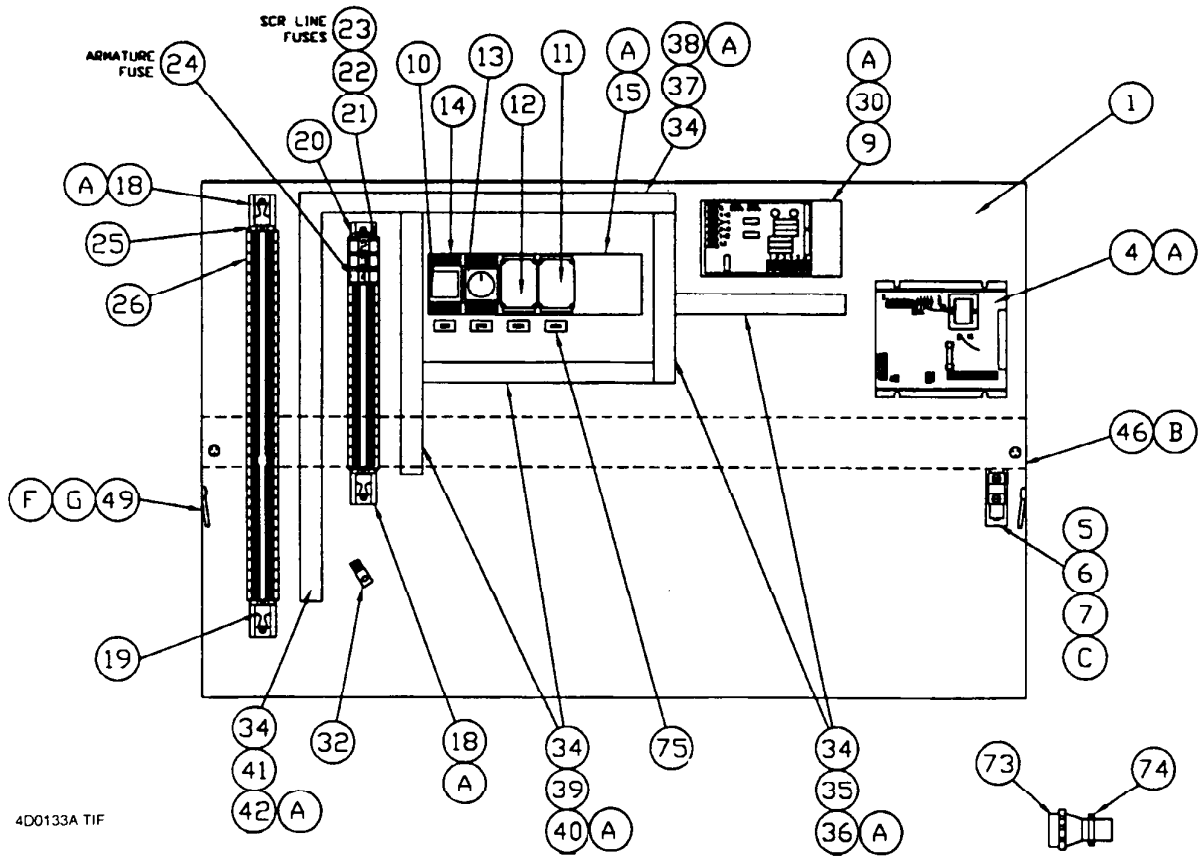
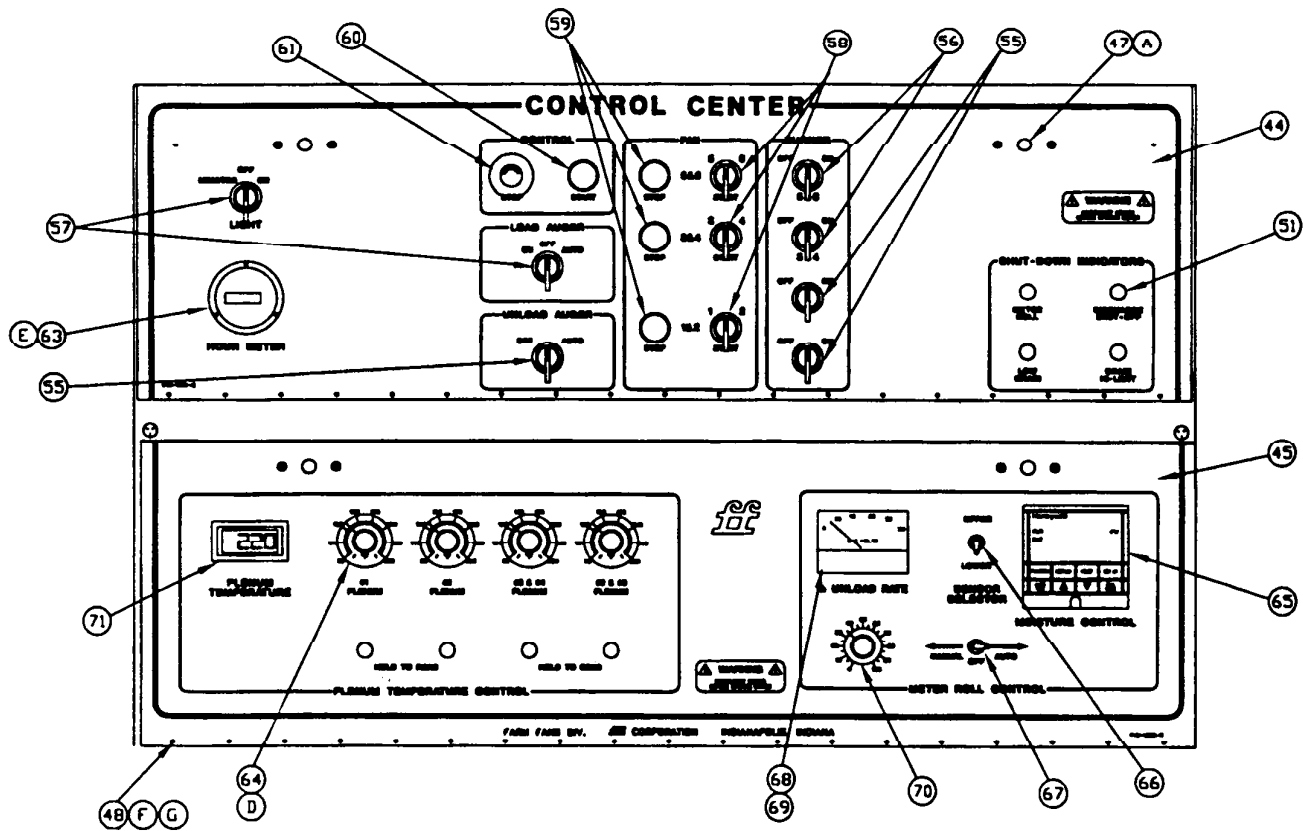
### CONTENTS

Fig. 1	ASC assembly, all CF H and M models	2
Fig. 2	ASC assembly, all CMS H and M models	4
Fig. 3	PSC Panel Assembly, 1 Phase H Series models	6
Fig. 4	PSC Panel Assembly, 230V 3 Phase H models	8
Fig. 5	PSC Panel Assembly, 440V 3 Phase H models	10
Fig. 6	PSC Panel Assembly, 230V 3 Phase M models	12
Fig. 7	PSC Panel Assembly, 440V 3 Phase M models	14
Fig. 8	Branch Circuit Box, all H and M models	16
	Hardware abbreviation codes	18



**FARM FANS**

Division of ffi Corporation  
5900 Elmwood Ave. • Indianapolis, IN 46203  
© 1997 ffi Corporation Printed in USA



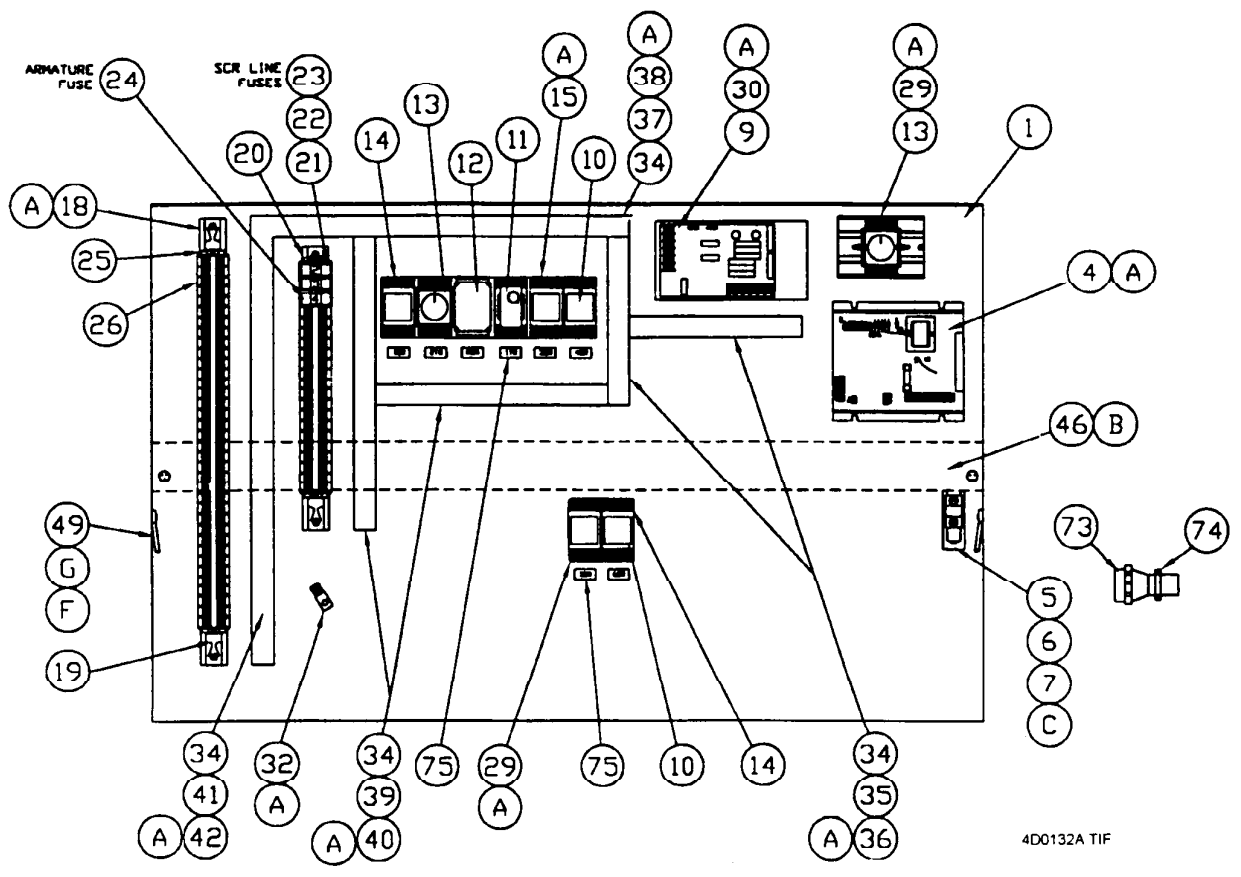
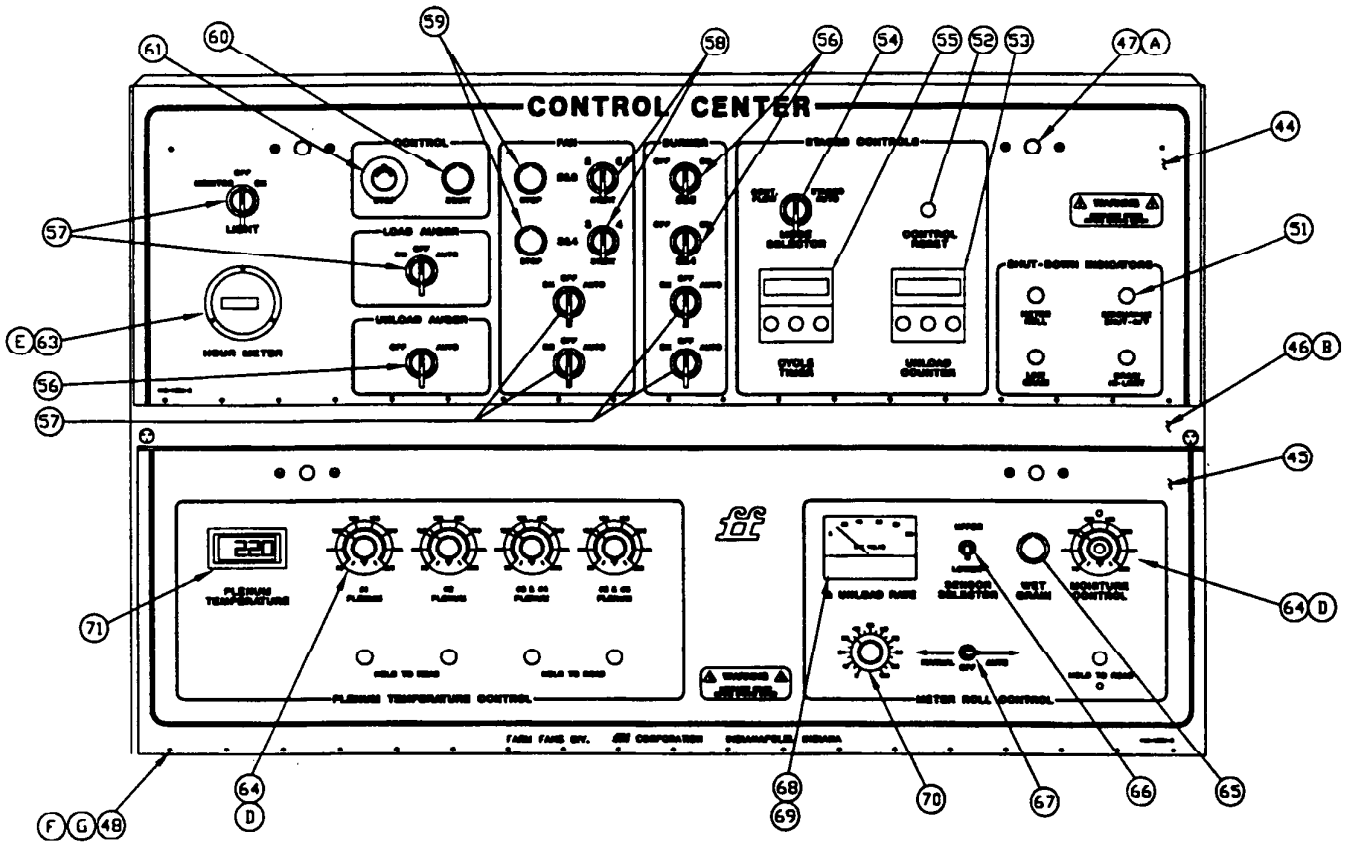
4D0133A TIF

Fig. 1 ASC assembly, all CF H and M models, p. 1 of 2

PART NO.		DESCRIPTION		ASSEMBLY
415-2956-1		CF-500H & CF-650M ASC ASSEMBLY		X
415-2957-9		CF-1000H, 750H, 850H & 1300H ASC ASSEMBLY		X
415-2958-7		CF-1500H, 750H & 2000M ASC ASSEMBLY		X
ITEM	PART NO.	DWG. NO.	DESCRIPTION	QUANTITY
1	410-1896-1	2C-0304	WELDMNT, H&M ASC CHASSIS	1 1 1
4	415-2302-8	3C-0359	SCR MOTOR CONTROL	1 1 1
5	056-1086-0		D/L RELAY BRACKET	1 1 1
6	056-1086-1		D/L RELAY 27A 1 POLE	1 1 1
7	056-1204-9		HEATER ELEMENT C3.01A	1 1 1
9	056-1931-7		SAFETY CIRCUIT ASSY	1 1 1
10	044-1018-9		RELAY, 8 PIN 5A 115V COIL	1 1 1
11	056-1844-2		AUTO RANGE MODULE	1 1 1
12	056-1800-4		METER ROLL MONITOR	1 1 1
13	056-1365-8		TIMER 6 SEC / 12 MIN	1 1 1
14	055-1019-3		8 PIN RELAY BASE	4 4 4
15	021-1055-9	D72-018	MOUNTING TRACK 10"	1 1 1
18	056-1832-7		TERM MOUNTING CHANNEL	2 2 2
19	054-1020-4		TERMINAL RETAINER	4 4 4
20	056-1834-3		FUSE BLOCK END BARRIER	1 1 1
21	056-1836-8		FUSE BLOCK	3 3 3
22	056-1838-4		FUSE PULLER	3 3 3
23	056-1867-3		FUSE 10A 600V	2 2 2
24	050-1008-7		FUSE 5A 600V	1 1 1
25	056-1833-5		TERM BLOCK END BARRIER	3 3 3
26	056-1831-9		TERMINAL BLOCKS	485357
30	021-1065-8	1B-1569	MOUNTING TRACK 8"	1 1 1
32	006-1188-9		GROUND LUG	1 1 1
34	021-1047-6		PANDUIT CLIPS	1 31 31 3
35	406-1550-2	D72-124	WIREWAY 8"	2 2 2
36	406-1552-8	D72-125	WIREWAY COVER 8"	2 2 2
37	006-1119-4	D72-124	WIREWAY 16"	1 1 1
38	006-1120-2	D72-125	WIREWAY COVER 16"	1 1 1
39	021-1075-7	D72-124	WIREWAY 10"	2 2 2
40	021-1079-9	D72-125	WIREWAY COVER 10"	2 2 2
41	406-1549-4	D72-124	WIREWAY 22"	1 1 1
42	406-1551-0	D72-125	WIREWAY COVER 22"	1 1 1
44	410-1831-8	1D-0125	UPPER ASC DEADFRONT CF-H&M	1 1 1
45	410-1832-6	3D-0156	LOWER ASC DEADFRONT	1 1 1
46	401-1133-8	1B-0060	MOUNTING CHANNEL	1 1 1
47	023-1023-3		SPRING LATCH	4 4 4
48	325-1774-0		CLOSURE HINGE	2 2 2
49	420-1063-7	AD21-309	DEADFRONT SUPPORT	4 4 4
51	035-1004-7		INDICATOR LIGHT AMBER	4 4 4
55	415-2804-2		SWITCH, 2 POS SELECTOR ASSY	2 2 2
56	415-2962-9	3C-0365	SWITCH, 2 POS SELECTOR	4 4 4
57	415-2960-3	3C-0365	SWITCH, 3 POS SELECTOR	2 2 2
58	415-2954-6	3C-0365	SWITCH, 3 POS SELECTOR	3 3 3
59	415-2801-9	3C-0365	EXTENDED RED PB ASSY	3 3 3
60	415-2800-1	3C-0365	ILLUMINATED GREEN PB ASSY	1 1 1
61	415-2953-8	3C-0365	RED MUSHROOM PB ASSY	1 1 1
63	044-1026-2		HOUR METER, 5 DIGIT	1 1 1
64	415-3255-7	4B-0274	ZYTRON TEMP CONTROL	2 3 4
65	415-2812-6	3C-0391	MOISTURE CONTROL	1 1 1
66	026-1041-8		SWITCH, TOGGLE DPDT	1 1 1
67	056-1798-0		SWITCH, TOGGLE 3 POS 9 SPADE	1 1 1
68	056-1471-4		DC VOLT METER, 0-100VDC	1 1 1
69	056-1869-9		RESISTOR, 54.9K 1/4W 1%	1 1 1
70	056-1644-6		OK SPEED KNOB	1 1 1
71	056-1902-8		TEMPERATURE METER	1 1 1
73	055-1024-3		37 PIN MALE PLUG	1 1 1
74	054-1041-0		CLAMP	1 1 1
75	420-1376-3	4C-0283	DECAL - 'CF-H&M'	1 1 1
76	038-1835-8		WIRE SET	1 - -
76	038-1834-1		WIRE SET	- 1 -
76	038-1828-3		WIRE SET	- - 1
A	090-1193-3		PHST #8 X 3/8 TYPE 'B'	545454
B	090-1287-3		CARRIAGE BOLT 1/4-20 X 1/2	4 4 4
C	090-1198-2		HHST 1/4 X 1/2 TYPE 'B'	2 2 2
D	090-1252-7		10-32 X 1/2	101010
E	090-1190-9		PHST #6 X 3/8 TYPE 'B'	3 3 3
F	095-1005-8		POP RIVIT 1/8 X 1/4	808080
G	092-1001-4		FLAT WASHER #6	808080

4D0133B TIF

Fig. 1 ASC assembly, all CF H and M models, p. 2 of 2



4D0132A TIF

Fig. 2 ASC assembly, all CMS H and M models, p. 1 of 2

PART NO.		DESCRIPTION		ASSEMBLY	
415-2949-6		CMS 650M ASC ASSEMBLY		X	
415-2950-4		CMS-500M ASC ASSEMBLY		X	
415-2951-2		CMS-1000H, 750H, 850H & 1300M ASC ASSEMBLY		X	
415-2952-0		CMS-1500H, 1250H & 2000M ASC ASSEMBLY		X	
ITEM	PART NO.	DWG. NO.	DESCRIPTION	QUANTITY	
1	410-1896-1	2C-0304	WELDMENT, H&M ASC CHASSIS	1	1
4	415-3019-7	3C-0409	SCR MOTOR CONTROL	1	1
5	056-1086-0		D/L RELAY BRACKET	1	1
6	056-1062-1		D/L RELAY 27A 1 POLE	1	1
7	056-1204-9		HEATER ELEMENT C301A	1	1
9	056-1931-7		SAFETY CIRCUIT ASSY	1	1
10	044-1018-9		RELAY, 8 PIN 5A 115V COIL	5	5
11	056-1795-6		TIMER 100 SEC	1	1
12	056-1800-4		METER ROLL MONITOR	1	1
13	056-1365-8		TIMER 6 SEC / 12 MIN	2	2
14	055-1019-3		8 PIN RELAY BASE	8	8
15	021-1055-9	D72-018	MOUNTING TRACK 10"	1	1
18	056-1832-7		TERM MOUNTING CHANNEL	2	2
19	054-1020-4		TERMINAL RETAINER	4	4
20	056-1834-3		FUSE BLOCK END BARRIER	1	1
21	056-1836-8		FUSE BLOCK	3	3
22	056-1838-4		FUSE PULLER	3	3
23	056-1867-3		FUSE 10A 600V	2	2
24	050-1008-7		FUSE 5A 600V	1	1
25	056-1833-5		TERM BLOCK END BARRIER	3	3
26	056-1831-9		TERMINAL BLOCKS	58	58
29	021-1054-2	D72-018	MOUNTING TRACK 4"	2	2
30	021-1065-8		MOUNTING TRACK 8"	1	1
32	006-1188-9		GROUND LUG	1	1
34	021-1047-6		PANDUIT CLIPS	3	3
35	406-1550-2	D72-124	WIREWAY 8"	2	2
36	406-1552-8	D72-125	WIREWAY COVER 8"	2	2
37	006-1119-4	D72-124	WIREWAY 16"	1	1
38	006-1120-2	D72-125	WIREWAY COVER 16"	1	1
39	021-1075-7	D72-124	WIREWAY 10"	2	2
40	021-1079-9	D72-125	WIREWAY COVER 10"	2	2
41	406-1549-4	D72-124	WIREWAY 22"	1	1
42	406-1551-0	D72-125	WIREWAY COVER 22"	1	1
44	410-1829-2	1D-0123	UPPER ASC DEADFRONT CMS H&M	1	1
45	410-1830-0	3D-0149	LOWER ASC DEADFRONT	1	1
46	401-1133-8	1B-0060	MOUNTING CHANNEL	1	1
47	023-1023-3		SPRING LATCH	4	4
48	325-1774-0		CLOSURE HINGE	2	2
49	420-1063-7	AD21-309	DEADFRONT SUPPORT	4	4
51	035-1004-7		INDICATOR LIGHT AMBER	4	4
52	056-1034-0		RED PB ASSY	1	1
53	056-1368-2		COUNTER, 3 DIGIT	1	1
54	415-2961-1	3C-0365	SWITCH, 2 POS SELECTOR	1	1
55	056-1367-4		TIMER, 999 SEC/MIN/HR	1	1
56	415-2962-9	3C-0365	SWITCH, 2 POS SELECTOR	1	2
57	415-2960-3	3C-0365	SWITCH, 3 POS SELECTOR	6	6
58	415-2934-6	3C-0365	SWITCH, 3 POS SELECTOR	-	1
59	415-2801-9	3C-0365	EXTENDED RED PB ASSY	-	1
60	415-2800-1	3C-0365	ILLUMINATED GREEN PB ASSY	1	1
61	415-2953-8	3C-0365	RED MUSHROOM PB ASSY	1	1
63	044-1026-2		HOUR METER, 5 DIGIT	1	1
64	415-3255-7	4B-0274	ZYTRON TEMP CONTROL	3	4
65	415-2803-5	3C-0365	INDICATOR LIGHT AMBER	1	1
66	026-1041-8		SWITCH, TOGGLE DPDT	1	1
67	026-1048-3		SWITCH, TOGGLE 3 POS	1	1
68	056-1471-4		DC VOLT METER, 0-100VDC	1	1
69	056-1869-9		RESISTOR, 54.9K 1/4W 1%	1	1
70	056-1644-6		5K SPEED KNOB	1	1
71	056-1902-8		TEMPERATURE METER	1	1
73	055-1024-3		37 PIN MALE PLUG	1	1
74	054-1041-0		CLAMP	1	1
75	420-1375-5	4C-0283	DECAL - 'CMS-H&M'	1	1
76	038-1830-9		WIRE SET	1	-
76	038-1833-3		WIRE SET	-	1
76	038-1827-5		WIRE SET	-	1
A	090-1193-3		PHST #8 X 3/8 TYPE 'B'	54	54
B	090-1287-3		CARRIAGE BOLT 1/4-20 X 1/2	4	4
C	090-1198-2		HMST 1/4 X 1/2 TYPE 'B'	2	2
D	090-1252-7		10-32 X 1/2	6	6
F	090-1190-9		PHST #6 X 3/8 TYPE 'B'	3	3
F	095-1005-8		POP RIVIT 1/8 X 1/4	80	80
G	092-1001-4		FLAT WASHER #6	80	80

4D0132B TIF

Fig. 2 ASC assembly, all CMS H and M models, p. 2 of 2

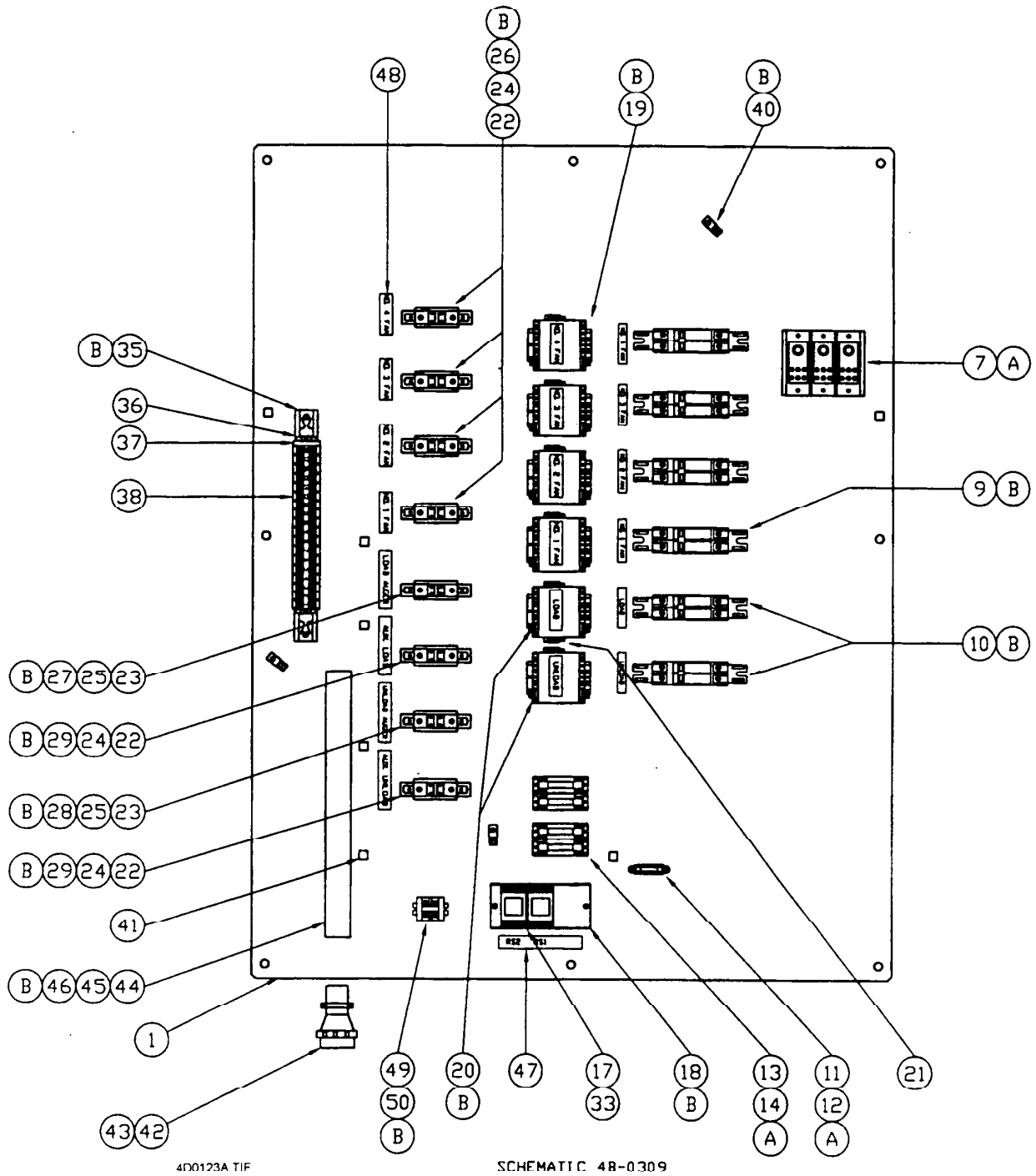


Fig. 3 PSC Panel Assembly, 1 Phase H Series models, p. 1 of 2

PART NO.		DESCRIPTION		ASSEMBLY			
415-3583-2		PANEL PSC 220VAC 1PH - CMS 500H		X			
415-3602-0		PANEL PSC 220VAC 1PH - CF 500H			X		
415-3584-0		PANEL PSC 220VAC 1PH - CMS/CF 750H				X	
415-3585-7		PANEL PSC 220VAC 1PH - CMS/CF 1000H					X
ITEM	PART NO.	DWG. NO.	DESCRIPTION	QUANTITY			
1	325-2134-6	AD74-035	PSC MOUNTING PLATE H & M	1	1	1	1
7	045-1031-9		DISTRIBUTION BLOCK	1	1	1	1
9	056-1808-7		CIRCUIT BREAKER 100A 2P	2	2	3	4
10	056-1808-7		CIRCUIT BREAKER 100A 2P	-	-	2	2
10	056-2036-4		CIRCUIT BREAKER 125A 2P	2	2	-	-
11	037-1007-6		FUSE HOLDER 1P (1/4 X 1-1/4)	1	1	1	1
12	050-1001-2		FUSE 5A 220V	1	1	1	1
13	047-1011-7		FUSE HOLDER 30A 600V 2P	1	1	2	2
14	050-1008-7		FUSE 5A 600V	2	2	4	4
17	044-1014-8		RELAY 8 PIN 5A 220V COIL	1	1	2	2
18	021-1057-5	D72-018	MOUNTING TRACK 6 IN	1	1	1	1
19	056-1191-8		CONTACTOR 75A 3P 110V COIL	2	2	3	4
20	056-1191-8		CONTACTOR 75A 3P 110 COIL	2	2	-	-
20	056-1187-6		CONTACTOR 50A 2P 110V COIL	-	-	2	2
21	056-1303-9		AUX CONTACT	1	1	1	1
22	056-1083-7		O/L RELAY 90A 1P	4	4	5	6
23	056-1046-4		O/L RELAY 45A 1P	2	2	2	2
24	056-1084-5		BRACKET FOR 90A O/L RELAY	4	4	3	4
25	025-1029-5		BRACKET FOR 45A O/L RELAY	2	2	2	2
26	056-1146-2		HEATER ELEMENT F84.8B	2	2	3	4
27	056-1142-1		HEATER ELEMENT C30.3	1	1	-	-
27	056-1195-9		HEATER ELEMENT C40.0	-	-	1	1
28	056-1142-1		HEATER ELEMENT C30.3	1	-	1	1
28	056-1166-0		HEATER ELEMENT C22.8	-	1	-	-
29	056-2037-3		HEATER ELEMENT F48.0	2	2	-	-
33	055-1019-3		SOCKET BASE 8 PIN	1	1	2	2
35	021-1071-6		TERMINAL STRIP TRACK 13-1/4	1	1	1	1
36	054-1020-4		TERMINAL RETAINER	2	2	2	2
37	045-1033-5		TERMINAL END 50A	1	1	1	1
38	045-1035-0		TERMINAL SECTION 50A 600V	1	1	1	1
40	053-1005-7		GROUND LUG	3	3	3	3
41	054-1019-6		TY WRAP PUSH MOUNT	7	7	7	7
42	055-1023-5		SOCKET PLUG - FEMALE 37 PIN	1	1	1	1
43	054-1041-0		CABLE CLAMP	1	1	1	1
44	006-1119-4	D72-124	WIRE RACEWAY 16 IN	1	1	1	1
45	006-1120-2	D72-125	COVER-WIRE RACEWAY 16IN	1	1	1	1
46	021-1047-6		CLIP - WIRE RACEWAY	2	2	2	2
47	420-1292-2		I.D. DECAL PACKAGE RS RELAY	1	1	1	1
48	420-1290-6	D24-050	I.D. DECAL PACKAGE	1	1	1	1
49	045-1033-5		TERMINAL END 50A	1	1	1	1
50	045-1035-0		TERMINAL SECTION 50A 600V	2	2	2	2
A	090-1342-6		PHST #6 X 5/8 B	14	14	14	14
B	090-1193-3		PHST #8 X 3/8 B	37	37	37	41

4D0123B TIF

Fig. 3 PSC Panel Assembly, 1 Phase H Series models, p. 2 of 2

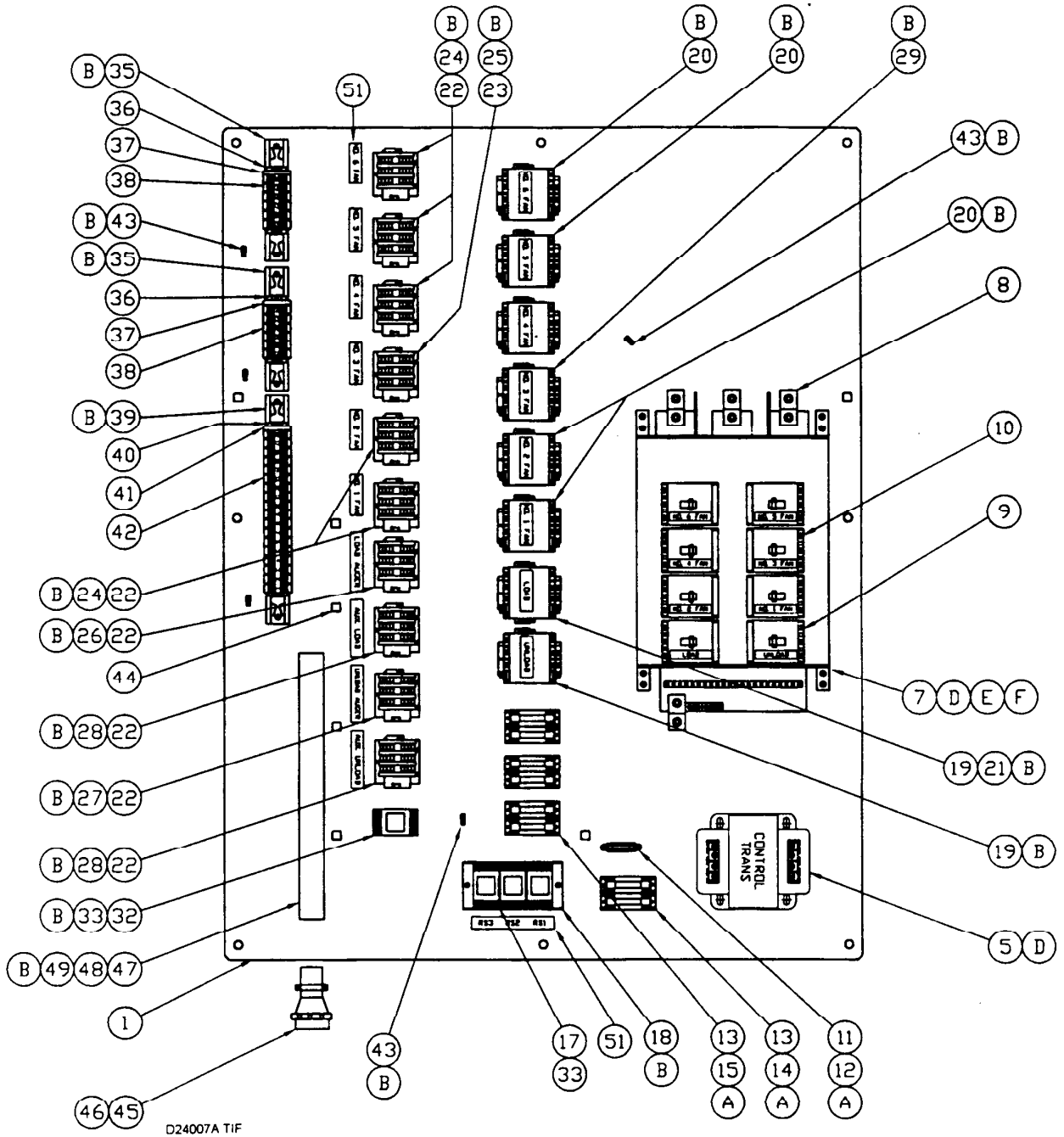


Fig. 4 PSC Panel Assembly, 230V 3 Phase H models, p. 1 of 2





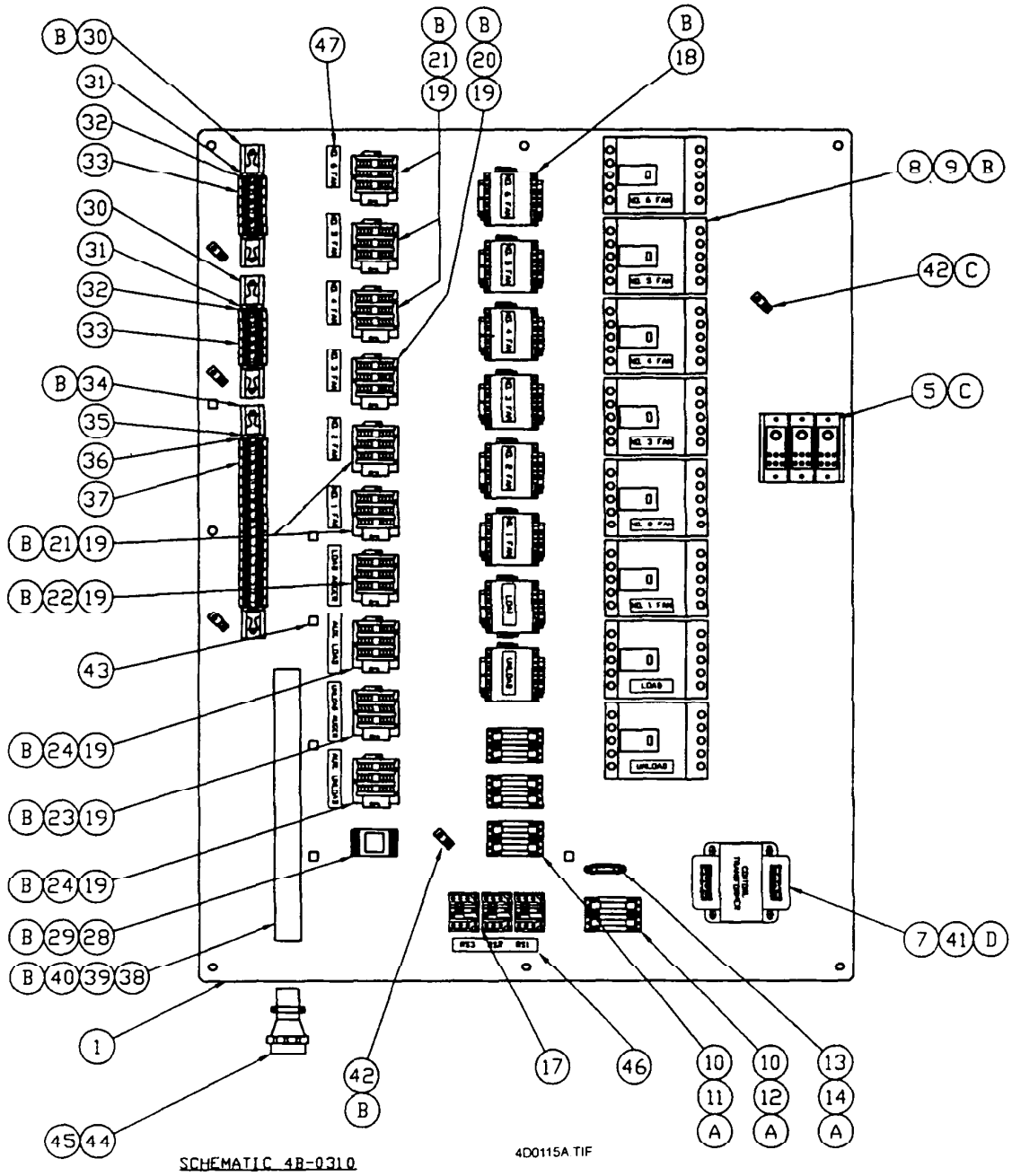


Fig. 5 PSC Panel Assembly, 440V 3 Phase H models, p. 1 of 2

PART NO.		DESCRIPTION		ASSEMBLY							
	415-1397-9		PSC CHASSIS ASSY CF500H 440V 3PH	X							
	415-3540-2		PSC CHASSIS ASSY CMS500H 440V 3PH		X						
	415-1398-7		PSC CHASSIS ASSY CF750H 440V 3PH			X					
	415-3541-0		PSC CHASSIS ASSY CMS750H 440V 3PH				X				
	415-3539-4		PSC CHASSIS ASSY CF850H 440V 3PH					X			
	415-1399-5		PSC CHASSIS ASSY 1000H 440V 3PH						X		
	415-1401-9		PSC CHASSIS ASSY 1500H 440V 3PH							X	
											X
ITEM	PART NO.	DWG. NO.	DESCRIPTION	QUANTITY							
1	325-2134-6	AD74-035	PSC MOUNTING PLATE (H/M)	1	1	1	1	1	1	1	1
5	045-1037-6		TERMINAL STRIP 3 POS.	1	1	1	1	1	1	1	1
7	056-2105-7		XFMR 440/220-220/120V 0.5KVA	1	1	1	1	1	1	1	1
8	026-1085-5		CIRCUIT BREAKER 60A 3P	4	4	5	5	5	6	6	8
9	325-2120-5	A25-927	MOUNTING BRACKET	4	4	5	5	5	6	6	8
10	047-1011-7		FUSE HOLDER 30A 600V 2P	2	2	3	3	3	3	4	4
11	050-1008-7		FUSE 5A 600V FERRULE	2	2	4	4	4	4	4	6
12	050-1018-6		FUSE 5A 600V (SLOW BLOW)	2	2	2	2	2	2	2	2
13	037-1007-6		FUSE HOLDER 1P (1/4 X 1-1/4)	1	1	1	1	1	1	1	1
14	050-1001-2		FUSE 5A 230V FERRULE	1	1	1	1	1	1	1	1
17	044-1062-7		RELAY 440V 25A	1	1	2	2	2	2	2	3
18	056-1030-8		CONTACTOR 40A 3P 115V COIL	4	4	5	5	5	6	6	8
19	056-1347-6		O/L RELAY 45A 3P	6	6	7	7	7	8	10	10
20	056-1136-3		HEATER ELEMENT C25.0	-	-	3	3	-	3	3	3
20	056-1682-6		HEATER ELEMENT C27.3	-	-	-	-	3	-	-	-
21	056-1136-3		HEATER ELEMENT C25.0	6	6	6	6	6	6	9	15
22	056-1167-8		HEATER ELEMENT C13.7	3	3	-	-	-	-	-	-
22	056-1143-9		HEATER ELEMENT C16.3	-	-	3	3	3	3	3	3
23	056-1132-2		HEATER ELEMENT C8.67	3	-	3	-	3	-	-	-
23	056-1167-8		HEATER ELEMENT C13.7	-	3	-	3	-	3	3	3
24	056-1143-9		HEATER ELEMENT C16.3	6	6	6	6	6	6	6	6
28	055-1019-3		SOCKET BASE - 8 PIN	1	1	1	1	1	1	1	1
29	044-1018-9		RELAY 5A 115V COIL 8 PIN	1	1	1	1	1	1	1	1
30	021-1073-2		TRACK 6-1/2 CR151C2	-	-	1	1	1	1	1	2
31	045-1033-5		TERMINAL RETAINER	-	-	2	2	2	2	2	4
32	045-1033-5		TERMINAL END 50A	-	-	1	1	1	1	1	2
33	045-1035-0		TERMINAL SECTION 50A 600V	-	-	6	6	6	6	6	12
34	021-1071-6		TRACK 13-1/4	1	1	1	1	1	1	1	1
35	054-1020-4		TERMINAL RETAINER	2	2	2	2	2	2	2	2
36	045-1033-5		TERMINAL END 50A	1	1	1	1	1	1	1	1
37	045-1035-0		TERMINAL SECTION 50A 600V	1	1	1	1	1	1	1	1
38	006-1119-4	D72-123	WIRE RACEWAY 16IN	1	1	1	1	1	1	1	1
39	006-1120-2	D72-125	COVER - WIRE RACEWAY 16IN	1	1	1	1	1	1	1	1
40	021-1047-6		CLIP - WIRE RACEWAY	2	2	2	2	2	2	2	2
41	016-1002-1		GROMMET 5/8 X 7/8	1	1	1	1	1	1	1	1
42	053-1005-7		GROUND LUG	3	3	4	4	4	4	4	5
43	054-1019-6		TY WRAP - PUSH MOUNT	7	7	7	7	7	7	7	7
44	055-1023-5		SOCKET PLUG - FEMALE 37 PIN	1	1	1	1	1	1	1	1
45	054-1041-0		CABLE CLAMP	1	1	1	1	1	1	1	1
46	420-1292-2	D42-050	ID DECAL PACKAGE	1	1	1	1	1	1	1	1
47	420-1290-6		ID DECAL PACKAGE	1	1	1	1	1	1	1	1
A	090-1342-6		PHST #6 X 5/8 B	10	10	10	10	10	10	10	10
B	090-1193-3		PHST #8 X 3/8 B	43	43	52	52	52	52	61	61
C	090-1183-4		RHST #8-32 X 3/4 F	6	6	6	6	6	6	6	6
D	090-1198-2		PHST 1/4 X 1/2 B	3	3	3	3	3	3	3	3
E	090-1200-6		RHST 5/16 X 3/4 B	4	4	4	4	4	4	4	4
F	092-1008-9		FLAT WASHER 5/16	4	4	4	4	4	4	4	4

400115B TIF

Fig. 5 PSC Panel Assembly, 440V 3 Phase H models, p. 2 of 2

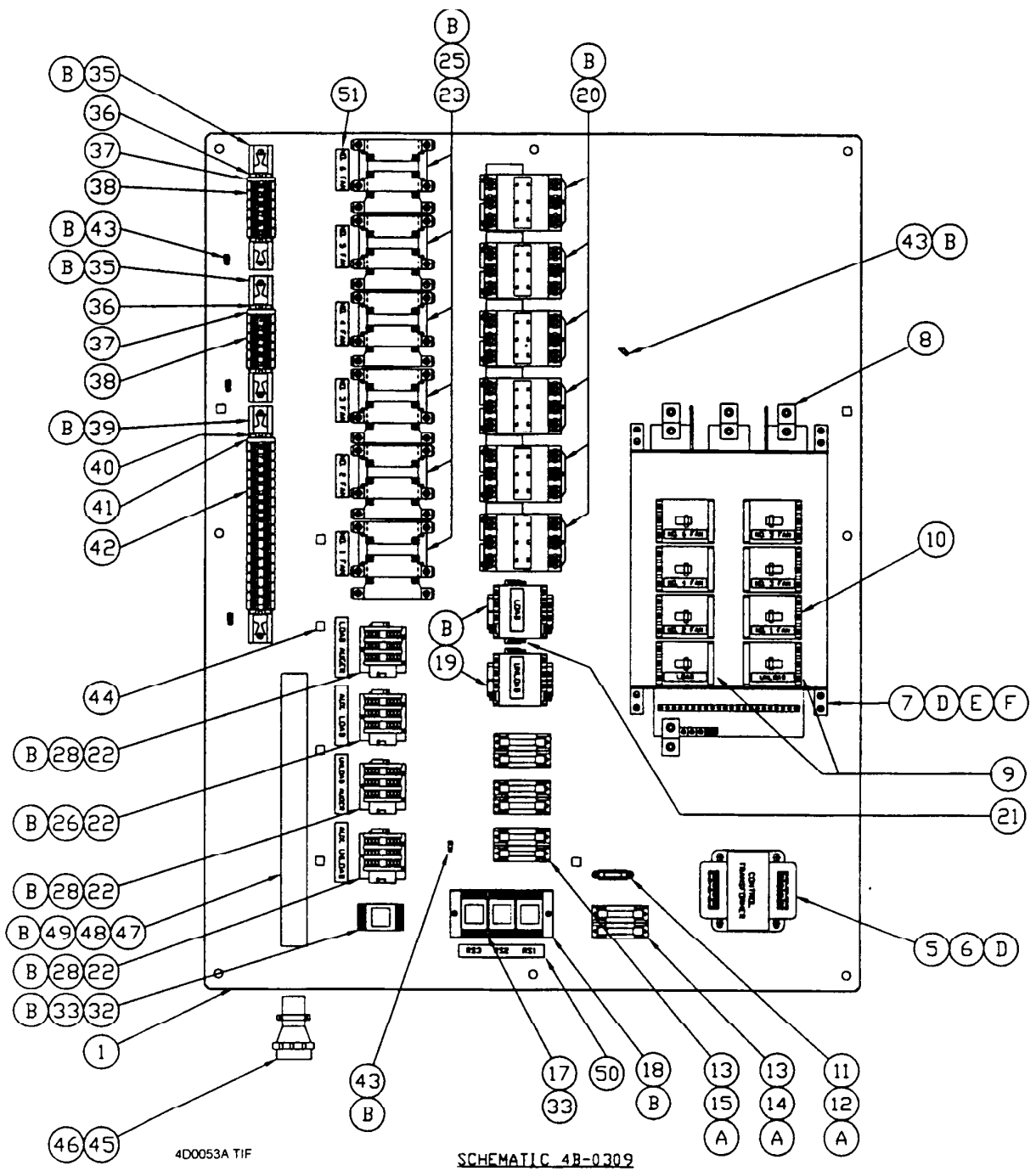


Fig. 6 PSC Panel Assembly, 230V 3 Phase M models, p. 1 of 2

ITEM	PART NO.	DESCRIPTION	ASSEMBLY											
	PART NO.	DWG. NO.	DESCRIPTION	QUANTITY										
	415-2250-9		PSC CHASSIS ASSY CMS650M 3PH 230V	X										
	415-2705-2		PSC CHASSIS ASSY CF650M 3PH 230V		X									
	415-2253-3		PSC CHASSIS ASSY 1300M 3PH 230V			X								
	415-2254-1		PSC CHASSIS ASSY 2000M 3PH 230V				X							
								X						
									X					
										X				
											X			
												X		
													X	
1	325-2134-6	AD74-035	PSC MOUNTING PLATE (H/M)	1	1	1	1							
5	056-2105-7		XFMR 440/220-220/120V 0.5KVA	1	1	1	1							
6	016-1002-1		GROMMET 5/8 X 7/8	1	1	1	1							
7	401-3650-9	1B-1138	MOUNTING BRKT - LOAD CENTER	2	2	2	2							
8	056-1698-2		LOAD CENTER 400A 3P	1	1	1	1							
9	026-1061-6		CIRCUIT BREAKER 90A 3P	2	2	2	2							
10	056-1642-0		CIRCUIT BREAKER 100A 3P	2	2	4	6							
11	037-1007-6		FUSE HOLDER 1P (1/4 X 1-1/4)	1	1	1	1							
12	050-1001-2		FUSE 5A 230V FERRULE	1	1	1	1							
13	047-1011-7		FUSE HOLDER 30A 600V 2P	2	2	3	4							
14	050-1018-6		FUSE 5A 600V (SLOW BLOW)	2	2	2	2							
15	050-1008-7		FUSE 5A 600V FERRULE	2	2	4	6							
17	044-1014-8		RELAY 230V 5A 8 PIN	1	1	2	3							
18	021-1057-5	D72-018	MOUNTING TRACK 6 IN	1	1	1	1							
19	056-1190-0		CONTACTOR 60A 3P 115V COIL	2	2	2	2							
20	056-1191-8		CONTACTOR 75A 3P 115V COIL	2	2	4	6							
21	056-1303-9		AUX CONTACTS	1	1	1	1							
22	056-1347-6		O/L RELAY 45A 3P	4	4	4	4							
23	056-1310-4		O/L RELAY 100A 3P COMP	2	2	4	6							
25	056-1251-0		HEATER ELEMENT E77	6	6	12	18							
26	056-1166-0		HEATER ELEMENT C22.8	-	3	-	-							
26	056-1142-1		HEATER ELEMENT C30.3	3	-	3	3							
28	056-1142-1		HEATER ELEMENT C30.3	9	9	9	9							
32	044-1018-9		RELAY 5A 115V COIL 8 PIN	1	1	1	1							
33	055-1019-3		SOCKET BASE - 8 PIN	2	2	3	4							
35	021-1073-2		TERMINAL STRIP TRACK 6-1/2	-	-	1	2							
36	054-1020-4		TERMINAL RETAINER - END CLAMP	-	-	2	4							
37	045-1033-5		TERMINAL BARRIER	-	-	1	2							
38	045-1035-0		TERMINAL SECTION 50A 600V	-	-	6	12							
39	021-1071-6		TERMINAL STRIP TRACK 13-1/4	1	1	1	1							
40	054-1020-4		TERMINAL RETAINER	2	2	2	2							
41	045-1033-5		TERMINAL END 50A	1	1	1	1							
42	045-1035-0		TERMINAL SECTION 50A 600V	1	1	1	1							
43	053-1005-7		GROUND LUG	3	3	4	5							
44	054-1019-6		TY WRAP - PUSH MOUNT	7	7	7	7							
45	055-1023-5		SOCKET PLUG - FEMALE 37 PIN	1	1	1	1							
46	054-1041-0		CABLE CLAMP	1	1	1	1							
47	006-1119-4		WIRE RACEWAY 16IN	1	1	1	1							
48	006-1120-2		COVER - WIRE RACEWAY 16IN	1	1	1	1							
49	021-1047-6		CLIP - WIRE RACEWAY	2	2	2	2							
50	420-1290-6		I. D. DECAL PACKAGE	1	1	1	1							
51	420-1292-2	D42-050	I. D. DECAL PACKAGE	1	1	1	1							
A	090-1342-6		PHST #6 X 5/8 B	10	10	10	10							
B	090-1193-3		PHST #8 X 3/8 B	4	4	4	4							
C	090-1183-4		RHST #8-32 X 3/4 F	4	4	4	4							
D	090-1198-2		PHST 1/4 X 1/2 B	3	3	3	3							
E	090-1200-6		HHST 5/16 X 3/4 B	4	4	4	4							
F	092-1008-9		FLAT WASHER 5/16	4	4	4	4							

4D0053B TIF

Fig. 6 PSC Panel Assembly, 230V 3 Phase M models, p. 2 of 2

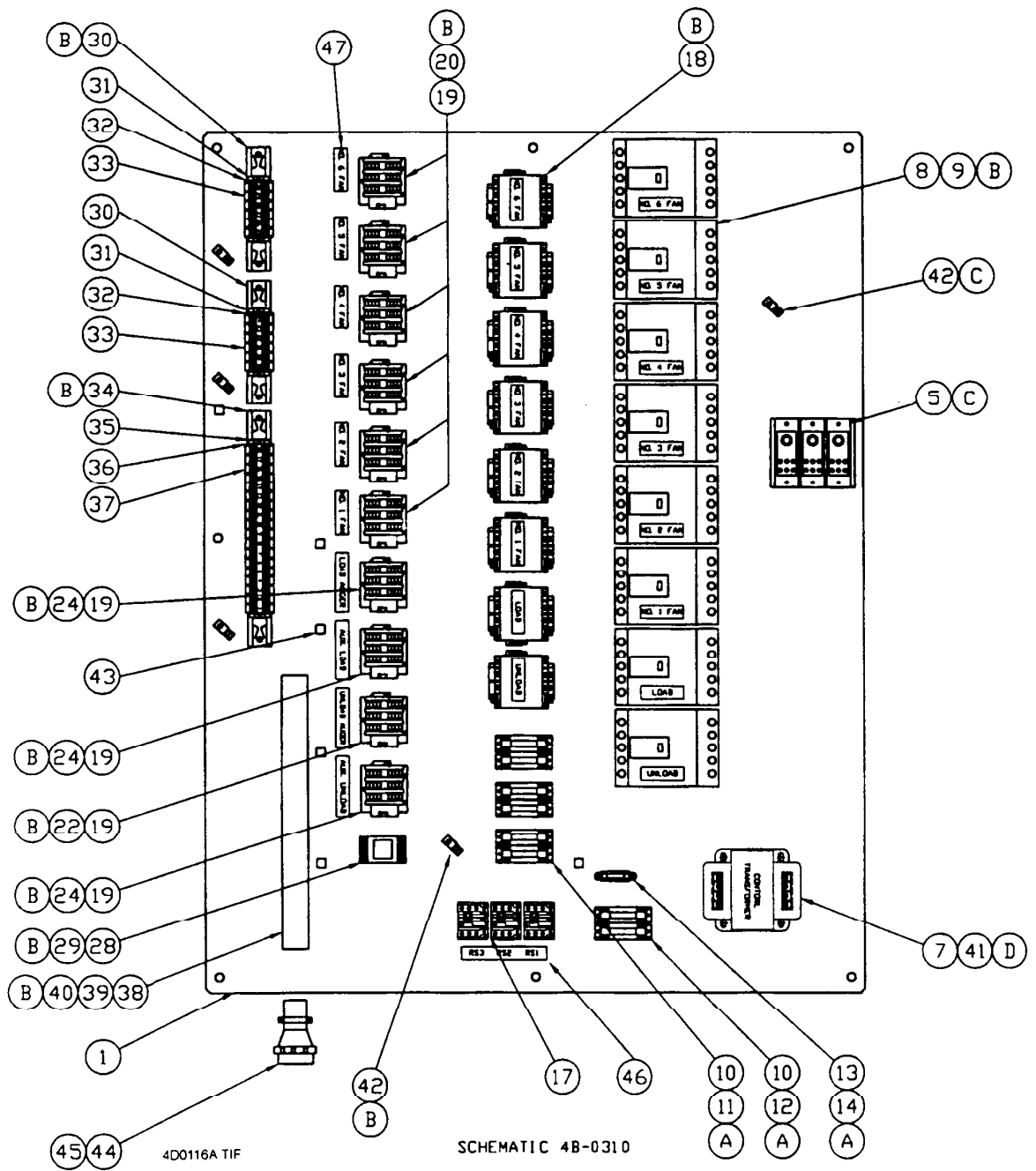


Fig. 7 PSC Panel Assembly, 440V 3 Phase M models, p. 1 of 2

	PART NO.	DESCRIPTION	ASSEMBLY	
	415-3542-8	PSC CHASSIS ASSY CF650M 440V 3PH	X	
	415-3543-6	PSC CHASSIS ASSY CMS650M 440V 3PH	X	
	415-3544-4	PSC CHASSIS ASSY 1300M 440V 3PH	X	
	415-3545-1	PSC CHASSIS ASSY 2000M 440V 3PH	X	
ITEM	PART NO.	DWG. NO.	DESCRIPTION	QUANTITY
1	325-2134-6	AD74-035	PSC MOUNTING PLATE (H/M)	1 1 1 1
5	045-1037-6		TERMINAL STRIP 3 POS.	1 1 1 1
7	056-2105-7		XFMR 440/220-220/120V 0.5KVA	1 1 1 1
8	026-1085-5		CIRCUIT BREAKER 60A 3P	4 4 6 8
9	325-2120-5	A25-927	MOUNTING BRACKET	4 4 6 8
10	047-1011-7		FUSE HOLDER 30A 600V 2P	2 2 3 4
11	050-1008-7		FUSE 5A 600V FERRULE	2 2 4 6
12	050-1018-6		FUSE 5A 600V (SLOW BLOW)	2 2 2 2
13	037-1007-6		FUSE HOLDER 1P (1/4 X 1-1/4)	1 1 1 1
14	050-1001-2		FUSE 3A 230V FERRULE	1 1 1 1
17	044-1062-7		RELAY 440V 25A	1 1 2 3
18	056-1030-8		CONTACTOR 40A 3P 115V COIL	4 4 6 8
19	056-1347-6		O/L RELAY 45A 3P	6 6 8 10
20	056-1153-8		HEATER ELEMENT C33.0	6 6 12 18
22	056-1167-8		HEATER ELEMENT C13.7	3 - - -
22	056-1143-9		HEATER ELEMENT C16.3	- 3 3 3
24	056-1143-9		HEATER ELEMENT C16.3	9 9 9 9
28	055-1019-3		SOCKET BASE - 8 PIN	1 1 1 1
29	044-1018-9		RELAY 5A 115V COIL 8 PIN	1 1 1 1
30	021-1073-2		TRACK 6-1/2 CR151C2	- - 1 2
31	054-1020-4		TERMINAL RETAINER	- - 2 4
32	045-1033-5		TERMINAL END 50A	- - 1 2
33	045-1035-0		TERMINAL SECTION 50A 600V	- - 6 12
34	021-1071-6		TRACK 13-1/4	1 1 1 1
35	054-1020-4		TERMINAL RETAINER	2 2 2 2
36	045-1033-5		TERMINAL END 50A	1 1 1 1
37	045-1035-0		TERMINAL SECTION 50A 600V	1 1 1 1
38	006-1119-4	D72-123	WIRE RACEWAY 16IN	1 1 1 1
39	006-1120-2	D72-125	COVER - WIRE RACEWAY 16IN	1 1 1 1
40	021-1047-6		CLIP - WIRE RACEWAY	2 2 2 2
41	016-1002-1		GROMMET 5/8 X 7/8	1 1 1 1
42	053-1005-7		GROUND LUG	3 3 4 5
43	054-1019-6		TY WRAP - PUSH MOUNT	7 7 7 7
44	055-1023-5		SOCKET PLUG - FEMALE 37 PIN	1 1 1 1
45	054-1041-0		CABLE CLAMP	1 1 1 1
46	420-1292-2		ID DECAL PACKAGE	1 1 1 1
47	420-1290-6		ID DECAL PACKAGE	1 1 1 1
A	090-1342-6		PHST #6 X 5/8 B	10 10 10 10
B	090-1193-3		PHST #8 X 3/8 B	43 43 52 61
C	090-1183-4		RHST #8-32 X 3/4 F	6 6 6 6
D	090-1198-2		PHST 1/4 X 1/2 B	3 3 3 3
E	090-1200-6		HHST 5/16 X 3/4 B	4 4 4 4
F	092-1008-9		FLAT WASHER 5/16	4 4 4 4

4D0116B TIF

Fig. 7 PSC Panel Assembly, 440V 3 Phase M models, p. 2 of 2

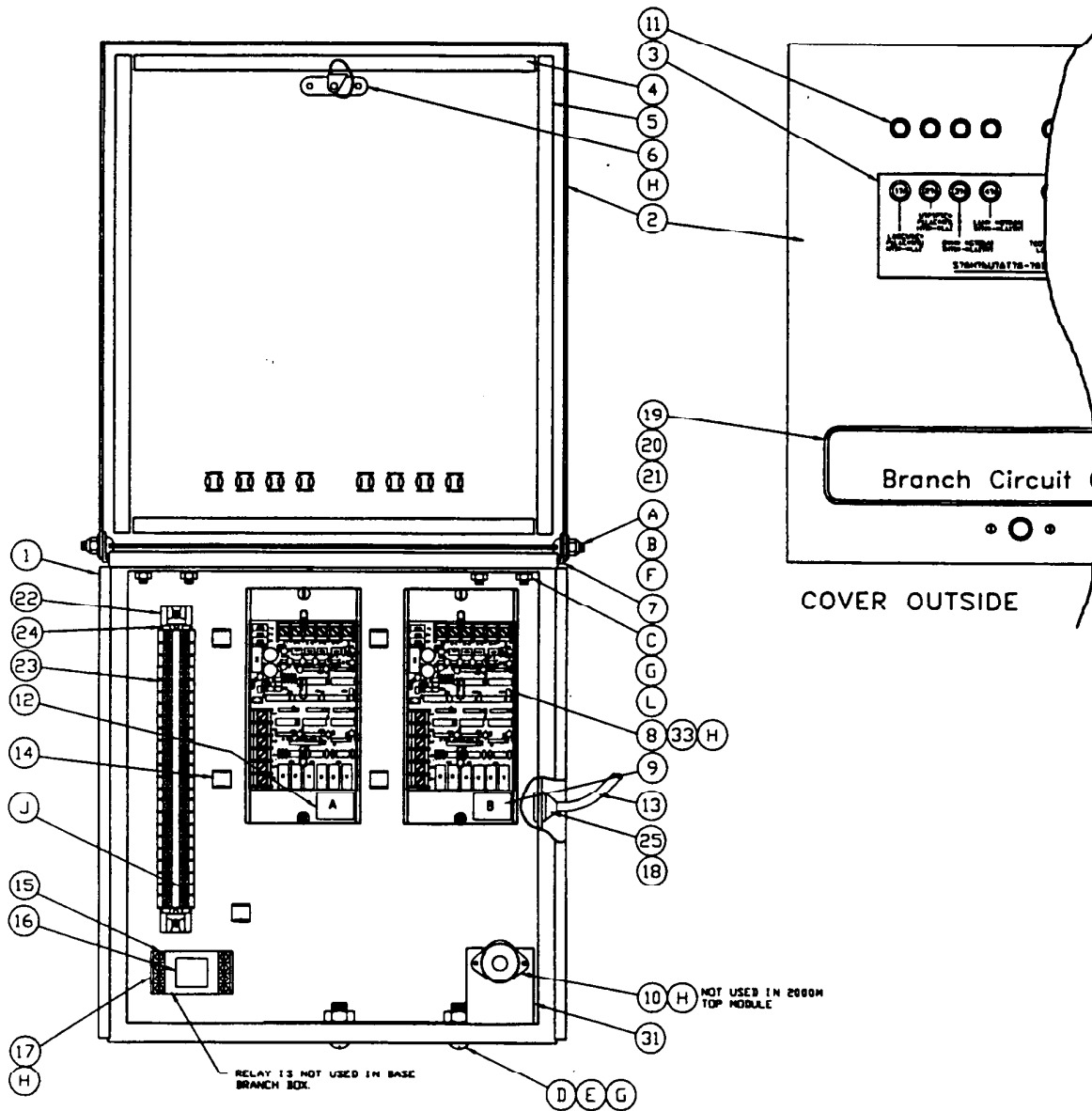


Fig. 8 Branch Circuit Box, all H and M models, p. 1 of 2



PART NO.		DESCRIPTION		ASSEMBLY		
415-1130-4		BRANCH CIRCUIT BOX I ET		X		
415-2247-5		BRANCH CIRCUIT BOX II ET			X	
415-1132-0		BRANCH CIRCUIT BOX III ET				X
						X
ITEM	PART NO.	DWG. NO.	DESCRIPTION	QUANTITY		
1	011-1124-4	D22-211	BRANCH CIRCUIT BOX WLD' MT	1	1	1
2	011-1129-3	D73-058	BRANCH CIRCUIT BOX COVER	1	1	1
3	420-1308-6	4B-0221	DECAL, SHUT DOWN INDICATOR	1	1	1
4	025-1138-4	1B-0930	GASKET, PVC FOAM .50 X 13.88	2	2	2
5	025-1140-0	1B-0930	GASKET, PVC FOAM .50 X 16.25	2	2	2
6	023-1023-3	PART ID	SPRING LATCH	1	1	1
7	025-1053-5	D71-073	COVER HINGE	2	2	2
8	056-1931-7	PART ID	CIRCUIT MONITOR ASSEMBLY	2	2	2
9	323-1058-3	AD41-030	DECAL 'B' SAFETY CIRC. MONT.	1	1	1
10	027-1034-1	PART ID	FIXED HI-LIMIT THERM (210)	1	1	1
11	035-1004-7	PART ID	AMBER INDICATOR LIGHT, 115V	8	8	8
12	323-1057-5	AD41-030	DECAL 'A' SAFETY CIRC. MONT.	1	1	1
13	406-1817-5	1B-1126	SPIRAL WRAP, 1/4 X 36"	1	1	-
14	054-1019-6	PART ID	TY-RAP HOLDER	5	5	5
15	055-1019-3	PART ID	RELAY BASE, 8 PIN	-	1	1
16	044-1018-9	PART ID	CONT. CIRC. RELAY, DPDT 115V	-	1	1
17	021-1064-1	D72-018	RELAY BASE TRACK	-	1	1
18	048-1032-1	PART ID	PLASTIC FILLER PLUG, 7/8"	-	-	1
19	323-1049-2	AD42-013	DECAL, I BRANCH CIRC. CONT.	1	-	-
20	323-1050-0	AD42-013	DECAL, II BRANCH CIRC. CONT.	-	1	-
21	323-1051-8	AD42-014	DECAL, III BRANCH CIRC. CONT.	-	-	1
22	056-1832-7	PART ID	TERM. MTG CHANNEL X 14"	14	14	14
23	056-1831-9	PART ID	TERMINAL BLOCKS	23	23	22
24	056-1833-5	PART ID	TERMINAL END BARRIER	2	2	2
25	016-1003-9	D31-011	RUBBER GROMMET	2	2	2
26	069-1088-9	PART ID	NYLON TY-RAP (LG.)	7	7	7
27	098-1027-6	PART ID	NYLON TY-RAP (SM.)	7	7	7
28	038-1866-3		WIRE ASSEMBLY I	1	-	-
29	038-1867-1		WIRE ASSEMBLY II/III	-	1	-
30	038-1868-9		WIRE ASSEMBLY III	-	-	1
31	401-4595-5	1B-1953	MOUNTING BRACKET H & M's	1	1	1
32						
33	021-1065-8		MOUNTING TRACK	2	2	2
A	090-1133-9		TRSS 5/16-18 X 1/2 GR5	2	2	2
B	091-1051-1		ESNA NUT 5/16-18	2	2	2
C	090-1341-8		HHCS 1/4-20 X 1/2	4	4	4
D	090-1287-3		CBLT 1/4-20 X 1/2	4	4	4
E	091-1036-2		HEX NUT 1/4-20	8	8	8
F	092-1006-3		FLAT WASHER 1/4	2	2	2
G	092-1025-3		SPLIT LOCKWASHER 1/4	8	8	8
H	090-1193-3		PHST #8 X 3/8 TYPE B	14	14	0
J	090-1191-7		PHST #6 X 1/2 TYPE B	2	2	2

3D0121B.TIF

Fig. 8 Branch Circuit Box, all H and M models, p. 2 of 2

## HARDWARE ABBREVIATION CODES

BBLT	Bin bolt	SFBP	Socket flat head screw
CBLT	Carriage head bolt	SHBP	Square head set screw, beveled point
ESNA	Locknut	SHCN	Square head set screw, cone point
FHMS	Flat head machine screw	SHCP	Square head set screw, cup point
HFST	Hex flange self tap	SKCS	Socket head cap screw
HFWL	Hex flange whiz lock	SKCP	Socket head set screw, cup point
HHCS	Hex head cap screw	STAP	Self tap
HHST	Hex head self tap	THMB	Thumb screw
HWST	Hex washer self tap	THWL	Truss head whiz lock
KCSS	Knurl cup set screw	TRSS	Truss head machine screw
PHMS	Pan head machine screw		
PHST	Pan head self tap		
RHMS	Round head machine screw		
RHST	Round head self tap		

