

SUPPLEMENTAL ASSEMBLY INSTRUCTIONS
FOR
CMS-H SERVICE PLATFORM AND NOISE SUPPRESSOR KITS

H-Series dryers have been equipped with two different styles of hitch weldments. The early style weldment (Part No. A25-582) has a flat front surface, whereas the later improved weldment (Part No. 410-1116-4) has a welded tongue socket which extends two inches beyond the front face.

THE ONE-PIECE TYPE MAIN SUPPORT CHANNEL (PART NO. A25-891) DESCRIBED IN ASSEMBLY BULLETINS SP-01-2 AND NSH-01-2 IS INTENDED FOR INSTALLATION ONTO THE EARLY STYLE HITCH WELDMENT.

As a result of the hitch improvement change, all H-Series service platform and noise suppressor kits will include a new two-piece type of main support channel with the required attaching hardware. Figure 1 shows the later parts and their proper method of attachment.

NOTE: The two-piece main support can be installed onto early style hitch weldments.

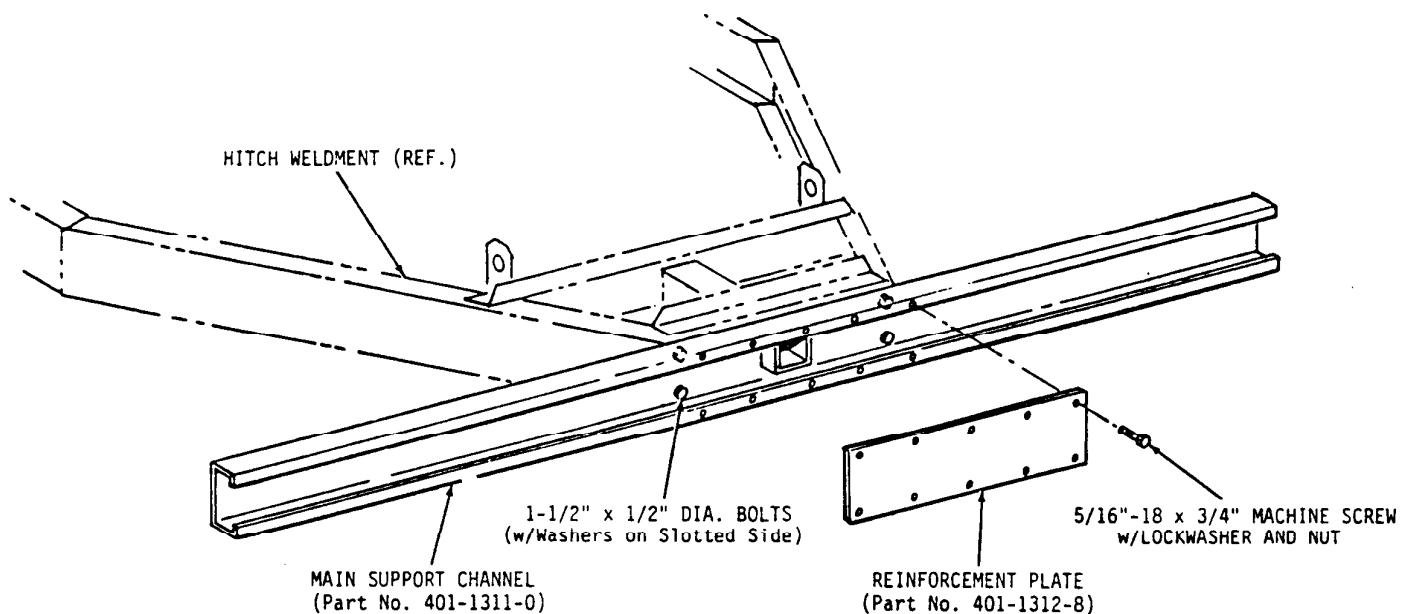


FIG. 1 - TWO-PIECE MAIN SUPPORT CHANNEL ATTACHMENT DETAILS

FARM FANS, INC.
5900 ELMWOOD AVENUE • INDIANAPOLIS, INDIANA 46203