

NEW REPLACEMENT KITS FOR 44-020 & 44-033 R2 RELAYS - USED ON AB SERIES DRYERS

The cost increase and decreased availability of the R2 relays (make before break type) used in the "AB" dryer control has necessitated the development of an alternative control. Readily available standard 2-pole and 3-pole relays can be used if they are used in conjunction with the following new time delay relay assembly, FF part no. 415-2877-9.

This modification requires that the N.C. contact terminals of the new relay (TDR 056-1675-0) be connected to the original R2 relay base terminals #1 and #4 and the heater terminals to R2 relay terminals #2 and #7 (single fan units) or #10 (double fan units).

The following replacement kits have been developed for both field replacement and new production:

AB-350A, AB-500A, & AB-18B dryers: 11-Pin MBB Relay 44-033 is replaced by 420-2615-3 consisting of: (1) Standard Relay - #056-1864-0 (1) TDR Assembly - #415-2877-9 (1) Wire, brown 10" (2) Wire connectors, butt type (1) Wire, white 7" (1) Instructions (this bulletin)	AB-120A & AB-180A dryers: 8-Pin MBB Relay 44-020 is replaced by 420-2614-6 consisting of: (1) Standard Relay - #44-014 (1) TDR Assembly - #415-2877-9 (1) Wire, white 7" (1) Instructions (this bulletin)	AB-8B & AB-12B dryers: Same as for AB-120A and AB-180A models.
---	--	--

The list price of the replacement kit assembly presently remains the same as the current published price for the comparable MBB relay.

INSTALLATION INFORMATION

1. Remove old R2 relay and insert standard relay into existing R2 relay base.
2. For models with 11-pin R2 relay base only (AB-350A, AB-500A, and AB-18), the relay base must be rewired as shown in figure 1. If necessary, use provided wires and connectors to extend wires leading to base terminal, as shown in figure 1.
3. In most cases the TDR relay with base can be snapped into existing base track. If application permits, mount the TDR relay next to the R2 relay base, shortening wires as needed. Otherwise, place the TDR relay at the end of mounting track. Note that terminal 2 of each base in the mounting track connects to ground by a white wire. A 7" white replacement wire is provided should a longer connector be necessary for terminal 2 of the R2 relay.



FARM FANS

Division of ffi CORPORATION
5900 ELMWOOD AVE. • INDIANAPOLIS, IN 46203
© 1990 ffi CORP. Printed in U.S.A.

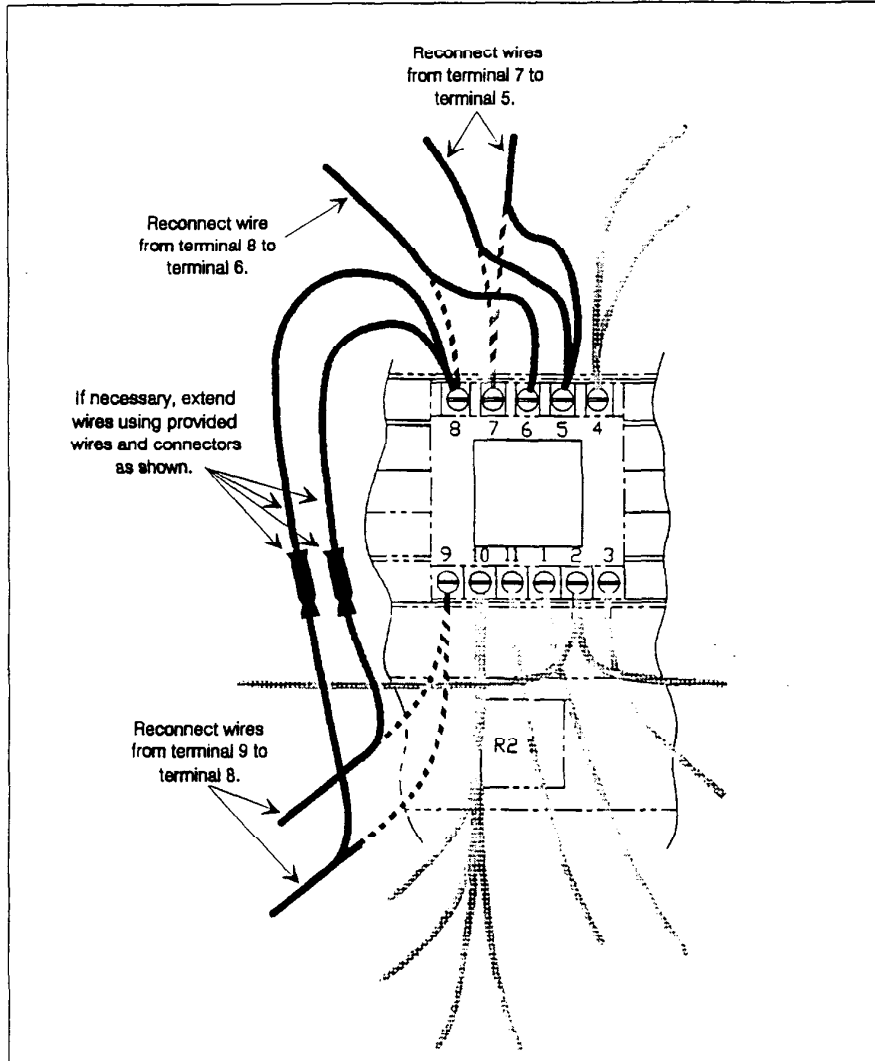


Figure 1. Required wiring connections for revised 11-pin R2 relay base.

Connect the TDR relay leads as follows:

TDR 056-1675-0	Connected To →	R2 Relay Base Terminal
Black	→	#1
Black	→	#4
White	→	#2
Yellow	→	#7 or #10 ¹

¹Terminal #7 applies to AB-120A & AB-180A models. Terminal #10 applies to AB-350A & AB-500A models.

4. See figures 2, 3, and 4 for Relay Assembly Kit diagrams and electrical schematics.

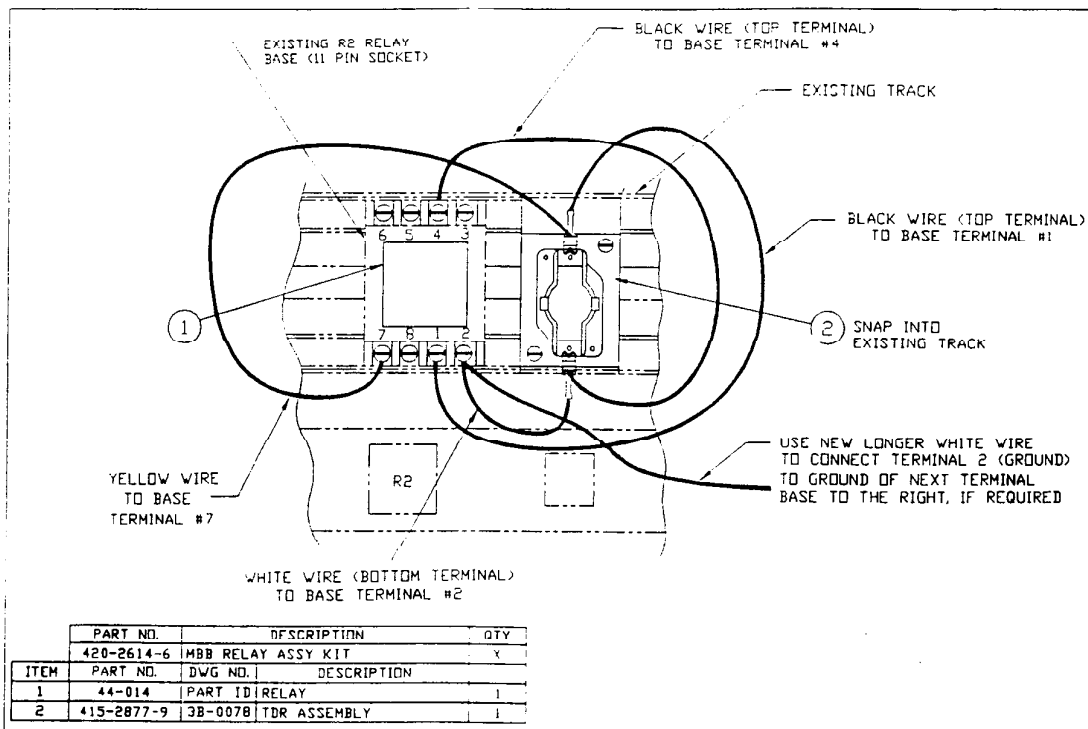


Figure 2. R2 (MBB) Relay Assembly Kit - Models AB-120A, AB-180A, and AB-250A.

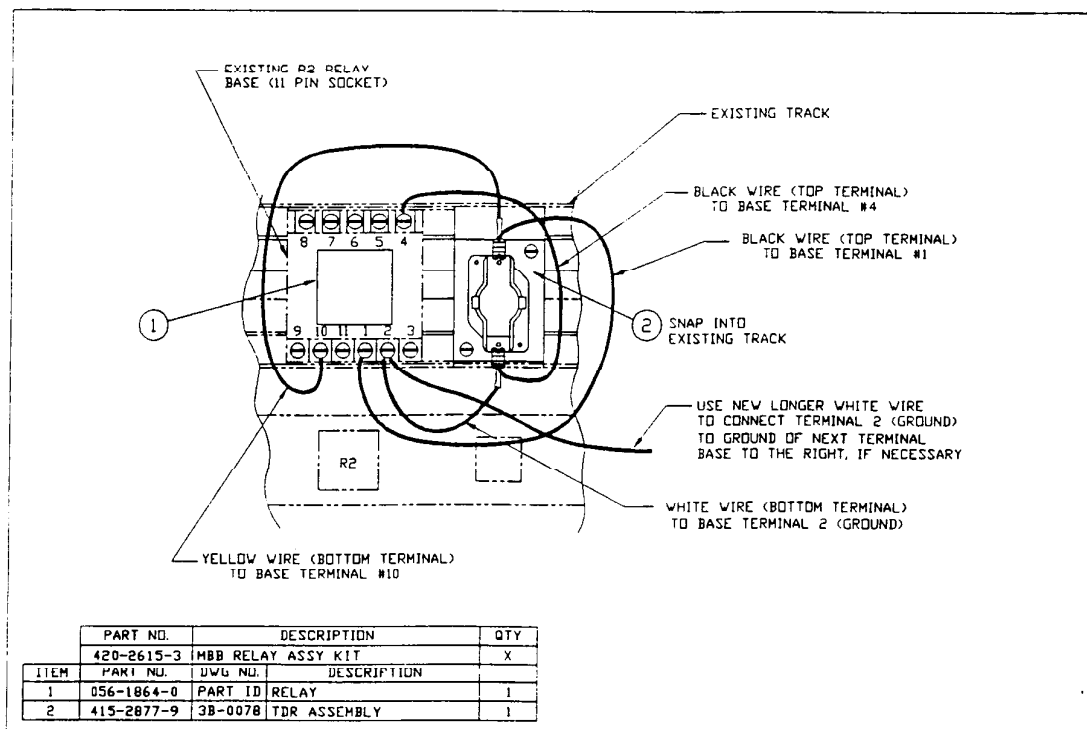


Figure 3. R2 (MBB) Relay Assembly Kit - Models AB-350A, AB-500A, and AB-18B.

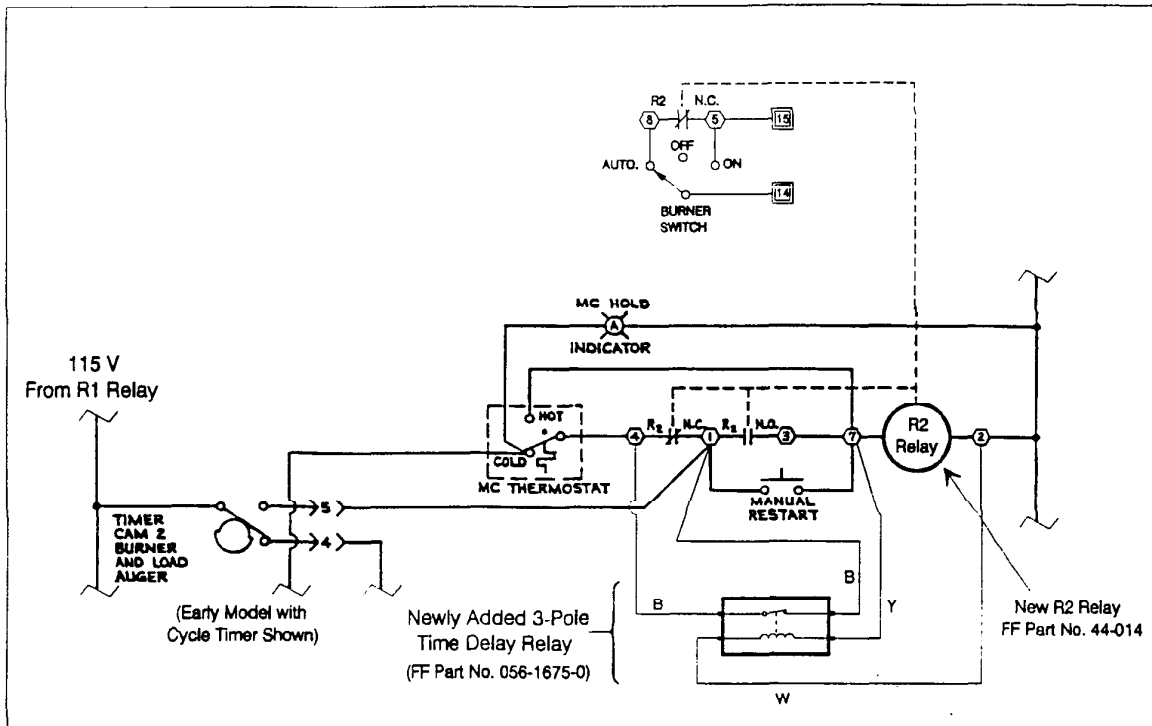


Figure 4. Portion of General Control Circuit showing typical installation of new 8-pin R2 Relay Kit (for single-fan AB models AB-8, -12, -120, -180, and -250).

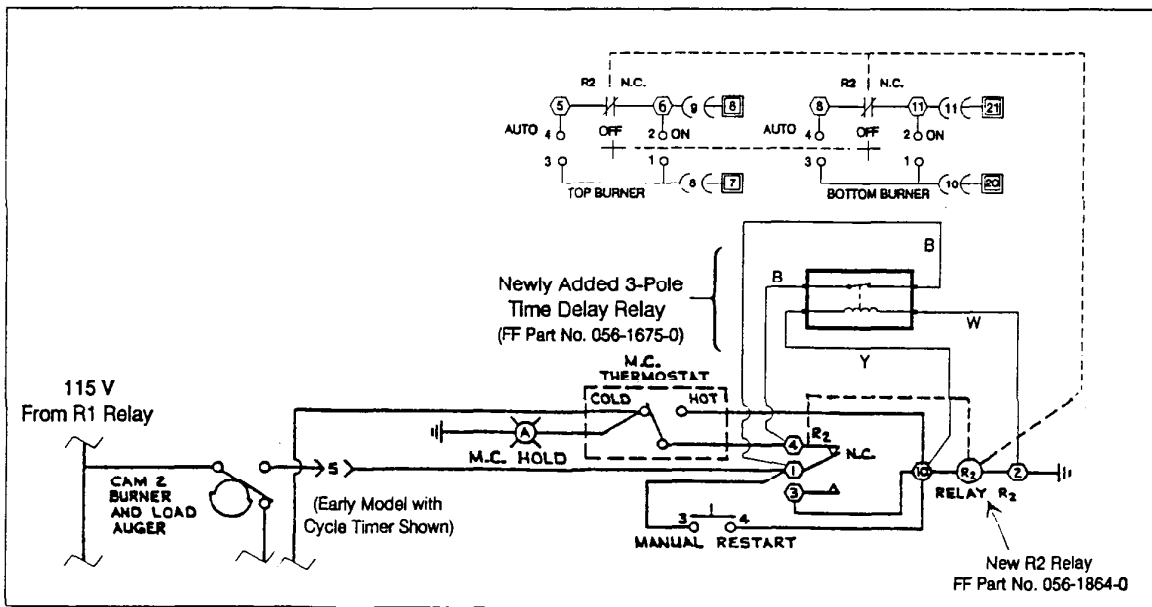


Figure 5. Portion of General Control Circuit showing typical installation (with revised wiring) for 11-pin R2 Relay Kit (for two-fan AB models AB-350, -500, and -18).

NOTE: See respective operator's manuals for full General Control Circuit Diagrams.

LEGEND:
 (2) No. 2 Terminal on Noted Relay Socket Base.