

# 7 INCH METER ROLL CF/AB PARTS MANUAL SUPPLEMENT

**For CF/AB-150, 190, 270, & 320 Grain Dryers Manufactured in 1999 & Later**

This supplement covers design improvements made to CF/AB-150, 190, 270, and 320 model dryers manufactured in 1999.

**Note:** Previous parts supplements still apply. CFAB-03-3S and CFAB-04-3S cover models built between April 1992 and March 1995. CFAB-05-3S covers models built between March of 1995 and December of 1996. CFAB-06-3S covers models built between January 1, 1997 and December of 1998. CFAB-07-3S covers models built from January 1, 1999 to present.

When ordering a part, please check this supplement first to see whether it is covered within the supplement. Refer to bulletins CF/AB150-01-3, CF/AB190-01-3, and CF/AB270-01-3 for most of the remaining parts.

## CONTENTS

Fig. 1	Meter roll drive and parts . . . . .	2
Fig. 2	Column parts . . . . .	3
Fig. 3	Dryer basket parts . . . . .	4

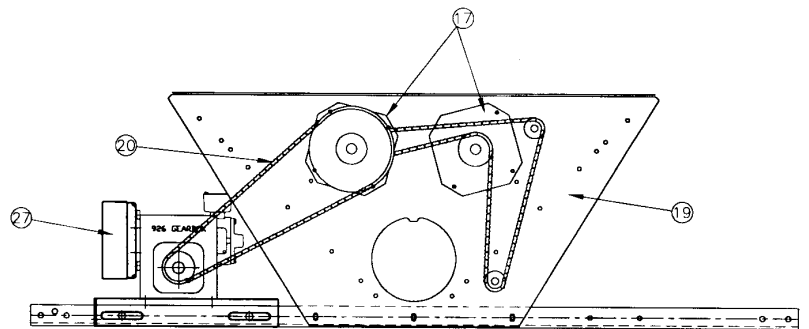
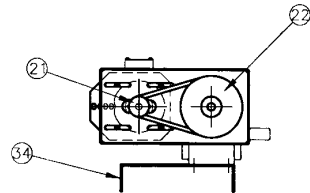
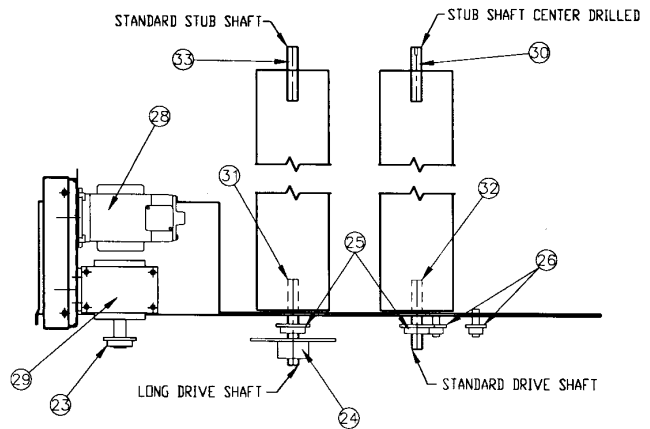


**FARM FANS**

Division of ffi Corporation  
5900 Elmwood Ave. • Indianapolis, IN 46203  
©2001 ffi Corporation Printed in USA

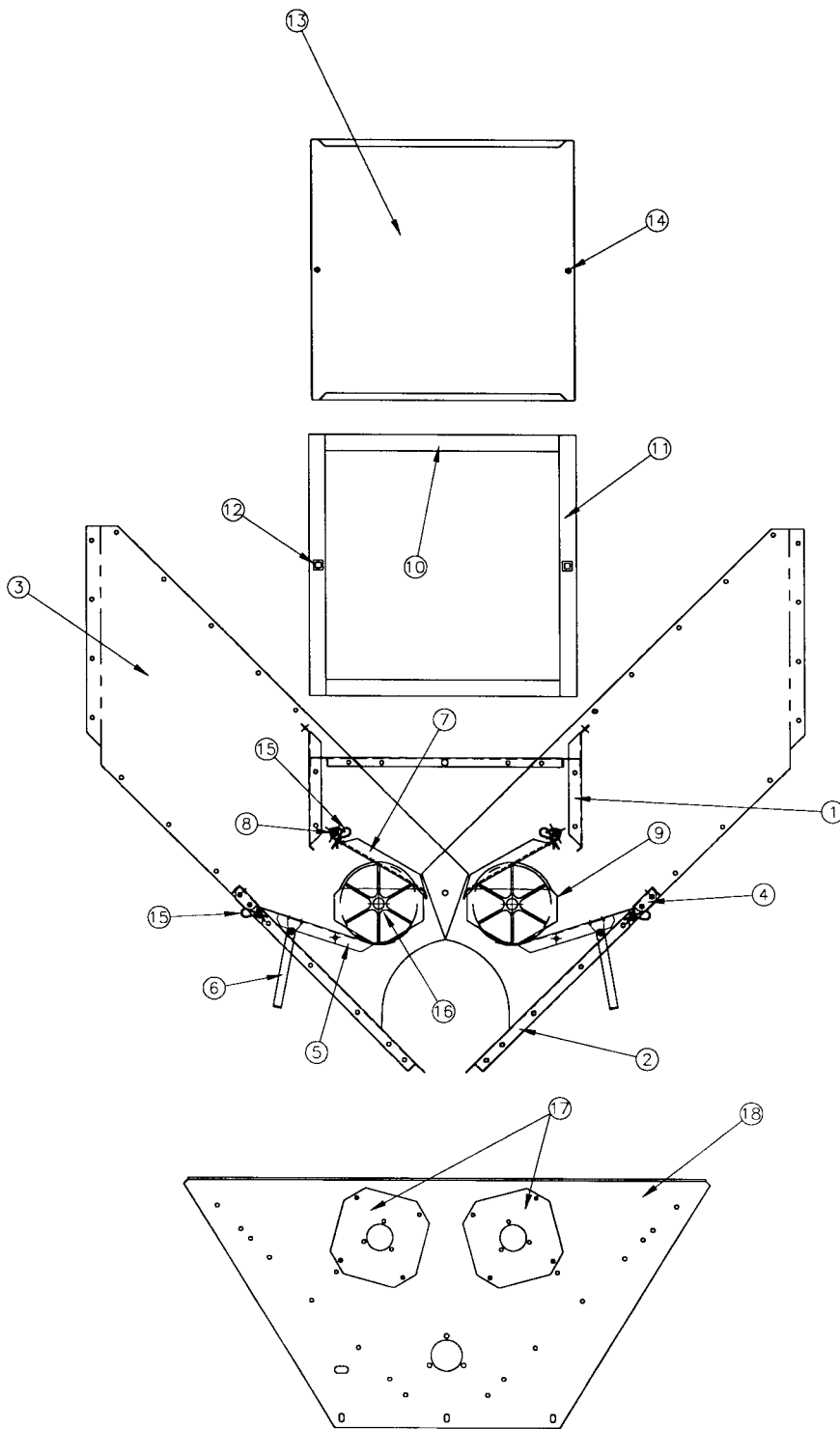
	PART NO.	DESCRIPTION		ASSEMBLY
	CF/AB 150	CF/AB 150 WITH 7" METER ROLL SYSTEM		X
	CF/AB 190	CF/AB 190 WITH 7" METER ROLL SYSTEM		X
	CF/AB 270	CF/AB 270 WITH 7" METER ROLL SYSTEM		X
	CF/AB 320	CF/AB 320 WITH 7" METER ROLL SYSTEM		X
ITEM	PART NO.	DWG. NO.	DESCRIPTION	QUANTITY
1	401-5264-7	1D-0307	GRAIN DIVERTER	8 10 12 14
2	401-5302-5	1C-1963	AUGER TROUGH PAN	8 10 12 14
3	401-5259-7	1D-0305	HOPPER BULKHEAD	6 8 10 12
4	401-5289-4	1B-2754	COLUMN STIFFENER	8 10 12 14
5	415-4604-5	3B-0341	METER ROLL PAN ASSEMBLY	8 10 12 14
6	406-2450-4	1A-0939	PUSH LEVER ARM	8 10 12 14
7	401-5293-6	1B-2757	GRAIN FLOW REGULATOR	8 10 12 14
8	017-1552-3	1A-0942	BEARING - BRZ 5/8OD X 1/4ID	16 20 24 28
9	017-1542-4	1B-2740	BEARING - PHENOLIC	- - 2 2
10	401-5303-3	1B-2765	SUPPT. CHANNEL - ACCESS DOOR	8 10 12 14
11	401-5304-1	1B-2766	SUPPT. CHANNEL - ACCESS DOOR	8 10 12 14
12	090-1709-6	-	RETAINER NUT 5/16-18, ZINC	8 10 12 14
13	401-5370-2	1B-2800	ACCESS DOOR - METER ROLLS	4 5 6 7
14	090-1469-7	-	HFWL 5/16-18 X 3/4	8 10 12 14
15	025-1223-4	-	HITCH PIN - #7	24 30 36 42
16	025-1217-6	1C-2040	METER ROLL 7IN - 95 11/16"	2 - - -
-	025-1220-0	1C-2040	METER ROLL 7IN - 119 5/8"	- 2 - -
-	025-1215-0	1C-2040	METER ROLL 7IN - 71 5/16"	- - 4 2
-	025-1216-8	1C-2040	METER ROLL 7IN - 95 11/32"	- - - 2
17	401-5296-9	1B-2759	BEARING ADAPTER PLATE	4 4 4 4
18	401-5285-2	1D-0313	FRONT BEARING MTG PLATE - 8IN	1 1 1 -
-	401-5311-6	1D-0320	FRONT BEARING MTG PLATE -10IN	- - - 1
19	410-2083-5	2C-0441	DISCHARGE MTG PLATE - 8IN	1 1 1 -
-	410-2084-3	2C-0442	DISCHARGE MTG PLATE - 10IN	- - - 1
20	069-1001-2	-	#40 DRIVE CHAIN	1 1 1 1
21	017-1545-7	-	SHEAVE 2AK22-5/8	1 1 1 1
22	017-1560-6	-	SHEAVE AK64H	1 1 1 1
23	017-1561-4	-	SPROCKET 4018-1.125 BORE	1 1 1 1
24	017-1563-0	-	SPROCKET 40P50	1 1 1 1
25	068-1007-1	-	SPROCKET - 40BS19	2 2 2 2
26	325-1979-5	AD72-483	SPROCKET IDLER ASSY.	2 2 2 2
27	401-5403-1	1B-2812	BELT GAURD - SCR DRIVE ASSY.	1 1 1 1
28	002-1299-3	-	MOTOR .33HPDC 1750 56 TEFC	1 1 1 1
29	017-1544-0	-	GEARBOX - WORM 100:1 SIZE 926	1 1 1 1
30	406-2455-3	1A-0941	STUB SHAFT-MR PROX SWITCH	1 1 1 1
31	401-5393-4	1B-2808	DRIVE INPUT SHAFT-METER ROLL	1 1 1 1
32	325-1942-3	AD72-469	METER ROLL DRIVE SHAFT	1 1 1 1
33	406-1027-1	AD72-473	METER ROLL STUB SHAFT	1 1 1 1
34	401-5488-2	1D-0342	MR DRIVE MOUNTING PLATE	1 1 1 1

COLUMN & METER ROLL DRIVE ASSEMBLY



REAR VIEW

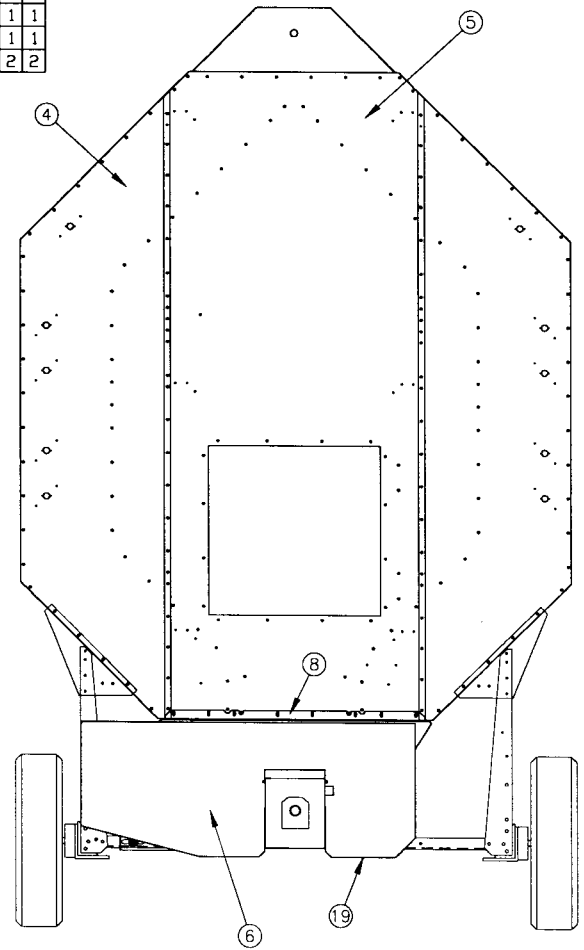
Fig. 1 Meter roll drive and parts, p.1 of 2



FRONT VIEW

Fig. 2 Column parts, p. 2 of 2

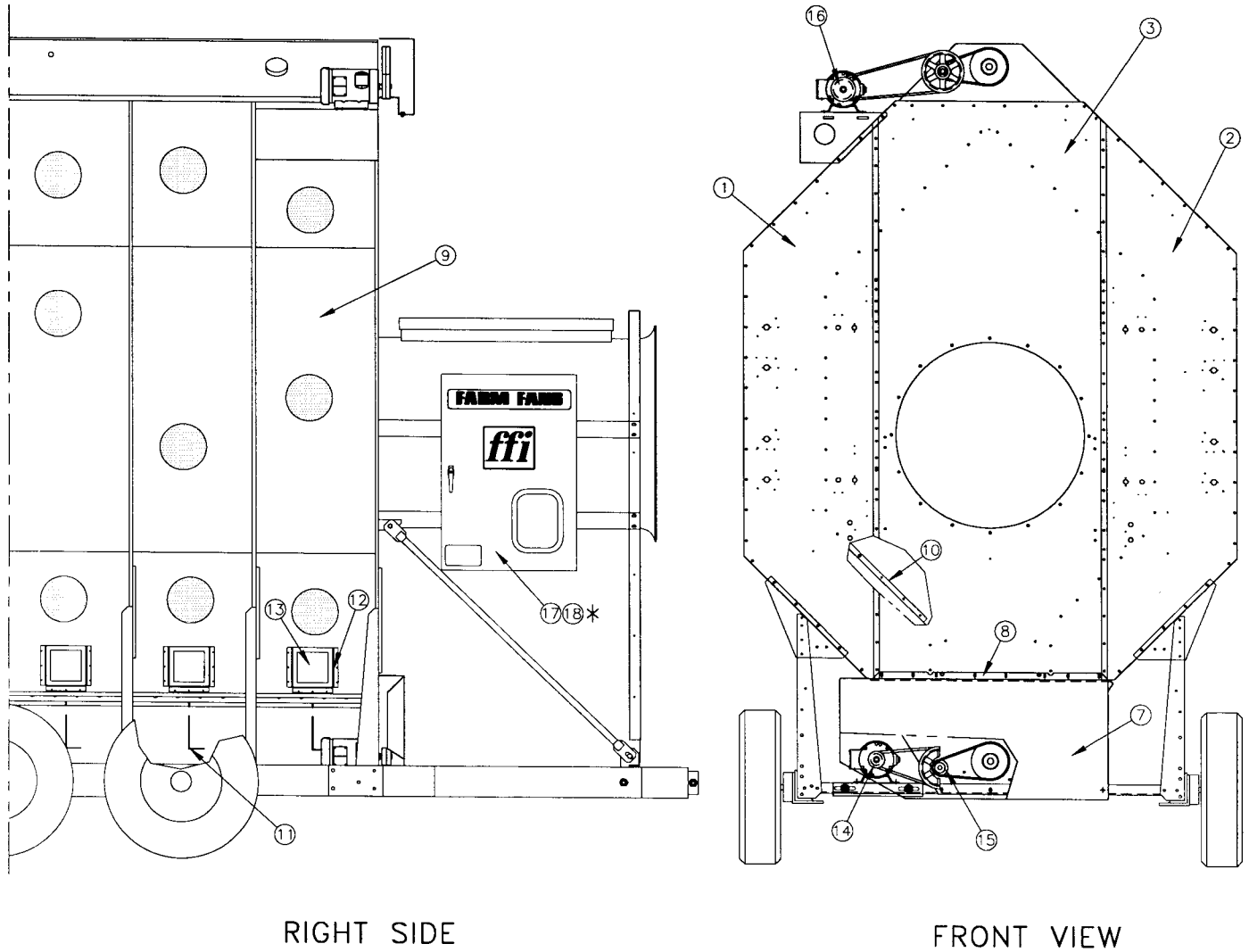
	PART NO.	DESCRIPTION	ASSEMBLY	
	CF/AB 150	CF/AB 150 WITH 7" METER ROLL SYSTEM	X	
	CF/AB 190	CF/AB 190 WITH 7" METER ROLL SYSTEM	X	
	CF/AB 270	CF/AB 270 WITH 7" METER ROLL SYSTEM	X	
	CF/AB 320	CF/AB 320 WITH 7" METER ROLL SYSTEM	X	
ITEM	PART NO.	DWG. NO.	DESCRIPTION	QUANTITY
1	401-5494-0	1D-0347	COLUMN END FRONT LH & RH	1 1 - -
1	401-5491-6	1D-0344	COLUMN END FRONT	- - 1 1
2	401-5494-0	1D-0347	COLUMN END FRONT LH & RH	1 1 - -
2	401-5491-6	1D-0344	COLUMN END FRONT	- - 1 1
3	401-5487-4	1D-0341	END PANEL FRONT CF/AB 150	1 - - -
3	401-5313-2	1D-0322	END PANEL FRONT CF/AB 190	- 1 - -
3	401-5351-2	1D-0325	END PANEL FRONT CF/AB 270	- - 1 -
3	401-5505-3	1D-0352	END PANEL FRONT CF/AB 320	- - - 1
4	401-5493-2	1D-0346	COLUMN END - REAR SMALL	2 2 - -
4	401-5490-8	1D-0343	COLUMN END - REAR LARGE	- - 2 2
5	401-5281-1	1D-0310	REAR PANEL CF/AB 150 & 190	1 1 - -
5	401-5356-1	1D-0326	REAR PANEL - SINGLE DOOR	- - 1 1
6	401-5361-1	1D-0328	DRIVE SHIELD - METER ROLL	1 1 1 1
7	401-5362-9	1D-0329	AUGER DRIVE SHIELD	1 1 1 1
8	401-5288-6	1B-2753	ATTACH ANGLE - END PANEL	2 2 2 2
9	401-5373-6	1B-2802	OUTER WALL SHEET .094 PERF.	8 10 - -
9	401-5375-1	1B-2804	OUTER WALL SHEET .094 PERF.	- - 12 14
10	401-5372-8	1B-2801	PLENUM WALL SHEET .094 PERF.	8 10 - -
10	401-5376-9	1B-2805	PLENUM WALL SHEET .094 PERF.	- - 12 14
11	406-2450-4	1A-0939	PUSH LEVER ARM	8 10 12 14
12	806-1040-5	1C-0853	GRAIN INSPECT. HOLE FRAME	8 10 12 14
13	801-1023-2	1B-1232	GRAIN INSPECT. HOLE COVER	8 10 12 14
14	017-4378-3	-	MOTOR SHAFT SHEAVE 2AK32H	1 - - -
15	017-1521-8	-	JACK SHAFT SPROCKET H4018-1	- 1 1 -
16	017-1378-3	-	MOTOR SHAFT SHEAVE 2AK32H	- 1 - -
16	017-1448-4	-	MOTOR SHAFT SHEAVE 2AK49H	- - 1 -
17	415-4589-9	3C-0780	1/3HP SCR CONTROL ASSY.	1 1 1 1
18	420-1465-4	4A-0149	US PATENT DECAL	1 1 1 1
19	401-5363-7	1A-0923	SPACER - MR DRIVE SHIELD	2 2 2 2



REAR VIEW

Fig. 3 Dryer basket parts, p. 1 of 2

CF/AB 270 SHOWN



\* PLACE PATENT PENDING DECAL NEXT TO SERIAL NUMBER DECAL.

Fig. 3 Dryer basket parts, p. 2 of 2



# **FARM FANS**

Division of ffi Corporation  
5900 Elmwood Ave. • Indianapolis, IN 46203  
©2001 ffi Corporation Printed in USA