

7 INCH METER ROLL CFSA PARTS MANUAL SUPPLEMENT

For CFSA-320, 410, 510, & 600 Grain Dryers Manufactured in 1999 & Later

This supplement covers design improvements made to CFSA-320, 410, 510, and 600 model dryers manufactured in 1999 and later.

When ordering a part, please check this supplement first to see whether it is covered within the supplement. Refer to bulletin CFSA-02-3 for most of the remaining parts.

CONTENTS

Fig. 1	Meter roll drive and parts	2
Fig. 2	Column parts	3
Fig. 3	Dryer basket parts	4

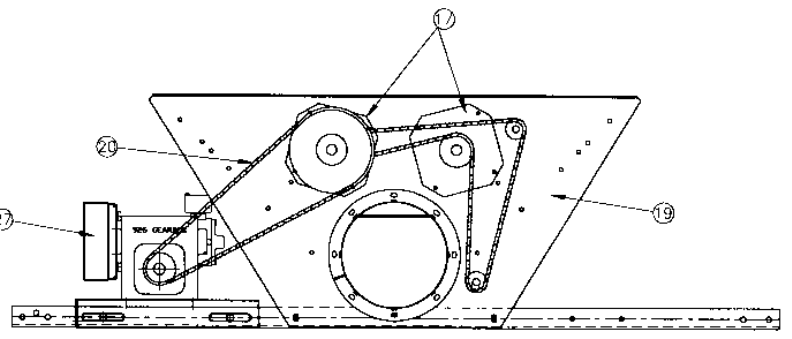
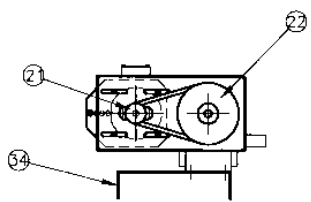
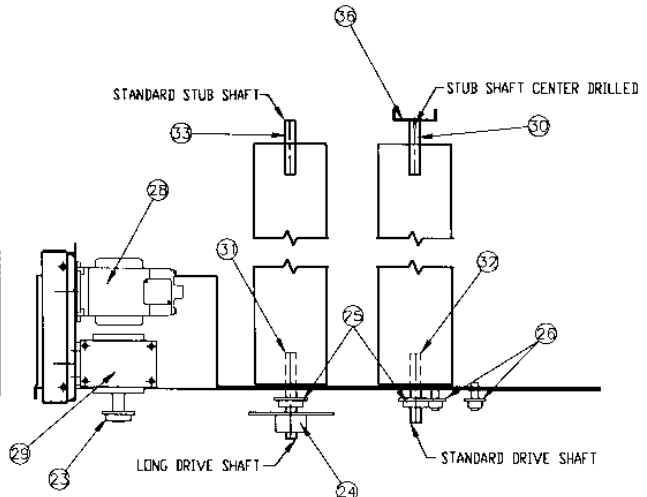


FARM FANS

Division of ffi Corporation
5900 Elmwood Ave. • Indianapolis, IN 46203
©2001 ffi Corporation Printed in USA

	PART NO.	DESCRIPTION	ASSEMBLY
	CF/SA 320	CF/SA 320 WITH 7" METER ROLL SYSTEM	X
	CF/SA 410	CF/SA 410 WITH 7" METER ROLL SYSTEM	X
	CF/SA 510	CF/SA 510 WITH 7" METER ROLL SYSTEM	X
	CF/SA 600	CF/SA 600 WITH 7" METER ROLL SYSTEM	X
ITEM	PART NO.	DESCRIPTION	QUANTITY
1	401-5264-7	1D-0307 GRAIN DIVERTER	14182226
2	401-5302-5	1C-1963 AUGER TROUGH PAN	14182226
3	401-5259-7	1D-0305 HOPPER BULKHEAD	12162024
4	401-5289-4	1B-2754 COLUMN STIFFENER	14182226
5	415-4604-5	3B-0341 METER ROLL PAN ASSEMBLY	14182226
6	406-2450-4	1A-0939 PUSH LEVER ARM	14182226
7	401-5293-6	1B-2757 GRAIN FLOW REGULATOR	14182226
8	017-1552-3	1A-0942 BEARING - BRZ 5/800 X 1/4ID	28364452
9	017-1542-4	1B-2740 BEARING - PHENOLIC	2 2 4 4
10	401-5303-3	1B-2765 SUPPT. CHANNEL - ACCESS DOOR	14182226
11	401-5304-1	1B-2766 SUPPT. CHANNEL - ACCESS DOOR	14182226
12	090-1709-6	- RETAINER NUT 5/16-18, ZINC	14182226
13	401-5370-2	1B-2800 ACCESS DOOR - METER ROLLS	7 9 11 13
14	090-1469-7	- HFWL 5/16-18 X 3/4	14182226
15	025-1223-4	- HITCH PIN - #7	42546678
16	025-1219-2	1C-2040 METER ROLL 7IN - 119 13/32"	- 2 - -
-	025-1218-4	1C-2040 METER ROLL 7IN - 119"	- - 2 2
-	025-1215-0	1C-2040 METER ROLL 7IN - 71 5/16"	2 - 4 -
-	025-1216-8	1C-2040 METER ROLL 7IN - 95 11/32"	2 2 - 4
17	401-5296-9	1B-2759 BEARING ADAPTER PLATE	4 4 4 4
18	401-5311-6	1D-0320 FRONT BEARING MTG PLATE -10IN	1 1 1 1
19	410-2084-3	2C-0442 DISCHARGE MTG PLATE - 10IN	1 1 1 1
20	069-1001-2	- #40 DRIVE CHAIN	1 1 1 1
21	017-1545-7	- SHEAVE 2AK22-5/8	1 1 1 1
22	017-1560-6	- SHEAVE AK64H	1 1 1 1
23	017-1561-4	- SPROCKET 4018-1.125 BORE	1 1 1 1
24	017-1563-0	- SPROCKET 40P50	1 1 1 1
25	068-1007-1	- SPROCKET - 40BS19	2 2 1 1
26	325-1979-5	AD72-483 SPROCKET IDLER ASSY.	2 2 2 2
27	401-5403-1	1B-2812 BELT GAURD - SCR DRIVE ASSY.	1 1 1 1
28	002-1299-3	- MOTOR .33HPDC 1750 .56 TEFC	1 1 1 1
29	017-1544-0	- GEARBOX - WORM 100:1 SIZE 926	1 1 1 1
30	406-2455-3	1A-0941 STUB SHAFT-MR PROX SWITCH	1 1 1 1
31	401-5393-4	1B-2808 DRIVE INPUT SHAFT-METER ROLL	1 1 1 1
32	325-1942-3	AD72-469 METER ROLL DRIVE SHAFT	1 1 1 1
33	406-1027-1	AD72-473 METER ROLL STUB SHAFT	1 1 1 1
34	401-5488-2	1D-0342 MR DRIVE MOUNTING PLATE	1 1 1 1
35	415-4509-6	3B-0337 BEARING PROX MTG ASSY.	1 1 1 1
36	401-5501-2	1B-2868 TARGET PROX SWITCH	1 1 1 1
37	415-4510-4	3D-0548 CONDUIT ASSY - MR PROX SWITCH	1 - -
37	415-4512-8	3D-0555 CONDUIT ASSY - MR PROX SWITCH	- 1 1

COLUMN & METER ROLL DRIVE ASSEMBLY



REAR VIEW

Fig. 1 Meter roll drive and parts, p.1 of 2

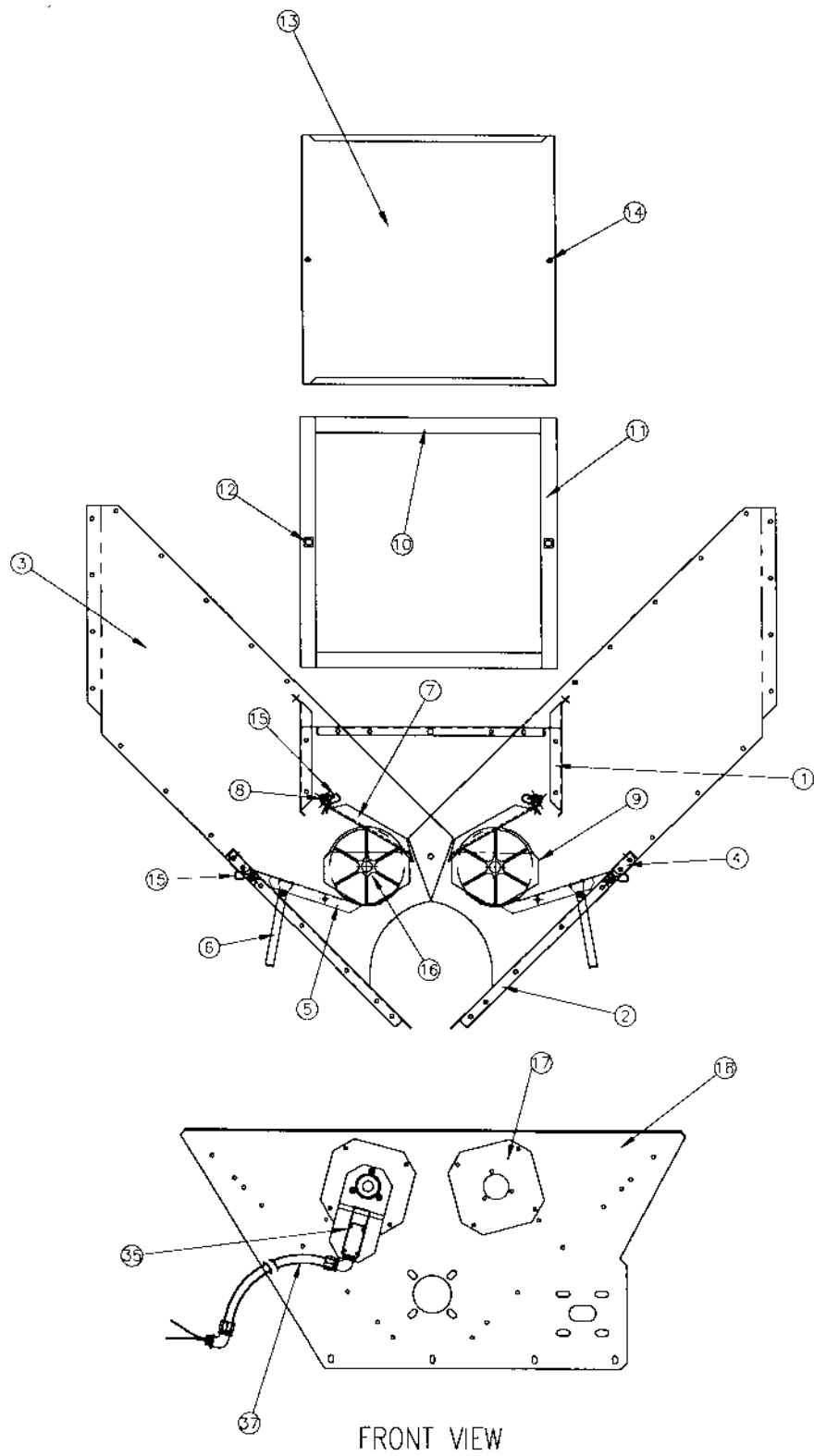
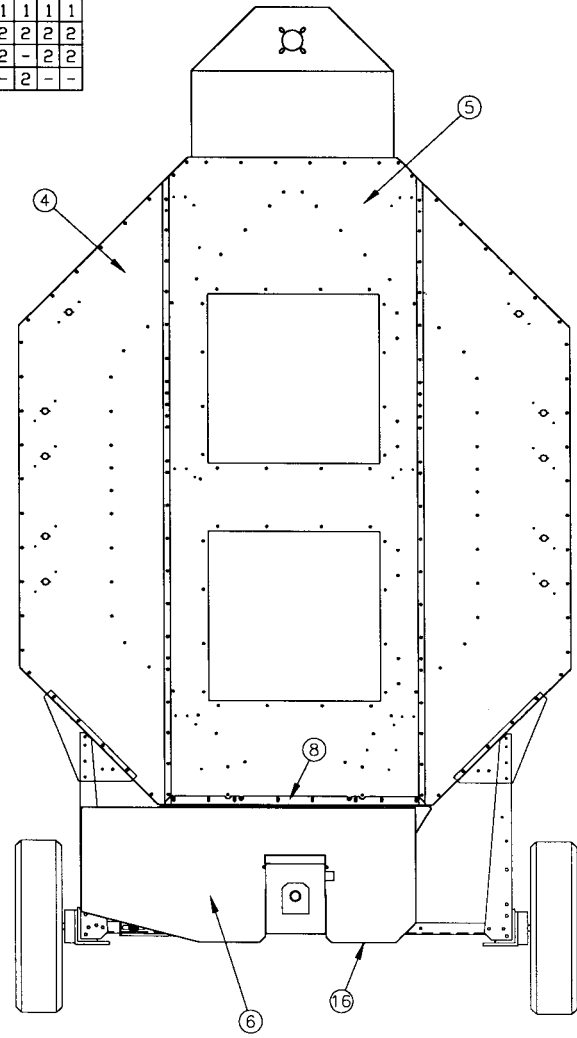


Fig. 2 Column parts, p. 2 of 2

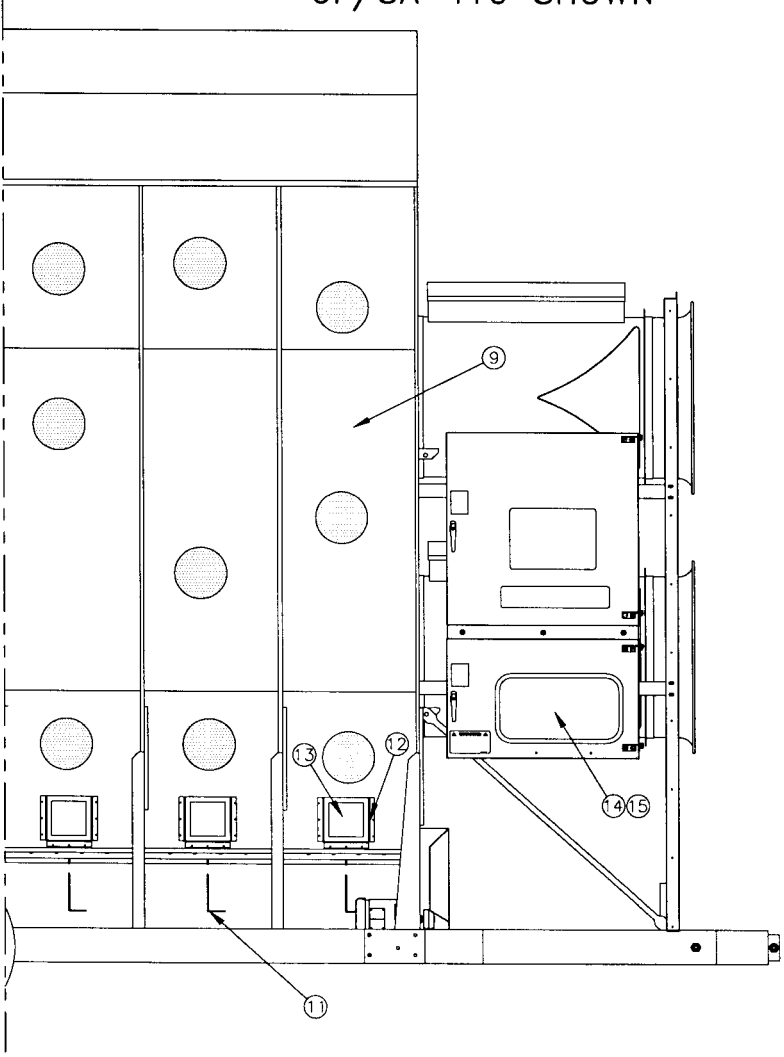
	PART NO.	DESCRIPTION	ASSEMBLY	
	CF/SA 320	CF/SA 320 WITH 7" METER ROLL SYSTEM	X	
	CF/SA 410	CF/SA 410 WITH 7" METER ROLL SYSTEM	X	
	CF/SA 510	CF/SA 510 WITH 7" METER ROLL SYSTEM	X	
	CF/SA 600	CF/SA 600 WITH 7" METER ROLL SYSTEM	X	
ITEM	PART NO.	DWG. NO.	DESCRIPTION	QUANTITY
1	401-5491-6	1D-0344	COLUMN END FRONT	1 1 1 1
2	401-5491-6	1D-0344	COLUMN END FRONT	1 1 1 1
3	401-5498-1	1D-0349	END PANEL FRONT CF/SA 320	1 - - -
3	401-5497-3	1D-0348	END PANEL FRONT CF/SA 410	- 1 - -
3	401-5457-9	1D-0327	END PANEL FRONT 2-36' FANS	- - 1 -
3	401-5402-3	1D-0335	END PANEL FRONT 2-39' FANS	- - - 1
4	401-5490-8	1D-0343	COLUMN END - REAR LARGE	2 2 2 2
5	401-5365-2	1D-0331	REAR PANEL - 2 SQ. DOORS	1 1 1 1
6	401-5361-1	1D-0328	DRIVE SHIELD - METER ROLL	1 1 1 1
7	401-5362-9	1D-0329	AUGER DRIVE SHIELD	1 1 1 1
8	401-5288-6	1B-2753	ATTACH ANGLE - END PANEL	2 2 2 2
9	401-5375-1	1B-2804	OUTER WALL SHEET .094 PERF.	14182226
10	401-5376-9	1B-2805	PLENUM WALL SHEET .094 PERF.	14182226
11	406-2450-4	1A-0939	PUSH LEVER ARM	14182226
12	806-1040-5	1C-0853	GRAIN INSPECT. HOLE FRAME	14182226
13	801-1023-2	1B-1232	GRAIN INSPECT. HOLE COVER	14182226
14	415-4589-9	3C-0780	1/3HP SCR CONTRDL ASSY.	1 1 1 1
15	420-1465-4	4A-0149	US PATENT DECAL	1 1 1 1
16	401-5363-7	1A-0923	SPACER - MR DRIVE SHIELD	2 2 2 2
17	017-1520-0	-	BELT BX100	2 - 2 2
17	019-1018-9	-	BELT BX93	- 2 - -



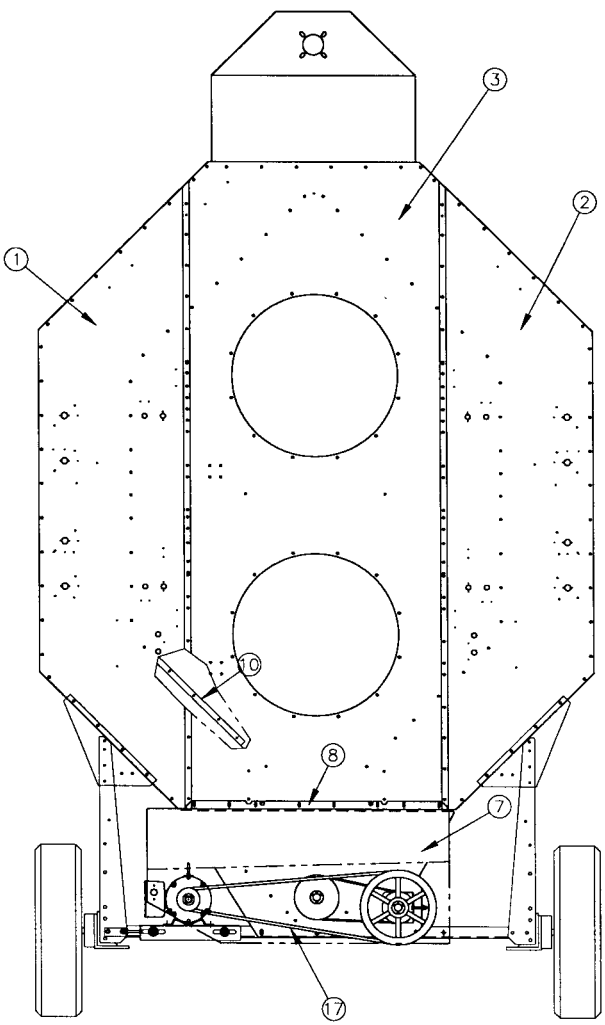
REAR VIEW

Fig. 3 Dryer basket parts, p. 1 of 2

CF/SA 410 SHOWN



RIGHT SIDE



FRONT VIEW

* PLACE PATENT PENDING DECAL NEXT TO SERIAL NUMBER DECAL.

Fig. 3 Dryer basket parts, p. 2 of 2



FARM FANS

Division of ffi Corporation
5900 Elmwood Ave. • Indianapolis, IN 46203
©2001 ffi Corporation Printed in USA