

M—SERIES BUTTRESS SUPPORT INSTALLATION INSTRUCTIONS

The buttress supports are designed to be used in conjunction with the special foundation and pedestals required for the CF-1300M and CF-2000M dryers.

Pages 5, 6 and 7 show an exploded view with connection details illustrating all of buttress parts required for each model dryer.

The procedure listed assumes that all bolts are installed with the nuts on the OUTSIDE, with the buttress columns LOOSELY ATTACHED to the dryer modules, before any modules are installed.

1. Assemble and install the bottom buttress columns onto the bottom dryer module as follows:
 - A. Connect the 8 foundation channel brackets onto the dryer side rails as shown in Fig. 1. Use care to insert bolt through the required channel hole to properly center the channel brackets with the buttress attach brackets (located on side of dryers).
 - B. Loosely connect the right and left-hand buttress column sections together by installing 3 or 4 rows of 1" x 3/8" Dia. bolts at each end as shown in Fig. 2.

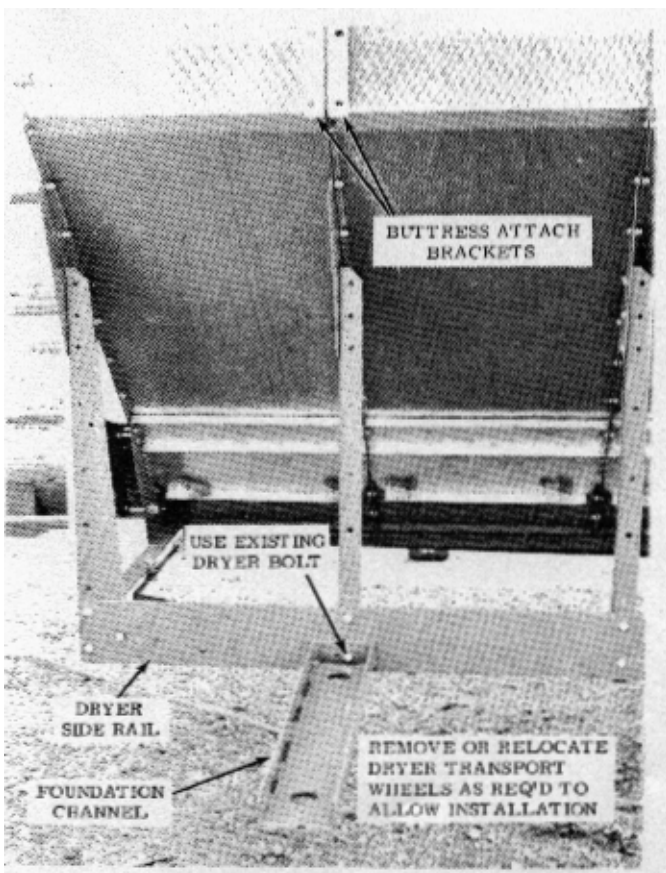


Fig. 1 - FOUNDATION CHANNEL BRACKET
ATTACHMENT TO BOTTOM DRYER MODULE

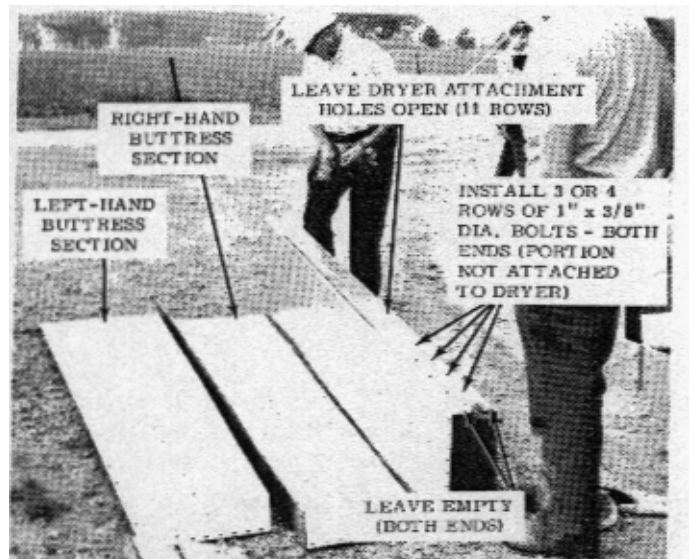


Fig. 2. - CONNECTING RIGHT AND LEFT-HAND
BUTTRESS COLUMNS TOGETHER
(CF-2000M BOTTOM BUTTRESS SHOWN)



FARM FANS, INC.

5900 ELMWOOD AVENUE • INDIANAPOLIS, INDIANA 46203

Printed in U.S.A.

- C. Install the buttress columns within the foundation channel brackets and LOOSELY connect each buttress to the attach brackets on dryer using twenty-two 1 1/4" x 3/8" Dia. bolts with washers. Install washers on both sides (under bolt head and under nut) to allow a greater clamping area when bolts are finally tightened. DO NOT TIGHTEN BOLTS AT THIS TIME.

NOTE: Fig. 3 shows a simple method of installing the bottom butresses onto position on a 3 module dryer, without using heavy physical force or special lifting equipment.

- D. After the butresses are attached to the dryer use 1" x 3/8" Dia. bolts and finish loosely connecting the right and left-hand buttress sections together.
- E. Use 1 1/2" x 1/2" Dia. bolts with a 3/16" thick (7 ga.) washer under each bolt head and nut, and LOOSELY connect the bottom buttress ends to the foundation channel brackets. See Fig. 4.

NOTE: Do not install bolts at the buttress channel hole locations, as they must be installed later after all modules are in place.

If 3/16" thick washers are not included, use two standard 12 Ga. washers under nuts and bolt heads.

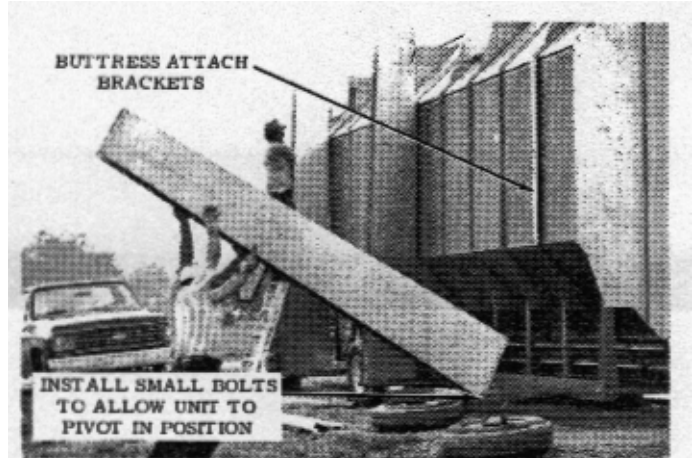


FIG. 3 INSTALLING BOTTOM BUTTRESS COLUMNS (3 MODULE DRYER SHOWN)

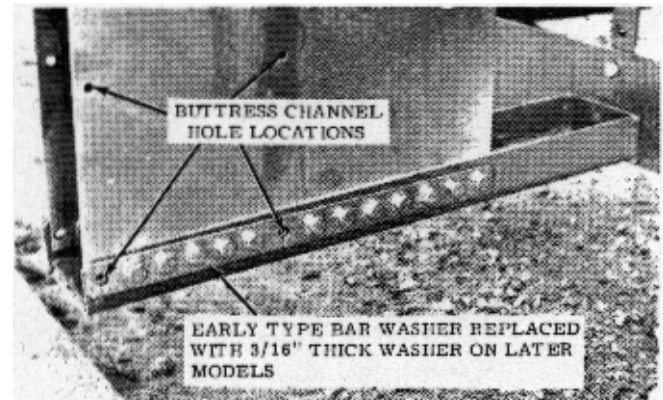


FIG. 4 VIEW OF BOTTOM BUTTRESSES LOOSELY ATTACHED TO CHANNEL BRACKETS (3 MODULE DRYER SHOWN)

- 2. CF-2000M MODELS ONLY - Install the intermediate buttress columns as follows:

- A. Remove rear set of transport wheels from dryer module.
- B. Assemble the right and left-hand intermediate columns, similar to the bottom buttress parts shown in Fig. 2.
- C. Loosely connect the intermediate buttress columns to the buttress brackets on dryer as shown in Fig. 5.

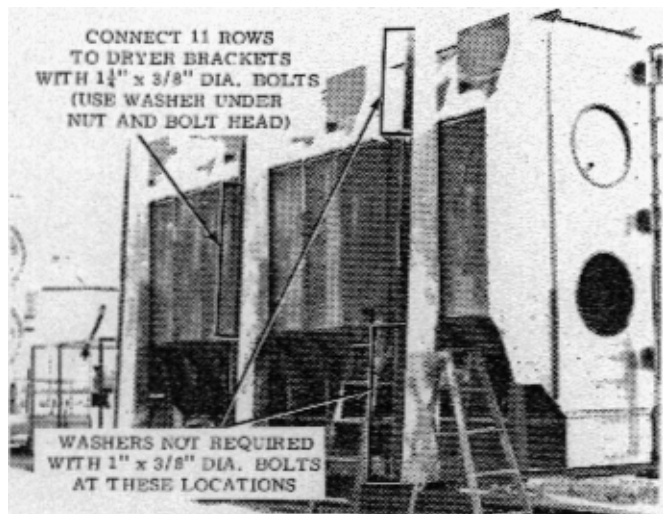


FIG. 5 TYPICAL VIEW OF INTERMEDIATE BUTTRESSES INSTALLED ONTO MIDDLE MODULE

3. Assemble the right and left-hand top buttress columns and loosely connect them onto the dryer as shown in Fig. 6.

4. When installing the dryer modules, complete the buttress installation as described:

A. With bottom module mounted onto the foundation pedestals, secure the foundation channel brackets by installing the two large channel washers and 1" nuts as shown in Fig. 7.

Check that all channel brackets and dryer side rails are in proper contact with pedestals. If required, the 6" x 6" 14 Ga. shims may be installed to provide level support. See Fig. 7.

B. CF-2000M ONLY - After the intermediate module is placed, with the module support pad bolts installed, LOOSELY connect the two columns by installing the intermediate buttress splices. See Fig. 8.

Check that the bottom side rails of the intermediate module are in proper contact with the support pads of the bottom module. If required, install the module support shims (Part No. A22-030) at the corners of the support pads to provide level support.

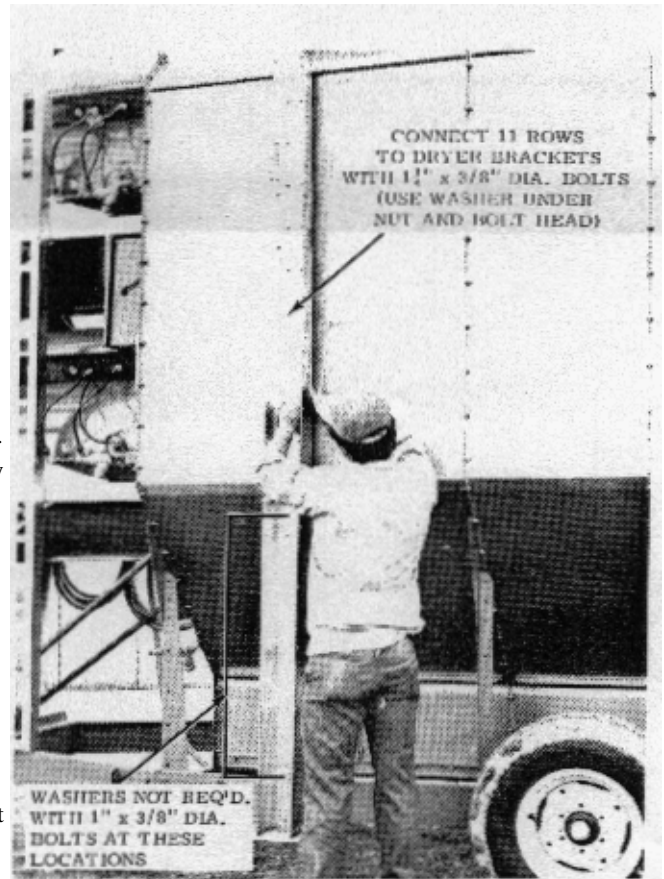


FIG. 6 . CONNECTING UPPER BUTTRESS COLUMNS

C. With the top module lifted into place and connected to its lower module, LOOSELY connect the two buttress columns by installing the top buttress splices. Use 1 1/2" x 1/2" Dia. bolts with a 3/16" thick washer under nut and bolt head, similar to the parts shown in Fig. 8.

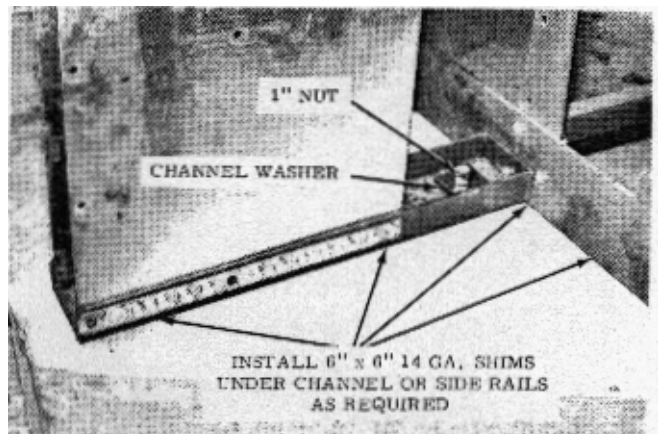


FIG. 7 . CONNECTING FOUNDATION CHANNEL BRACKETS TO FOUNDATION PEDESTALS (3 MODULE DRYER SHOWN)

D. With all buttress splices LOOSELY connected, fully tighten the following:

D. 1 - Tighten all 3/8 Dia. buttress column bolts, to secure the columns solidly to the dryer and form a rigid channel.

D. 2 - Tighten all of the 1 1/2" x 1/2" Dia. bolts (foundation channels and buttress splices) LOCATED ON THE DRYER SIDE of the nearest buttress channel hole locations. All bolts located behind the buttress channel holes should be FULLY tightened before the channels are installed.

NOTE: CF-2000M Models require two channels within the bottom buttress column,

THE INNER CHANNEL MUST BE INSTALLED FIRST AND DOES NOT CONNECT TO THE UPPER BUTTRESS COLUMNS.

D. 3 - CF-2000M ONLY - Install and connect inner channel within the bottom buttresses. Use 1 1/2" X 1/2" Dia. bolts with a 3/16" thick washer under nut and bolt head at ends of channels, and 1" x 3/8" Dia. bolts (without washers) at other holes.

TIGHTEN ALL CHANNEL BOLTS SECURELY.

After inner channel is installed, fully tighten the other foundation channel and intermediate buttress splice bolts located on dryer side of outer channel holes.

D. 4 - With all inside bolts fully tightened, install outer channels onto buttresses using a channel splice to connect the channels. See Fig. 9. MAKE SURE TO INSTALL SQUARE WASHERS ON INSIDE OF CHANNEL SPLICES as shown and FULLY TIGHTEN all channel bolts.

5. CAREFULLY INSPECT THE ASSEMBLED BUTTRESSES FOR LOOSE OR MISSING PARTS. MAKE SURE ALL BOLTS ARE FULLY TIGHTENED.

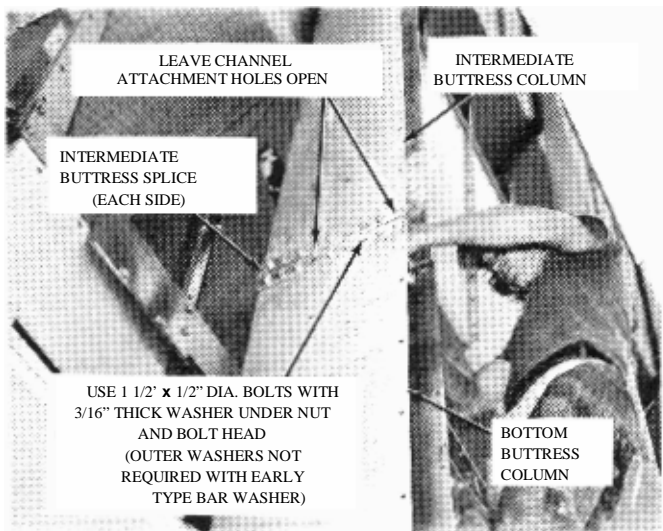


FIG. 8 - INSTALLING INTERMEDIATE BUTTRESS

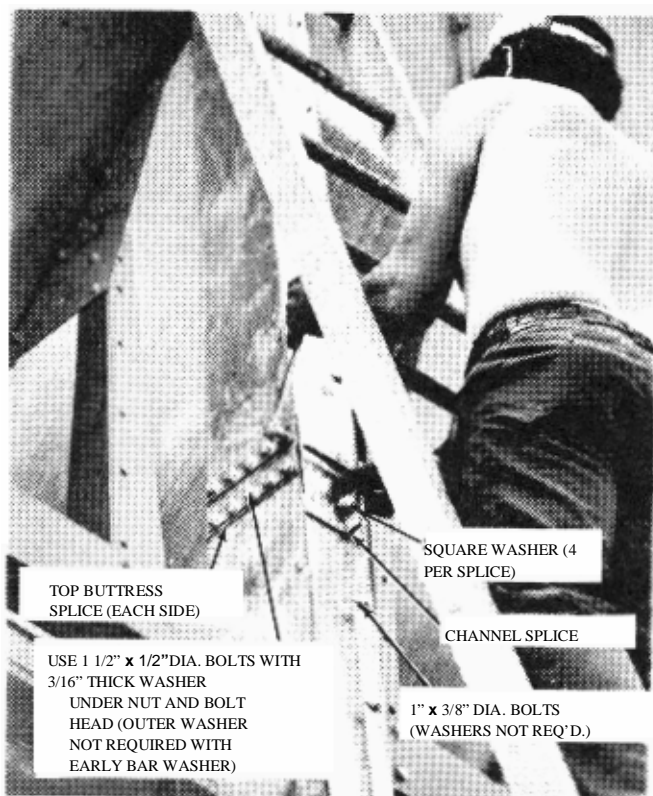
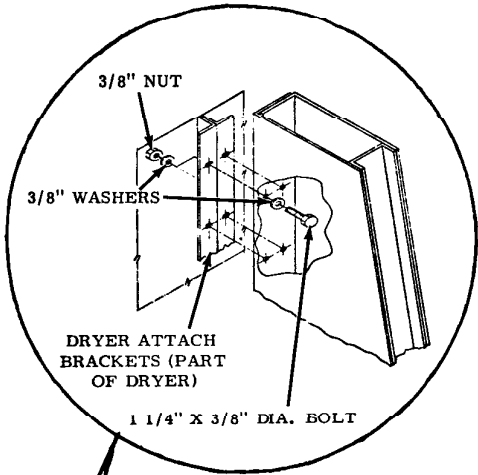


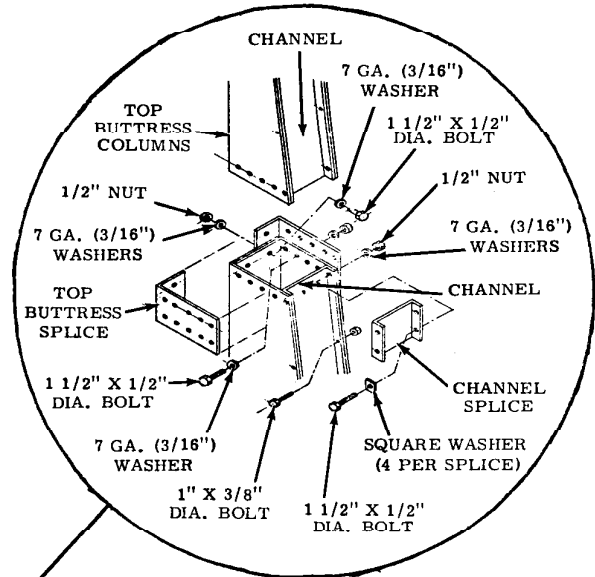
FIG. 9 - INSTALLING BUTTRESS CHANNELS AND CHANNEL SPLICES

CF-1300M

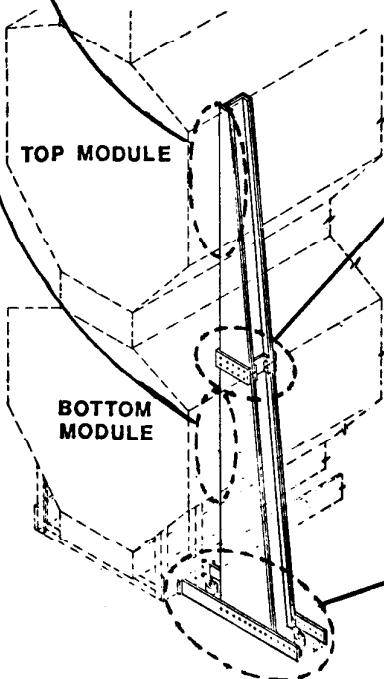
BUTTRESS PARTS & CONNECTIONS



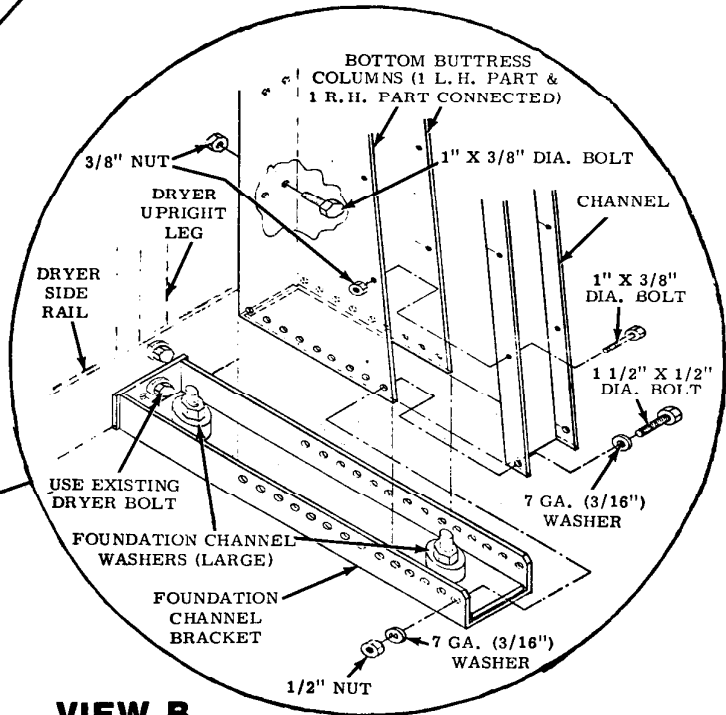
VIEW A
BUTTRESS CONNECTION
TO DRYER DETAILS



VIEW C
TOP BUTTRESS
SPlice DETAILS



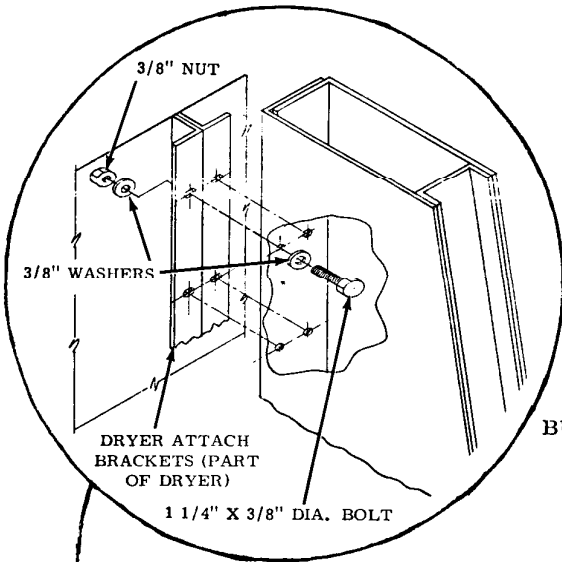
SEE BACK PAGE FOR
ELEVATION VIEW SHOWING
BUTTRESS LOCATIONS.



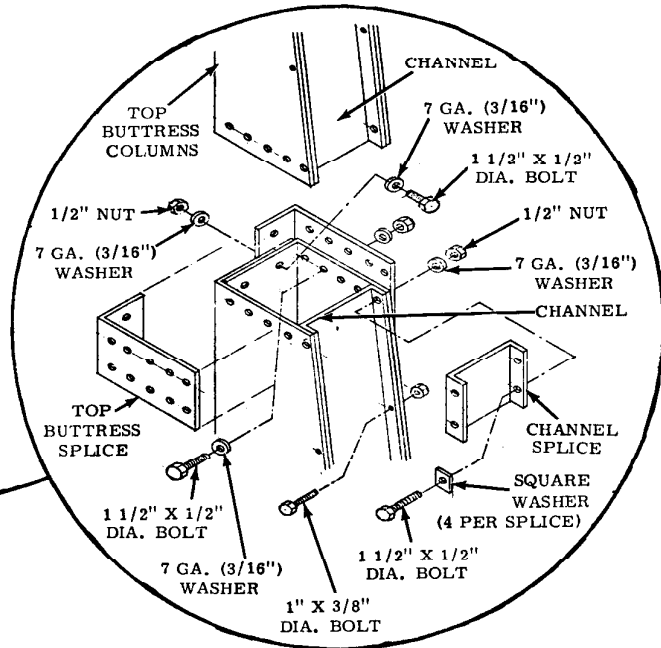
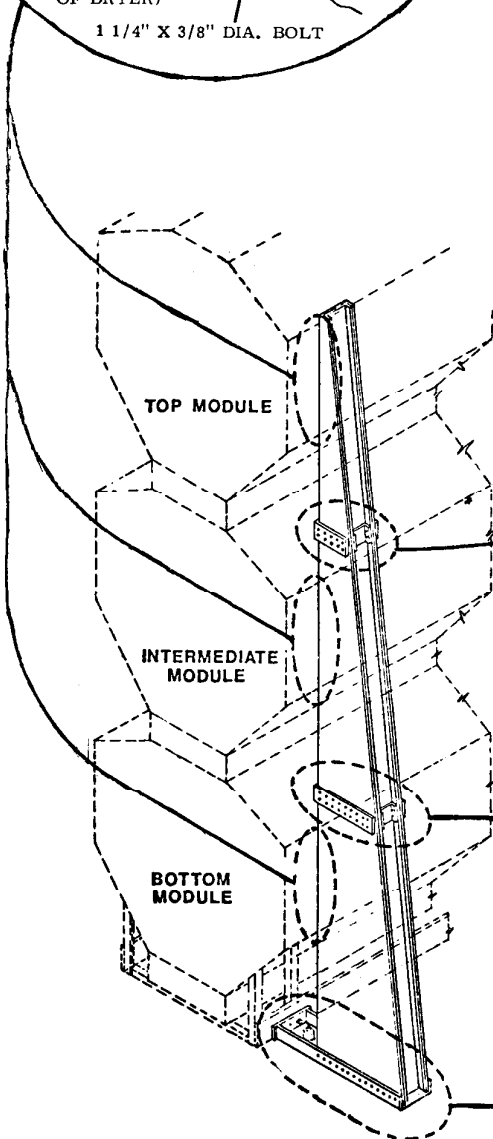
VIEW B
BOTTOM BUTTRESS DETAILS

CF-2000M

SEE BACK PAGE FOR
ELEVATION VIEW SHOWING
BUTTRESS LOCATIONS.

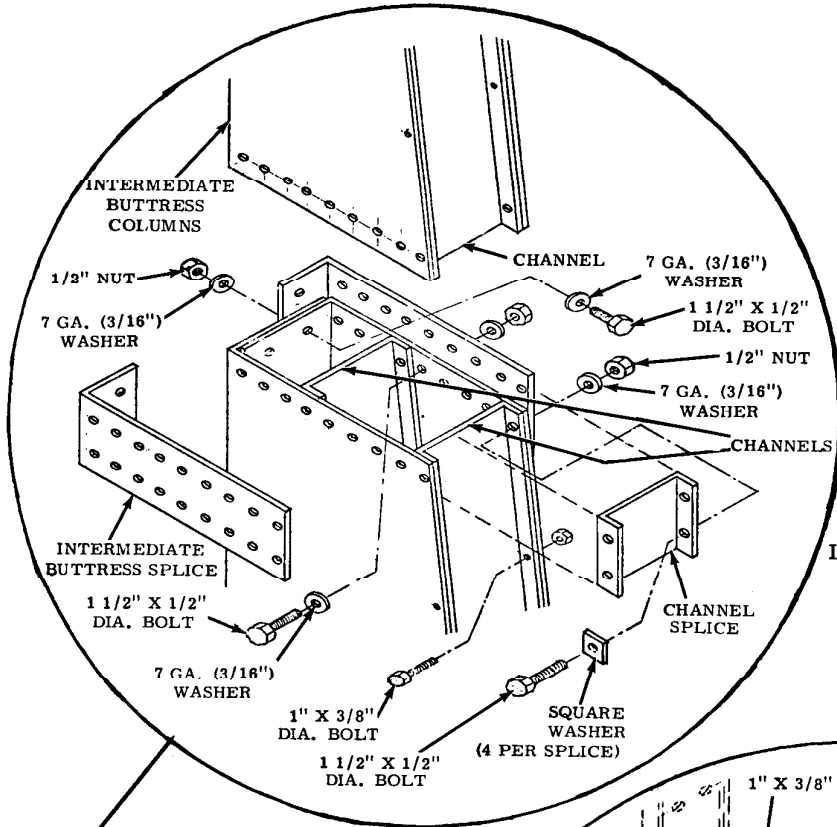


VIEW A
BUTTRESS CONNECTION
TO DRYER DETAILS

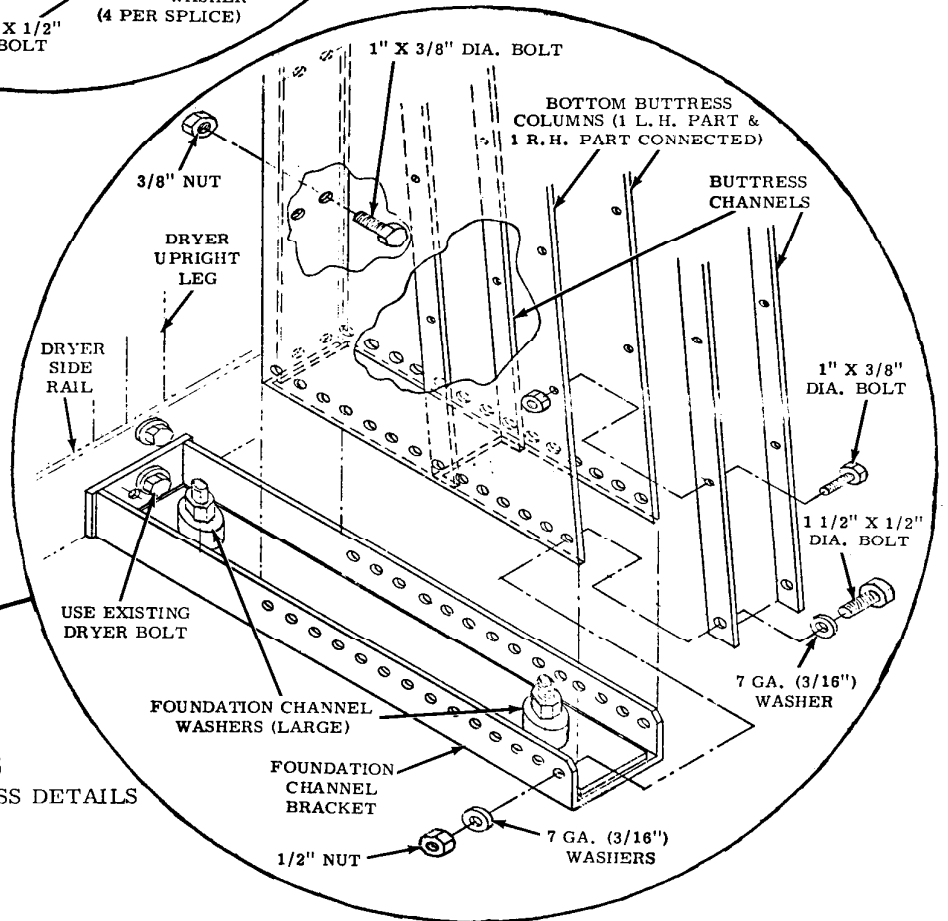


VIEW D
TOP BUTTRESS
SPLICE DETAILS

BUTTRESS PARTS & CONNECTIONS

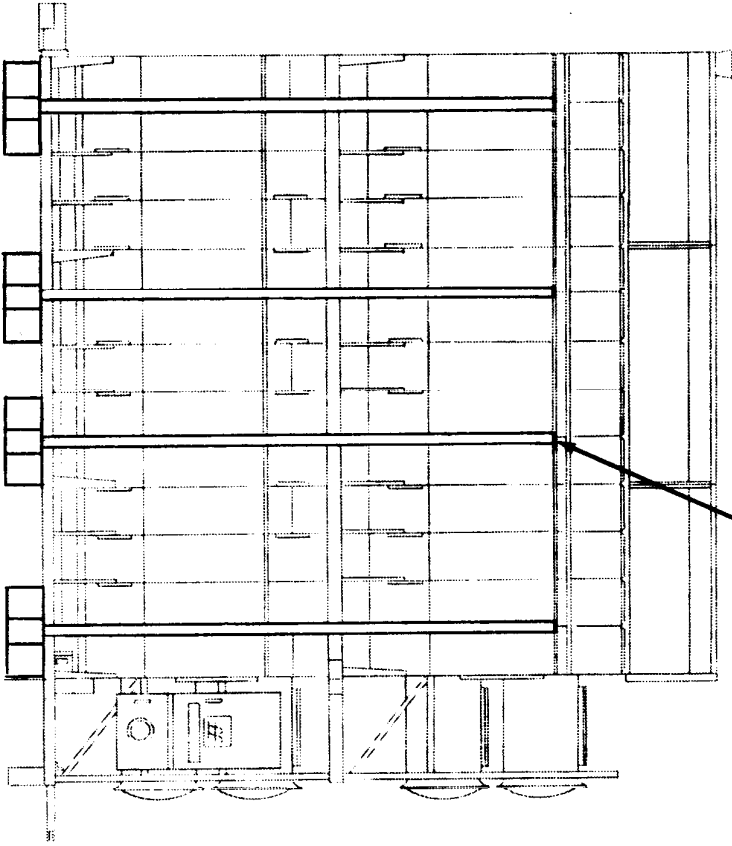


VIEW C
INTERMEDIATE BUTTRESS SPLICE DETAILS



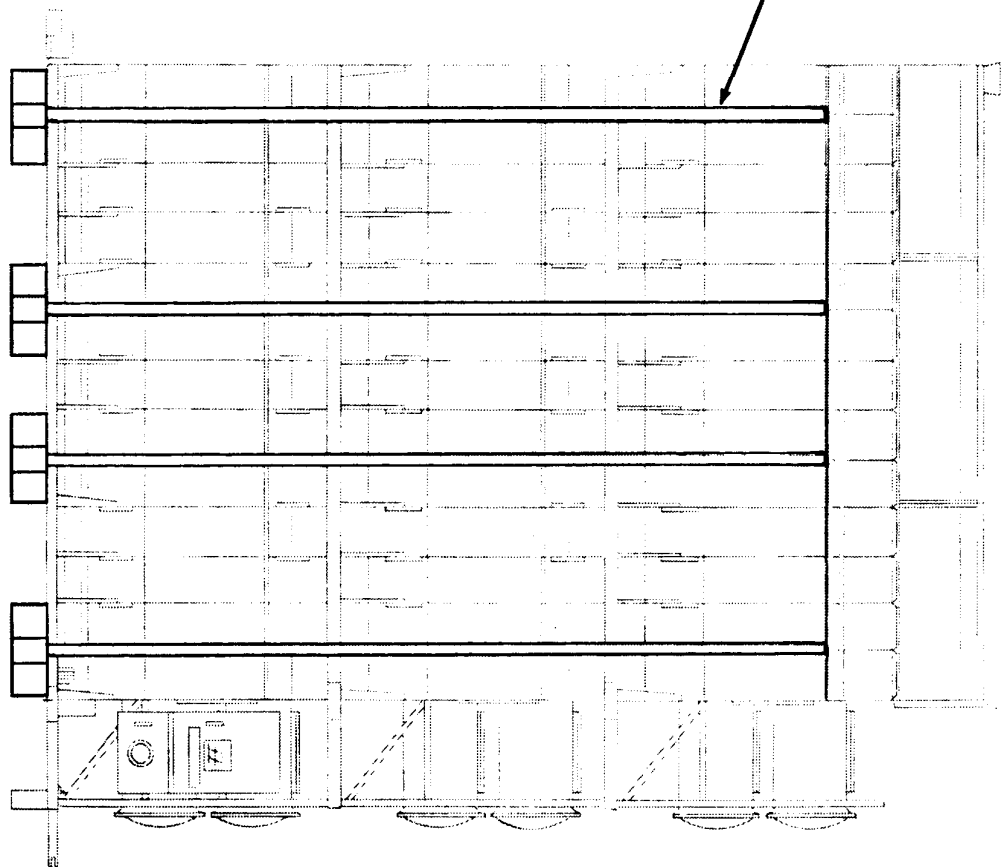
VIEW B
BOTTOM BUTTRESS DETAILS

CF-1300M



BUTTRESS

CF-2000M



LOCATION OF BUTTRESS SUPPORTS