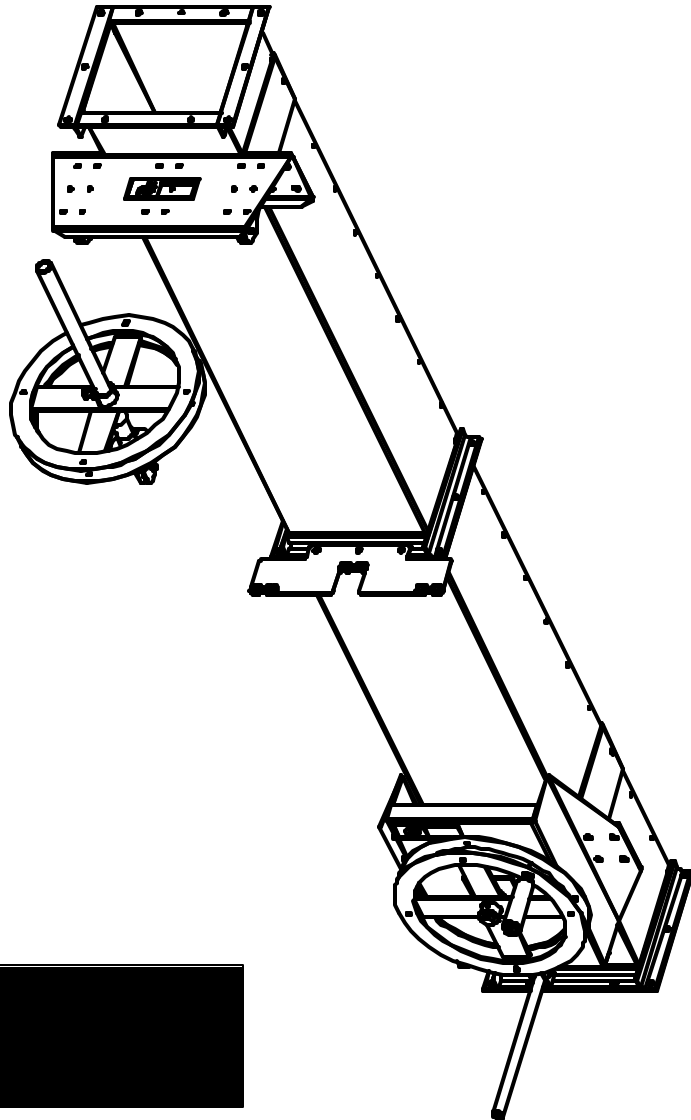


Distributor Cable Control



**Installation
Manual
PNEG-971**



Table of Contents

Equipment Information	4
Safety Guidelines	5
Decals	7
Training Sign Off Sheet	8
Introduction	9
Part Identification	10
Installation	11
Cable Wheel and Coupler Connector	11
Connector Pulley	12
Cable Guide Assembly	13
Upper Cable Guide Assembly	14
Control Handle Installation	15
Lower Cable Wheel	16
Cable Guides	17
Cable Installation	18
Warranty	19

EQUIPMENT INFORMATION

Use of the Equipment Information page will help you identify your equipment in the case that you need to call your dealer or installer. This information should be filled out and kept on record.

Model Number: _____

Date Purchased: _____

Serial Number: _____

Dealer Name and Phone Number:

RPM : _____

Head Pulley Dia.: _____

Discharge Height: _____

Horsepower: _____

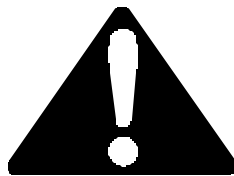
Spout Dia : _____

of Spouts : _____

SAFETY GUIDELINES

This manual contains information that is important for you, the owner/operator, to know and understand. This information relates to protecting **personal safety** and **preventing equipment problems**. It is the responsibility of the owner/operator to inform anyone operating or working in the area of this equipment of these safety guidelines. To help you recognize this information, we use the symbols that are defined below.

Please read the manual and pay attention to these sections. Failure to read this manual and its safety instructions is a misuse of the equipment and may lead to serious injury or death.



This is the safety alert symbol. It is used to alert you to potential personal injury hazards. Obey all safety messages that follow this symbol to avoid possible injury or death.



DANGER indicates an imminently hazardous situation which, if not avoided, will result in death or serious injury.



WARNING indicates a potentially hazardous situation which, if not avoided, could result in death or serious injury.



CAUTION indicates a potentially hazardous situation which, if not avoided, may result in minor or moderate injury.

CAUTION

CAUTION used without the safety alert symbol indicates a potentially hazardous situation which, if not avoided, may result in property damage.

NOTE

NOTE indicates information about the equipment that you should pay special attention to.

FOLLOW SAFETY INSTRUCTIONS

Carefully read all safety messages in this manual and on your machine safety signs. Keep signs in good condition. Replace missing or damaged safety signs. Be sure new equipment components and repair parts include the current safety signs. Replacement safety signs are available from the manufacturer.

Learn how to operate the machine and how to use controls properly. Do not let anyone operate without instruction.

Keep your machinery in proper working condition. Unauthorized modifications to the machine may impair the function and/or safety and affect machine life.

If you do not understand any part of this manual and need assistance, contact your dealer.

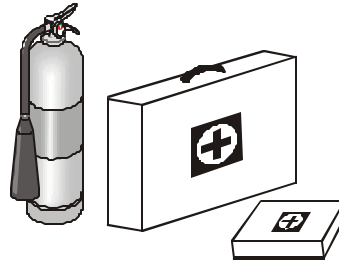


PREPARE FOR EMERGENCIES

Be prepared if fire starts.

Keep a first aid kit and fire extinguisher handy.

Keep emergency numbers for doctors, ambulance service, hospital, and fire department near your telephone.



WEAR PROTECTIVE CLOTHING

Wear close fitting clothing and safety equipment appropriate to the job.

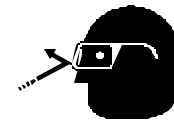
Safety glasses should be worn at all times to protect eyes from debris.

Wear gloves to protect your hands from sharp edges on plastic or steel parts.

A respirator may be needed to help prevent breathing potentially toxic fumes and dust.

Wear hard hat and steel toe boots to help protect your head and toes from falling debris.

Eye Protection



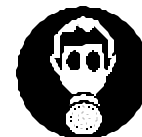
Gloves



Steel Toe Boots



Respirator



Hard Hat

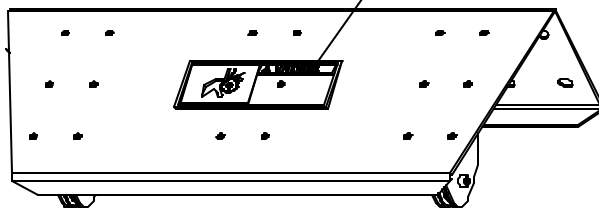


DECAL LOCATIONS

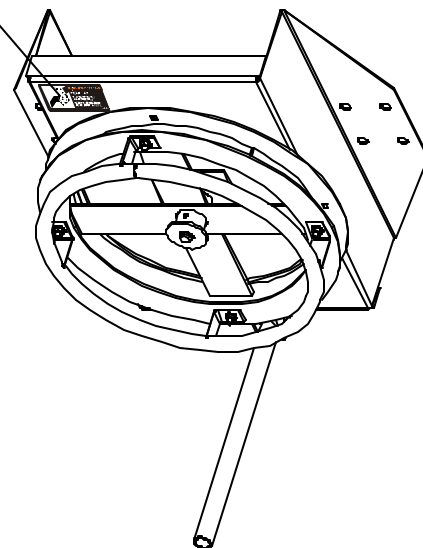
Install safety decals on components as shown. Always insure that safety decals are in place and in good condition. If a decal cannot be easily read for any reason or has been painted over, replace it immediately. Contact your dealer or the manufacturer to order a replacement decal free of charge.



DC-857



DC-857
 Located on the Cable Guide Assembly (GSB-0007).



DC-857
 Located on the Cable Wheel Assembly (GSB-0045).

Introduction

Thank you for choosing this product. It is designed to give excellent performance and service for many years.

This manual covers general information on the distributor cable control installation. Due to the wide variety of field conditions we cannot cover every aspect of installation. We offer one method for installing equipment but, rely on your qualified contractor's experience and techniques. Some conditions and surroundings do not allow certain practices during the installation of equipment. We can not be responsible for the installation of the distributor and accessories. We encourage anyone installing, or maintaining this equipment to thoroughly read this manual before proceeding.

The company is the vendor of the distributor and certain of its optional accessories only, and does not assume responsibility for the installation. The installation recommendations contained within this manual are for consideration only.

READ THIS MANUAL carefully to learn how to properly use and install this equipment. Failure to do so could result in personal injury or equipment damage.

INSPECT the shipment immediately upon arrival. The Customer is responsible for ensuring that all quantities are correct. Report any damage or shortages by recording a detailed description on the Bill of Lading to justify the Customer's claim from the Transport Firm. Our responsibility for damage to the equipment ends with acceptance by the delivering carrier. Save all paperwork and documentation furnished with any of the equipment.

THIS MANUAL SHOULD BE CONSIDERED a permanent part of your equipment and should be easily accessible when needed.

A WARRANTY is provided as part of the company's support program for customers who use and maintain their equipment as described in the manual. The warranty is explained on the warranty page located on the inside back cover of this manual.

This warranty provides you the assurance that the company will back its products where defects appear within the warranty period. In some circumstances, the company also provides field improvements, often without charge to the customer, even if the product is out of warranty. Should the equipment be abused, or modified to change its performance beyond the factory specifications, the warranty will become void and field improvements may be denied.

NOTE

All information, illustrations, photos, and specifications in this manual are based on the latest information available at the time of publication. The right is reserved to make changes at any time without notice.

PART IDENTIFICATION

NOTE

Cable is not supplied with cable control. 3/16" aircraft cable is recommended.

6", 8", 10" DISTRIBUTORS		
GSB-DCG		
PART #	DESCRIPTION	QTY
GSB-0006	SPACER, BOTTOM GUIDE	1
GSB-0007	CABLE GUIDE ASSEMBLY, TOP	1
GSB-0015	CABLE WHEEL WELDMENT, TOP	1
GSB-0049	CABLE WHEEL ASSEMBLY, BOTTOM	1
GSB-0030	CONTROL HANDLE	1
GSB-0031	CONTROL HANDLE BRACKETS	2
GSB-0037	COUPLER-CONNECTOR WELDMENT	1
GSB-0045	CONNECTOR-PULLEY ASSEMBLY	1
GSB-DCG-HDW	HARDWARE, DIST. CABLE CONTROL	1

12" & 14" DISTRIBUTORS		
GSB-DCG-1		
PART #	DESCRIPTION	QTY
GSB-0006	SPACER, BOTTOM GUIDE	1
GSB-0007	CABLE GUIDE ASSEMBLY, TOP	1
GSB-0059	CABLE WHEEL WELDMENT, TOP	1
GSB-0049	CABLE WHEEL ASSEMBLY, BOTTOM	1
GSB-0030	CONTROL HANDLE	1
GSB-0031	CONTROL HANDLE BRACKETS	2
GSB-0052	COUPLER-CONNECTOR WELDMENT	1
GSB-0045	CONNECTOR-PULLEY ASSEMBLY	1
GSB-DCG-HDW	HARDWARE, DIST. CABLE CONTROL	1

DISTRIBUTOR HARDWARE		
GSB-DCG-HDW		
PART #	DESCRIPTION	QTY
S-8762	CLAMP 3/16" CABLE	8
S-1146	BOLT HHCS 5/16-18X1 ZN GR2	6
S-3611	NUT FLANGEWZ 5/16" ZN	6
S-3729	NUT HEX 1/2"-13 ZN YDP GR5	8
S-7329	BOLT HHCS 5/16-18X2 ZN GR2	1
S-7382	NUT NYLOCK 5/16-18 ZN GR5	1
S-8268	BOLT HHCS 1/2-13X2 ZN GR8	8

10" BUCKET ELEVATOR		
GSB-10DCG		
PART #	DESCRIPTION	QTY
GSB-10174	CLAMP BAND	4

16" - 36" BUCKET ELEVATOR		
1636 DCG		
PART #	DESCRIPTION	QTY
DSP16002	CLAMP BAND	4
DSP16005	CLAMP ROD WELDMENT	2

Installation of Cable Wheel & Coupler Connector

Once the distributor has been installed the installation of the cable controls can begin. The first piece to install is the cable wheel (GSB-0015/GSB-0059). This cable wheel mounts to the control pipe coming from the bottom of the distributor. This cable wheel needs to be placed on the pipe far enough not to interfere with the threads on the end of the distributor control pipe. (See Figure 1) Once the cable wheel is in the desired location, tighten the two 3/8" set screws.

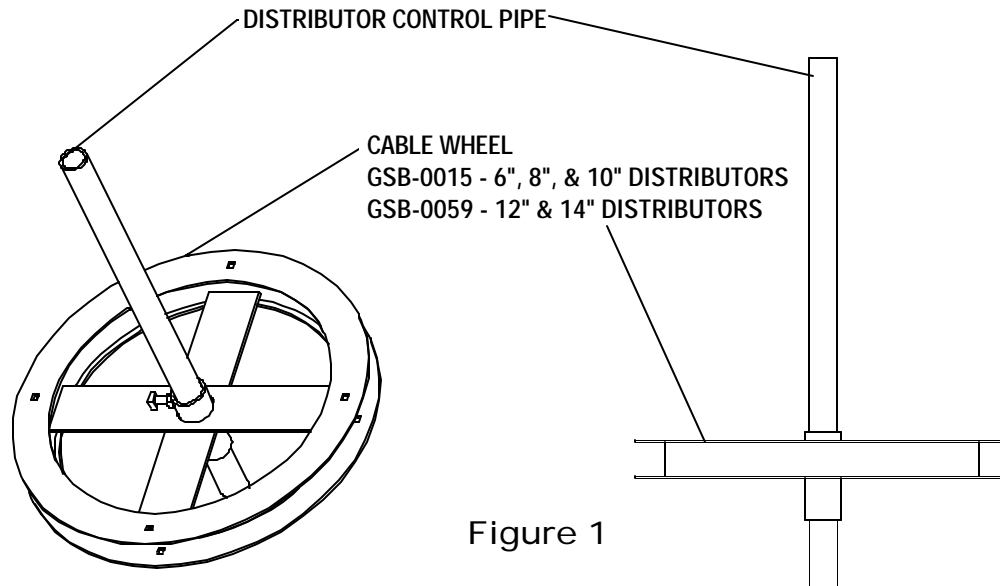


Figure 1

Once the top cable wheel has been installed the next piece to assemble is the coupler-connector weldment (GSB-0037/GSB-0052). This piece threads onto the threads of the distributor control pipe as shown in Figure 2 below. Make sure the coupler-connector weldment is secured to the distributor control pipe.

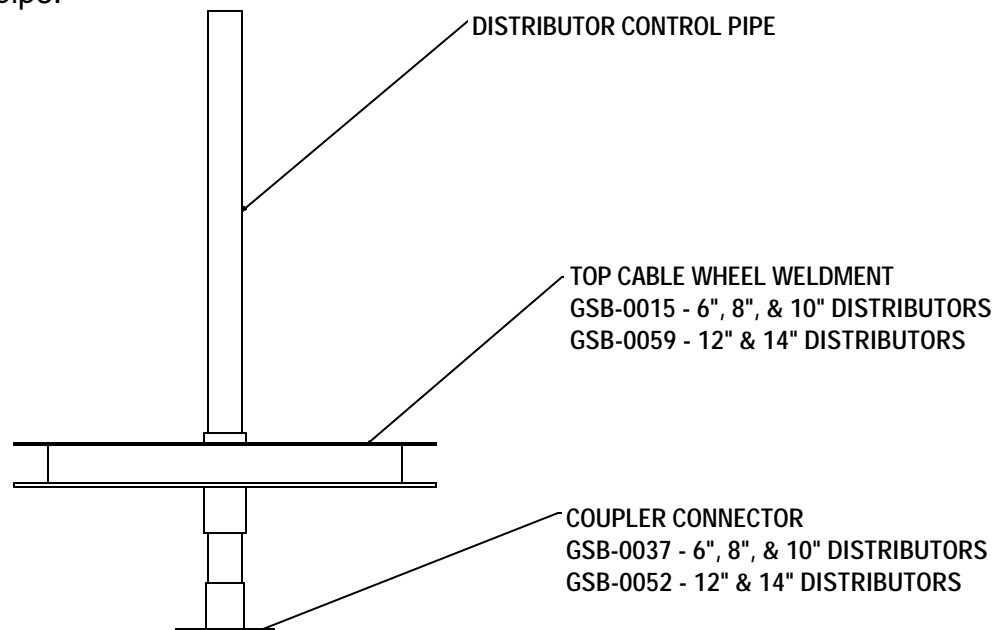


Figure 2

Connector Pulley Assembly

The next piece to install is the connector-pulley assembly (GSB-0045). This piece mounts to the coupler-connector weldment (GSB-0037/GSB-0052) as shown in Figure 3 below. These are fastened together using (2) 5/16" x 1" bolts and whiz nuts, supplied in the hardware package (GSB-DCG-HDW).

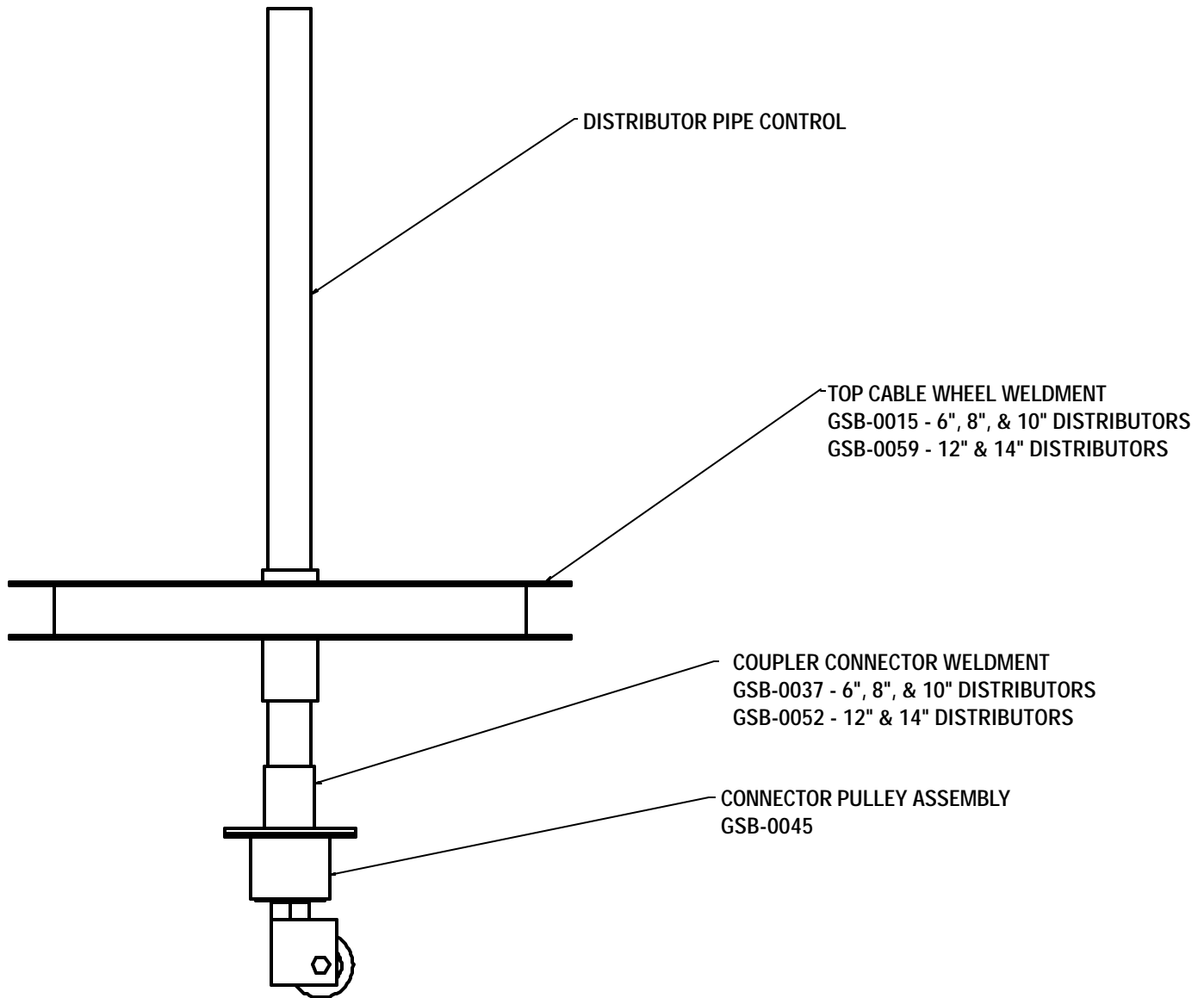


Figure 3

Cable Guide Assembly

The next piece to install is the upper cable guide assembly (GSB-0007). The cable guide assembly is installed on the trunking. The location on the trunking is determined by the height of the cable wheel (GSB-0015/GSB-0059). The cable must run in-line from the cable wheel to the sheaves in the cable guide assembly. This location is shown in Figure 4 below. For cable installation see page 18.

NOTE Cable is not supplied with cable control. The company recommends 3/16" aircraft cable.

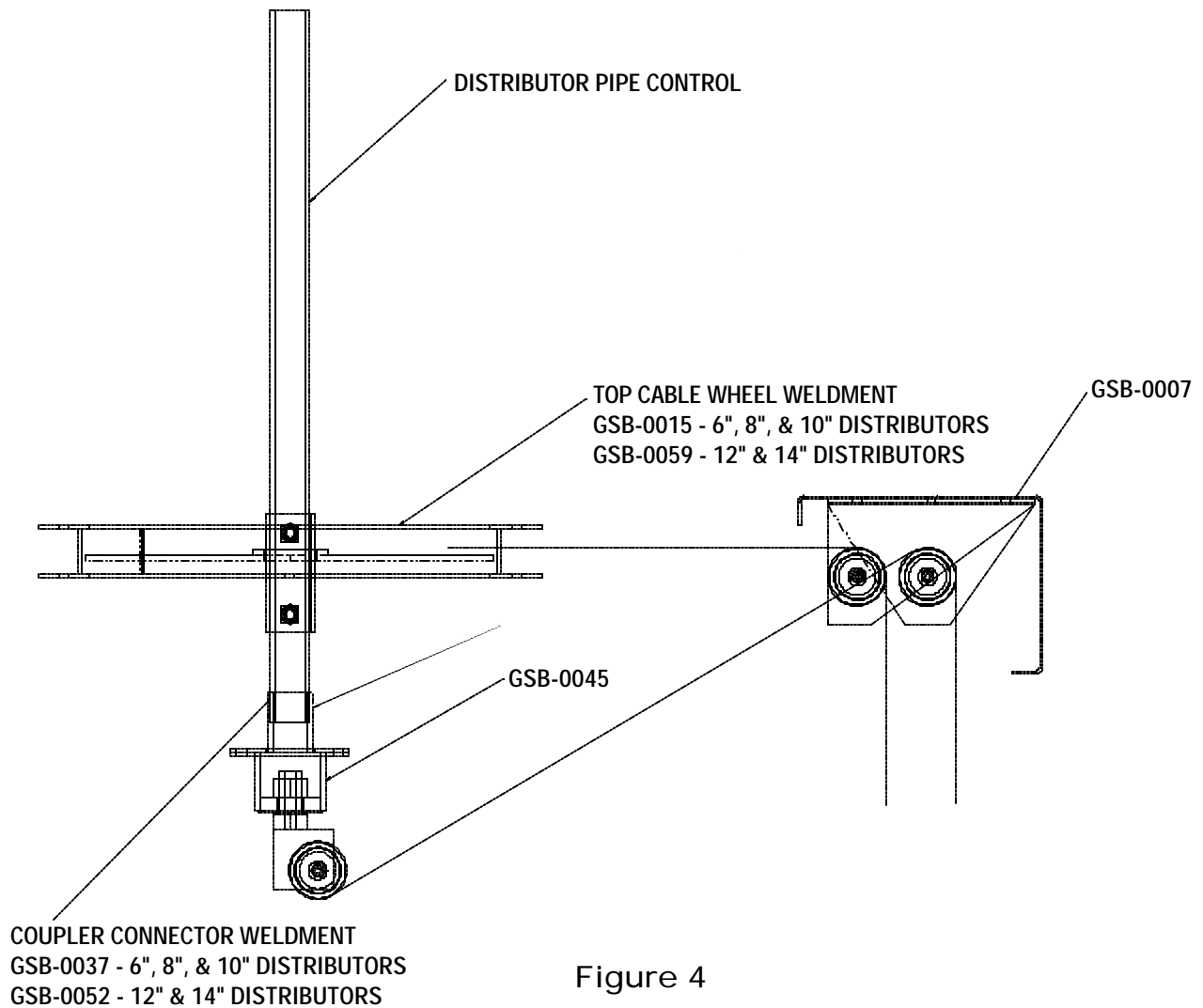


Figure 4

Upper Cable Guide Assembly

Once the location of the upper cable guide assembly is determined it must be fastened to the trunking. The assembly of the clamp band and upper cable guide assembly (GSB-0007) is shown in the Figures 5 & 6 below. The 1/2" x 2" bolts and nuts that fasten the clamp bands to the upper cable guide assembly are provide in the hardware package (GSB-DCG-HDW). These clamp bands vary depending on what size leg you have. Refer to the Tables below to see what clamp bands should be used.

NOTE USE CAUTION WHEN TIGHTENING HARDWARE, DO NOT OVERTIGHTEN AND COLLAPSE TRUNKING.

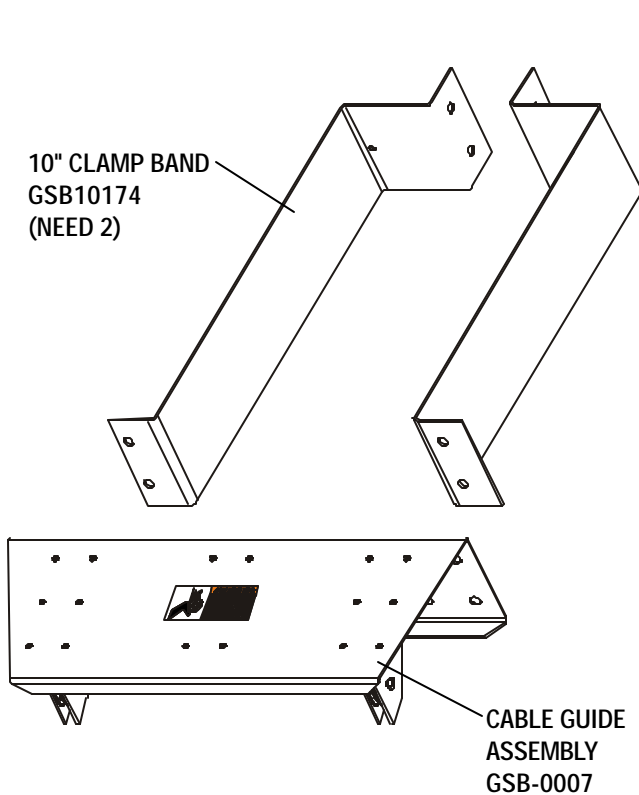


Figure 5
Trunking removed for clarity.

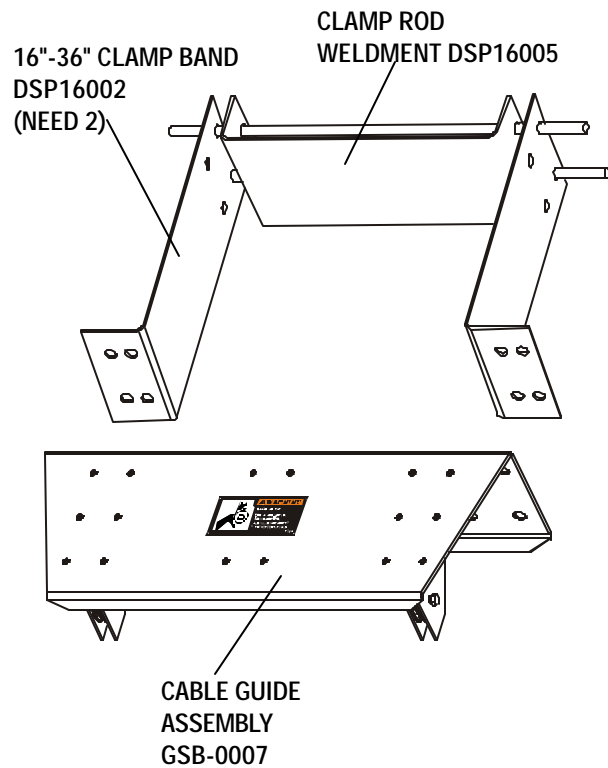


Figure 6
Trunking removed for clarity.

Pulley Dia.	Clamp Band	QTY
10"	GSB10174	2

16", 24", 30" & 36" Pulleys	Part Number	QTY
Clamp Band	DSP16002	2
Clamp w/ Rod Weldment	DSP16005	1

Control Handle Installation

Once the upper assembly has been installed, the control handle needs to be assembled to the lower cable wheel assembly. There are two brackets (GSB-0031) that mount to the bottom of the lower cable wheel assembly (GSB-0049). These brackets are fastened with 5/16" x 1" bolts and whiz nuts. The control handle (GSB-0030) is then mounted between the brackets using the second hole in the control handle and the end hole on the brackets. This is fastened using 5/16" x 2" bolt and lock nut. The hardware required is located in (GSB-DCG-HDW). This assembly is shown in Figure 7 below.

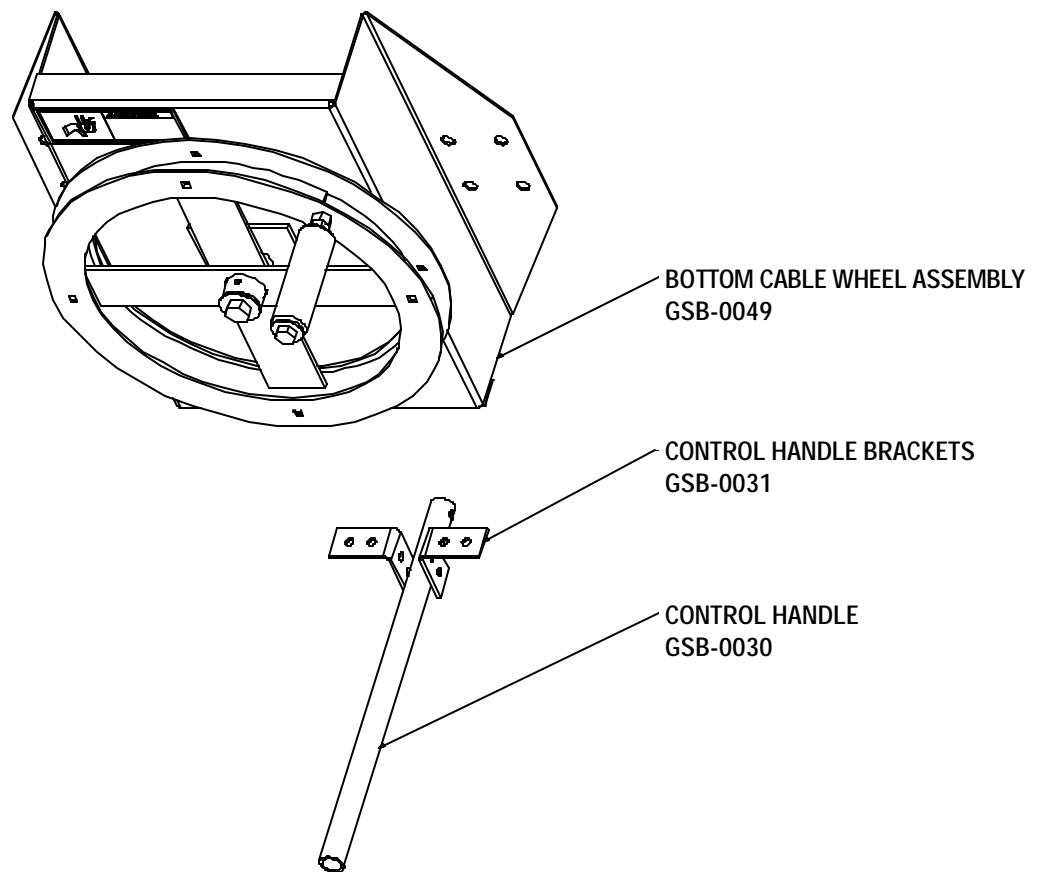


Figure 7

Lower Cable Wheel Assembly

Once the control handle has been assembled the lower cable wheel can be installed. The location of the lower cable wheel assembly (GSB-0049) is decided by where the operator will be positioned. Once the desired height has been determined for the lower cable wheel, it must be fastened to the trunking. The assembly of the lower cable wheel and clamp bands are shown in Figures 8 & 9 below. The 1/2" x 2" bolts and nuts to fasten clamp bands to the lower cable wheel are provided in the hardware package (GSB-DCG-HDW). These clamp bands vary depending on what size leg you have. Refer to tables on page 14 to see what clamp bands should be used.

NOTE

USE CAUTION WHEN TIGHTENING HARDWARE, DO NOT OVERTIGHTEN AND COLLAPSE TRUNKING.

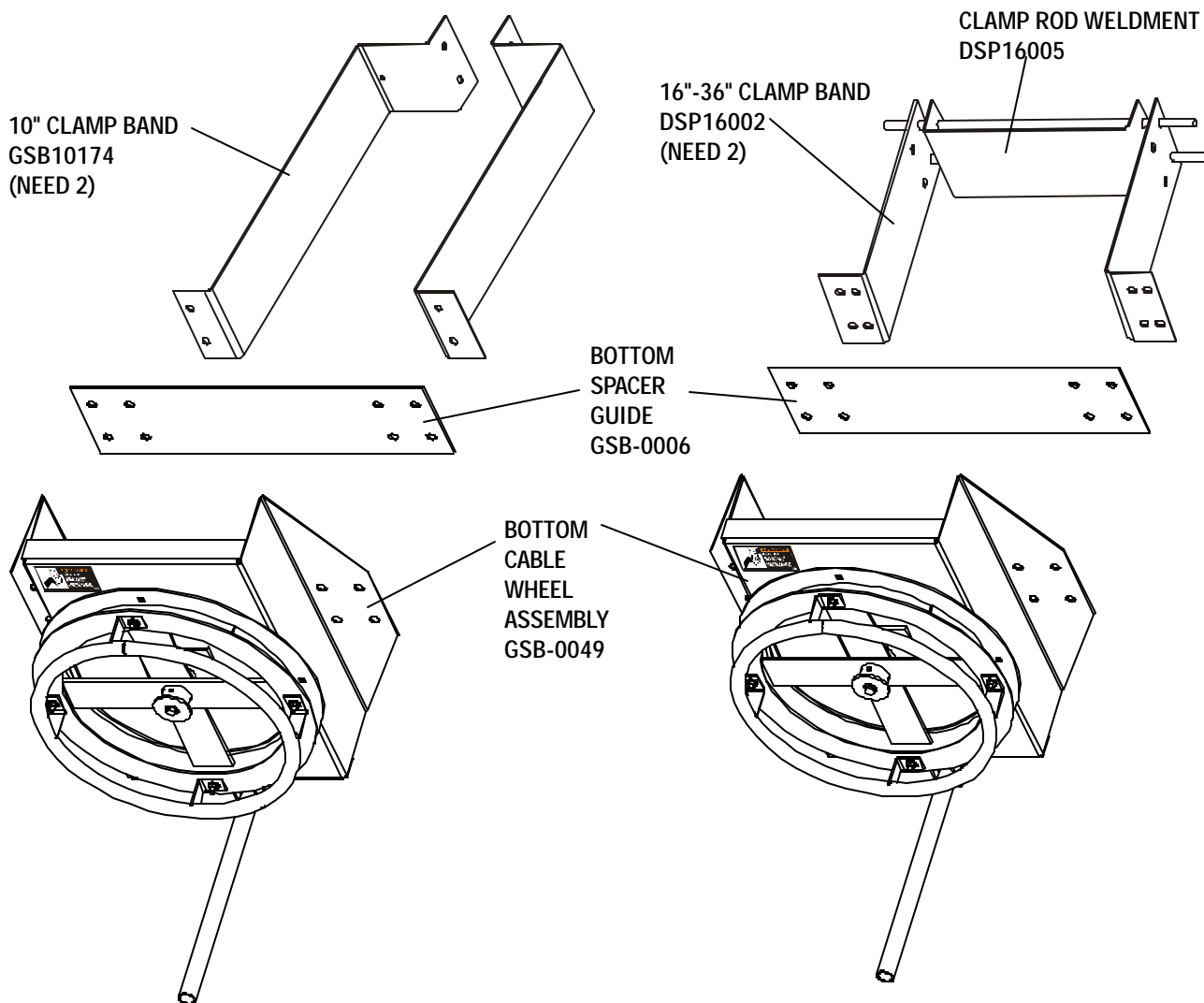


Figure 8
Trunking removed for clarity.

Figure 9
Trunking removed for clarity.

Cable Guides

To help keep the cable in-line from the upper assembly to lower assembly intermediate cable guides need to be installed. The quantity of the intermediate cable guides is determined by the height of the leg. The company recommends that they be installed every 20 feet. These intermediate cable guides (GSB-0022) are fastened at the trunking joints using the same hardware as the joint. The assembly below shows how the intermediate cable guides are located on the trunk joints. For cable installation see page 18.

NOTE

Cable is not supplied with cable control. The company recommends 3/16" aircraft cable.

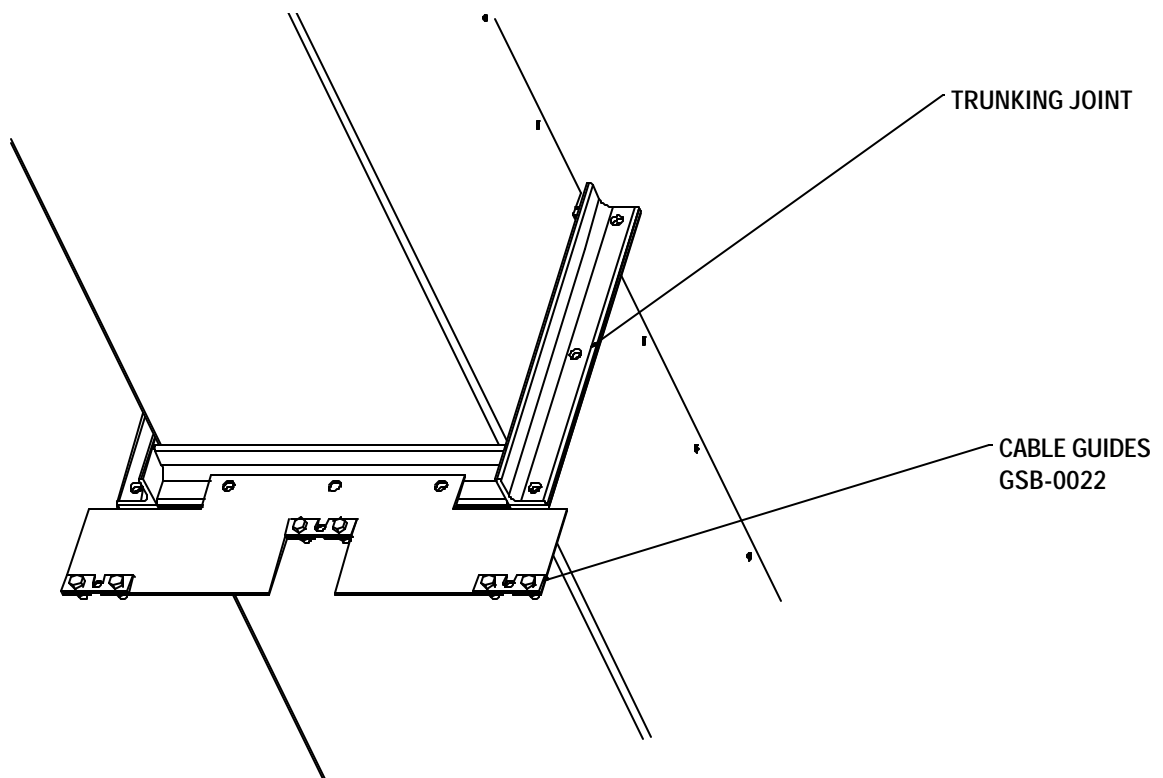


Figure 10

Cable Installation

There is more than one way to install the cable for the cable control, we offer one method for installation. Rely on your qualified contractor's experience and techniques.

You will need two pieces of cable. One piece should be long enough to reach from distributor to the lower control wheel assembly. Make sure there is enough extra to tie off both ends of cable. The other piece will have to be long enough to go from distributor to lower cable wheel assembly and back up to distributor. Make sure there is enough extra to wrap around the cable wheels approximately 7 times. The shorter piece will be used for lifting the spout inside distributor and the longer piece will be used to turn the spout.

With shorter piece of cable, take it and run through center pulley in upper cable guide assembly (Figure 5 & 6). Then run cable over to pulley (GSB-0045) on control pipe of distributor and continuing feeding cable up through control pipe in distributor (Figure 4). Make sure cable is fed through all pulleys that are inside distributor. Attach this end to the sliding mechanism inside distributor by looping through eye in slide mechanism. Attach cable back to itself using cable clamp. Once this end is attached, run the cable down the side of the leg to the lower cable wheel assembly, (Figure 8 & 9), running through cable guides when necessary (Figure 10). Attach this end to the control handle (GSB-0030) on the lower cable wheel assembly by looping through end hole and attach cable back to itself using cable clamp (Figure 8 & 9). The control handle will be pulled up to let spout turn inside distributor. Make sure when cable is clamped together that control handle still has enough travel upward to allow the spout to turn.

Take the longer piece of cable and mark the center. Start at the upper cable wheel on the control pipe of the distributor (Figure 3). Start at the center of the cable and wrap it around the cable wheel a minimum of three times. Take the ends of the cable and run them over to the upper cable guide assembly (Figure 4). Feed the ends through the two outside pulleys. Then run both cables down the leg to the lower cable wheel assembly (Figure 8 & 9), running through cable guides as necessary (Figure 8). Take one end of cable and wrap around cable wheel a minimum of two times. Loop through one of the square holes inside of cable wheel and attach back to itself with cable clamp. Take the other end and wrap a minimum of two times. Loop end through one of the square holes inside on cable wheel, on opposite side as other cable end, and attach back to itself with cable clamp.

NOTE	Cable is not supplied with cable control. The company recommends 3/16" aircraft cable.
-------------	---

THE COMPANY AS MANUFACTURER WARRANTS ALL PRODUCTS MANUFACTURED BY THE COMPANY. TO BE FREE OF DEFECTS IN MATERIAL AND WORKMANSHIP UNDER NORMAL USAGE AND CONDITIONS FOR A PERIOD OF TWELVE MONTHS AFTER RETAIL SALE TO THE ORIGINAL END USER OF SUCH PRODUCTS. THE COMPANY'S ONLY OBLIGATION IS, AND PURCHASER'S SOLE REMEDY SHALL BE FOR THE COMPANY, TO REPAIR OR REPLACE, AT IT'S OPTION AND EXPENSE, PRODUCTS THAT, IN IT'S SOLE JUDGMENT, CONTAIN A MATERIAL DEFECT DUE TO MATERIALS OR WORKMANSHIP. ALL DELIVERY AND SHIPMENT CHARGES TO AND FROM THE COMPANY'S FACTORY WILL BE PURCHASER'S RESPONSIBILITY. EXPENSES INCURRED BY OR ON BEHALF OF THE PURCHASER WITHOUT PRIOR WRITTEN AUTHORIZATION FROM AN AUTHORIZED EMPLOYEE OF THE COMPANY SHALL BE THE SOLE RESPONSIBILITY OF THE PURCHASER.

EXCEPT FOR THE ABOVE STATED EXPRESS LIMITED WARRANTIES, THE COMPANY MAKES NO WARRANTY OF ANY KIND, EXPRESSED OR IMPLIED, INCLUDING, WITHOUT LIMITATION, WARRANTIES OF MERCHANTABILITY OR FITNESS FOR A PARTICULAR PURPOSE OR USE IN CONNECTION WITH (i) PRODUCT MANUFACTURED OR SOLD BY THE COMPANY OR (ii) ANY ADVICE, INSTRUCTION, RECOMMENDATION OR SUGGESTION PROVIDED BY AN AGENT, REPRESENTATIVE OR EMPLOYEE OF THE COMPANY REGARDING OR RELATED TO THE CONFIGURATION, INSTALLATION, LAYOUT, SUITABILITY FOR A PARTICULAR PURPOSE, OR DESIGN OF SUCH PRODUCT OR PRODUCTS.

IN NO EVENT SHALL THE COMPANY BE LIABLE FOR ANY DIRECT, INDIRECT, INCIDENTAL OR CONSEQUENTIAL DAMAGES, INCLUDING, WITHOUT LIMITATION, LOSS OF ANTICIPATED PROFITS OR BENEFITS. PURCHASER'S SOLE AND EXCLUSIVE REMEDY SHALL BE LIMITED TO THAT STATED ABOVE, WHICH SHALL NOT EXCEED THE AMOUNT PAID FOR THE PRODUCT PURCHASED. THIS WARRANTY IS NOT TRANSFERABLE AND APPLIES ONLY TO THE ORIGINAL PURCHASER. THE COMPANY SHALL HAVE NO OBLIGATION OR RESPONSIBILITY FOR ANY REPRESENTATIVE OR WARRANTIES MADE BY OR ON BEHALF OF ANY DEALER, AGENT OR DISTRIBUTOR OF THE COMPANY.

THE COMPANY ASSUMES NO RESPONSIBILITY FOR FIELD MODIFICATIONS OR ERECTION DEFECTS WHICH CREATE STRUCTURAL OR STORAGE QUALITY PROBLEMS. MODIFICATIONS TO THE PRODUCT NOT SPECIFICALLY COVERED BY THE CONTENTS OF THIS MANUAL WILL NULLIFY ANY PRODUCT WARRANTY THAT MIGHT HAVE BEEN OTHERWISE AVAILABLE.

THE FOREGOING WARRANTY SHALL NOT COVER PRODUCTS OR PARTS WHICH HAVE BEEN DAMAGED BY NEGLIGENT USE, MISUSE, ALTERATION OR ACCIDENT. THIS WARRANTY COVERS ONLY PRODUCTS MANUFACTURED BY THE COMPANY. THIS WARRANTY IS EXCLUSIVE AND IN LIEU OF ALL OTHER WARRANTIES EXPRESS OR IMPLIED. THE COMPANY RESERVES THE RIGHT TO MAKE DESIGN OR SPECIFICATION CHANGES AT ANY TIME.

PRIOR TO INSTALLATION, PURCHASER HAS THE RESPONSIBILITY TO RESEARCH AND COMPLY WITH ALL FEDERAL, STATE AND LOCAL CODES WHICH MAY APPLY TO THE LOCATION AND INSTALLATION.

THE G S I G R O U P



1004 E. Illinois St., Box 20
Assumption, IL 62510-0020
Ph: 217-226-4421

Revision: 04-09-03