



## Installing Roof Stairs

**NOTE:** See [Pages 2 and 3](#) for Non-40 Series Peak Walkaround and See [Pages 4 and 5](#) for 40 Series Peak Walkaround.

1. Use the holes pre-punched in the siderails to assemble the steps between the right and left siderails. Use four (4) 5/16" x 3/4" bolts per step.
2. Connect the upper stair section siderail to the entry posts using 5/16" x 3/4" bolts.
3. Attach the next stair section to the lower end of the upper stair section using four (4) 5/16" x 3/4" bolts. Using the same bolts, install the left and right posts at this time as well.
4. Attach post extensions to handrail post using 5/16" x 3/4" bolts. Do not fully tighten at this time. They will be adjusted later.
5. Repeat [Steps 3](#) and [4](#) until all sections are installed.
6. Starting at the bottom of the stairs, attach handrails to the handrail posts. Be sure the tapered end of the handrail is pointing up. Slide the next handrail over the tapered end of the lower handrail and secure it with 1/4" x 1" self-drilling screws.

**NOTE:** The rails should overlap at least two inches (2") and the railing posts should be plumb.

7. After stair assembly is aligned and tightened, adjust and secure post extensions to the roof using silicone and 1/4" x 1" self-drilling screws. (**NOTE:** Keep siderails as close to the roof as possible at the eave. Silicone not supplied by GSI.)  
**Bin bolt option:** If stairs are installed while on the ground, bin bolts can be used for a better seal. Align and drill holes through roof. Insert bolts through roof posts and post extension with bolt heads positioned on the bottom side of the roof panel. Fasten in place with nut on top side.
8. Fasten the post braces as close as possible to the top end of the post extensions using 5/16" x 3/4" bolts. Attach post braces to the roof using 1/4" x 3/4" self-drilling screws.



Non-40 Series Peak Walkarounds

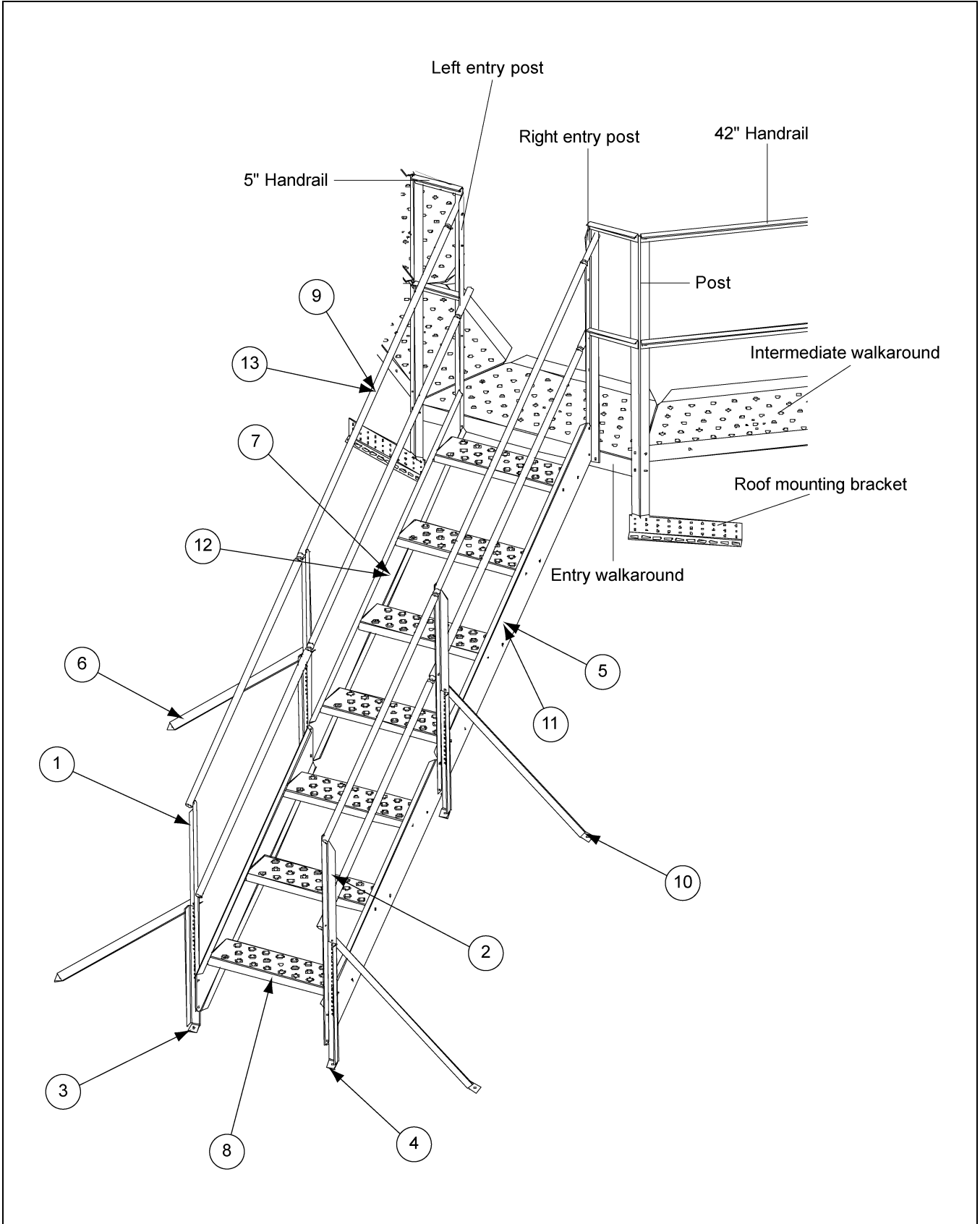


Figure 1 Non-40 Series Peak Walkarounds

## Non-40 Series Peak Walkarounds Part List for STR1038 and STR1039

Ref #	Part #	Description	Qty	
			For 4'	For 5' 4"
1	STR0028	40" Left Roof Stair Post	1	1
2	STR0029	40" Right Roof Stair Post	1	1
3	STR0030	20" Left Roof Stair Post	1	1
4	STR0031	20" Right Roof Stair Post	1	1
5	STR0032	51-1/2" Right Siderail (3 Steps)	1	-
6	STR0033	35" Left Post Brace for Roof Stairs	1	1
7	STR0034	51-1/2" Left Siderail (3 Steps)	1	-
8	STR0035	Roof Stair Step	3	4
9	STR0036	53-1/2" Round Handrail	4	-
10	STR0038	35" Right Post Brace for Roof Stairs	1	1
11	STR0039	67-1/2" Right Siderail (4 Steps)	-	1
12	STR0040	67-1/2" Left Siderail (4 Steps)	-	1
13	STR0041	68" Round Handrail	-	4

40 Series Stair and Platform

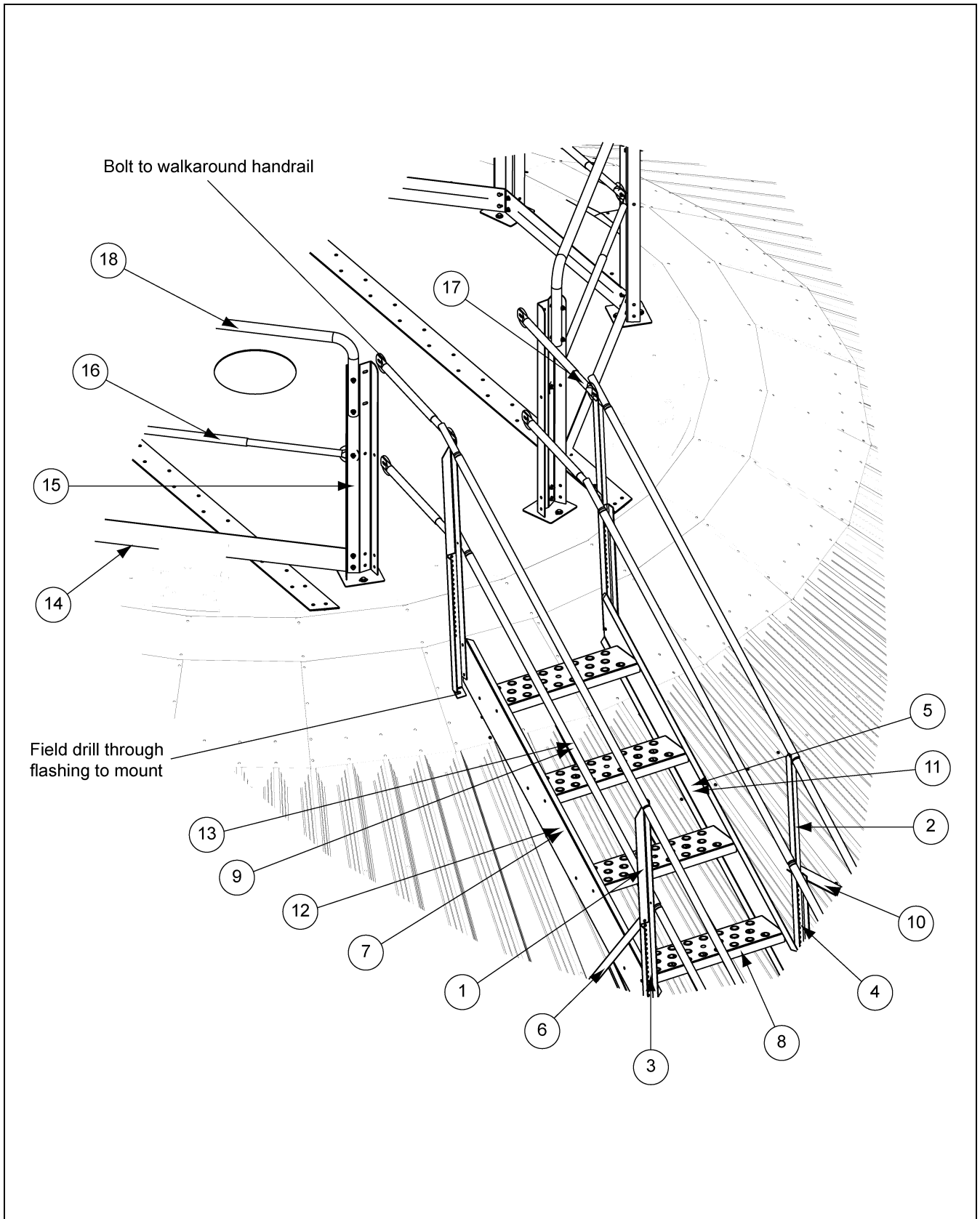


Figure 2 40 Series Peak Walkarounds

## 40 Series Peak Walkarounds Part List for STR1038 and STR1039

Ref #	Part #	Description	Qty	
			For 4'	For 5' 4"
1	STR0028	40" Left Roof Stair Post	1	1
2	STR0029	40" Right Roof Stair Post	1	1
3	STR0030	20" Left Roof Stair Post	1	1
4	STR0031	20" Right Roof Stair Post	1	1
5	STR0032	51-1/2" Right Siderail (3 Steps)	1	-
6	STR0033	35" Left Post Brace for Roof Stairs	1	1
7	STR0034	51-1/2" Left Siderail (3 Steps)	1	-
8	STR0035	Roof Stair Step	3	4
9	STR0036	53-1/2" Round Handrail	4	-
10	STR0038	35" Right Post Brace for Roof Stairs	1	1
11	STR0039	67-1/2" Right Siderail (4 Steps)	-	1
12	STR0040	67-1/2" Left Siderail (4 Steps)	-	1
13	STR0041	68" Round Handrail	-	4
14	STX-0355	40 Series 54', 60' and 135' Bin - 6' Peak Walkaround Kickplate - 37"		
14	STX-0347	40 Series 72'-105' Bin - 10' Peak Walkaround Kickplate - 53"		
15	STX-0351	40 Series 54'-60' Bin - 6' Peak Walkaround Handrail Weldment		
15	STX-0341	40 Series 72'-105' Bin - 10' Peak Walkaround Handrail Weldment		
15	STX-0381	40 Series 135' Bin - 14' Peak Walkaround Handrail Weldment		
16	LDR-4087	Large Intermediate Handrail Winding Stair (Nested and Field Cut to Fit)		
17	LDR-4088	Small Intermediate Handrail Winding Stair (Nested and Field Cut to Fit)		
18	STX-0353	40 Series 54', 60' and 135' Bin - 6' Peak Handrail - 37-1/2"		
18	STX-0343	40 Series 72'-105' Bin - 10' Peak Platform Handrail - 53-1/2"		