



Installing Peak Handrails

- A. Connect the right entry post (STR0003) with beveled end up to the right handrail post (STR0004) using the 5/16" x 3/4" bolts as shown in [Figure 2 and Figure 3](#).
- B. Connect the left entry post (STR0002) with beveled end up to the left handrail post (STR0004) using three (3) 5/16" x 3/4" bolts as shown in [Figure 2 and Figure 3](#).
- C. Locate the entry post assemblies 24" apart, centered on the roof stairs or ladder and attach to the bin roof using a 1/4" x 1" self drilling screw. When using a 10' diameter handrail, locate the entry posts 4' 11" from the center of the bin. If using a 13-1/2" diameter handrail, locate the entry posts 6' 6-3/4" from the center of the bin.
- D. Attach one end of a lower handrail (STR1001) and one end of a brace (STR0005) to one of the handrail post assemblies using a 5/16" x 3/4" bolt. ([See Figure 2 and Figure 3](#).)
- E. To locate where the next handrail post should go, use a chord length of 42" long or the length of a handrail. ([See Figure 1.](#)) (**NOTE:** Radius for a 10' diameter handrail is 4' 11". Radius for a 13-1/2' diameter handrail is 6' 6-3/4". Radius for 7' diameter handrails is 3' 5-5/8".)
- F. Fasten the posts to the bin roof using 1/4" x 1" self drilling screws.
- G. Proceed around the roof using the proper diameter and assemble the remaining posts, upper and lower handrails, and braces.
- H. Plumb each handrail post and fasten the loose end of each brace to the bin roof using 1/4" x 1" self drilling screws.



DO NOT overtighten self drilling screws.

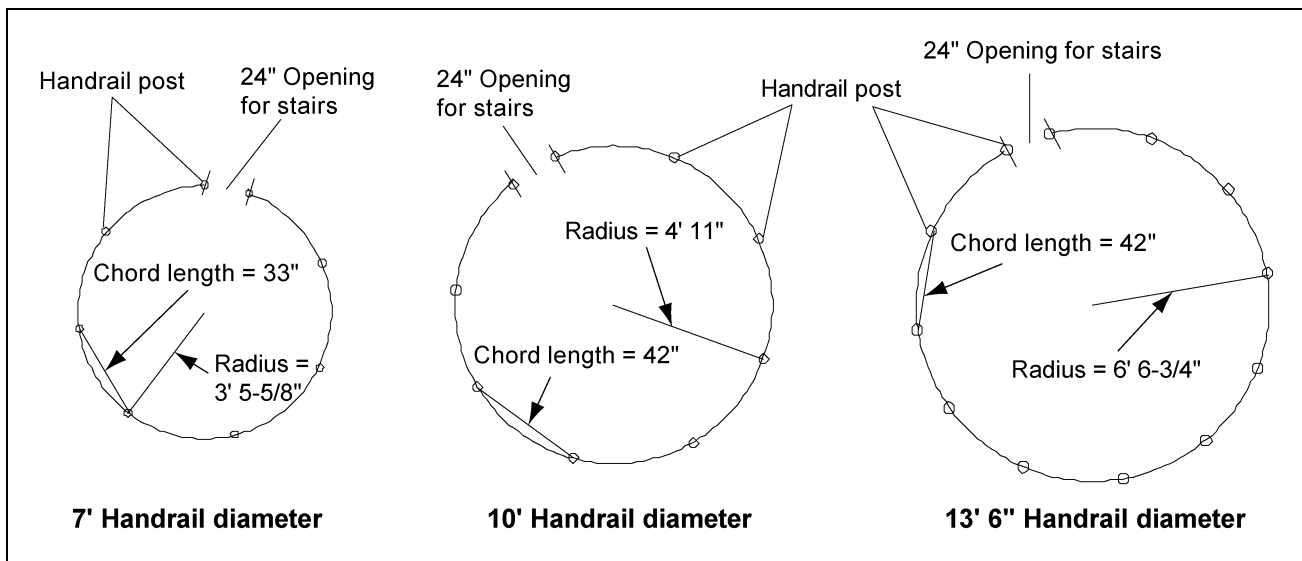
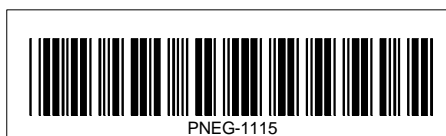


Figure 1



Peak Handrail Assembly

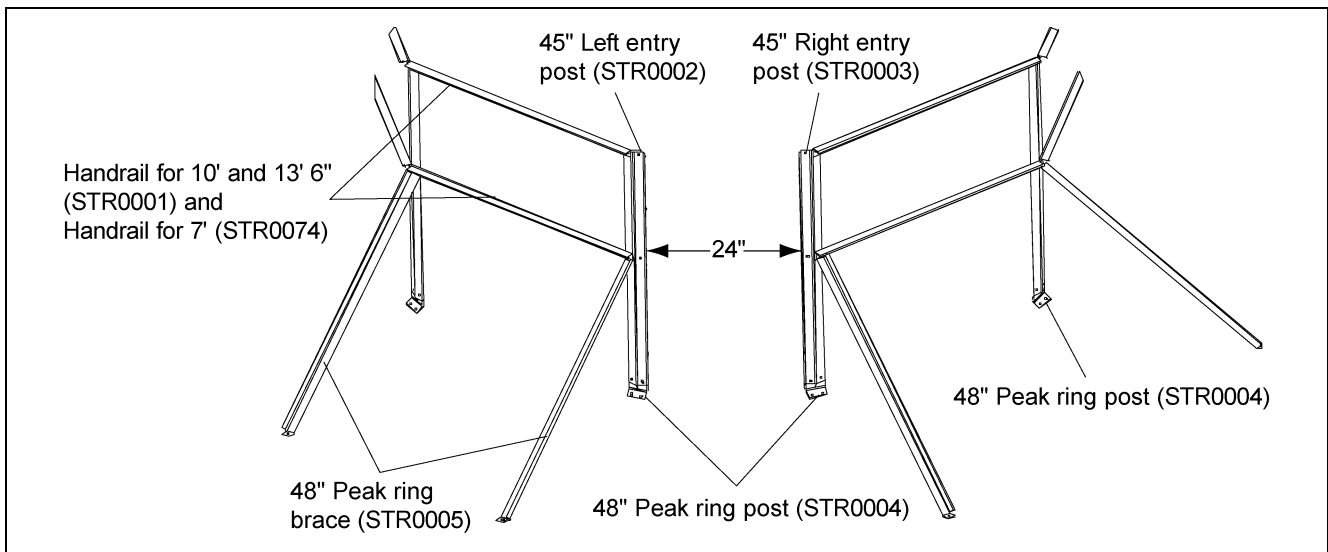


Figure 2

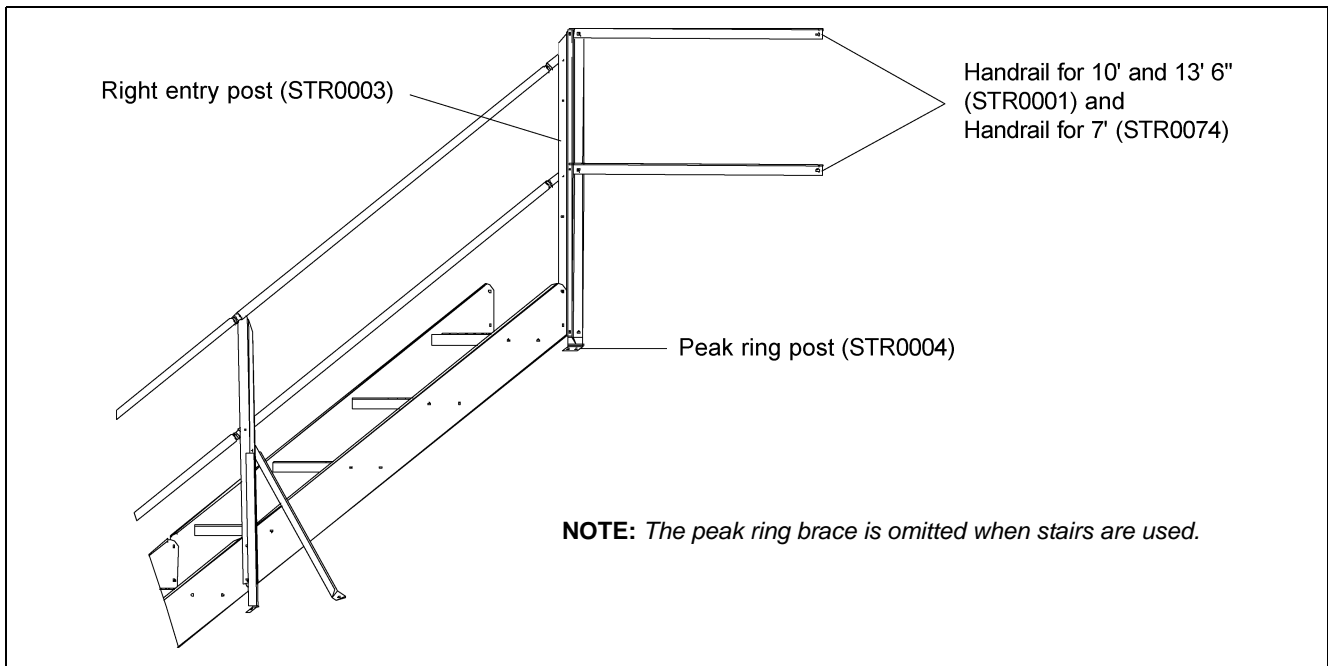


Figure 3

Parts Chart for 7', 10' and 13' 6" Diameter Handrail

| Part # | Description | Qty | | |
|---------|-------------------------|------------------|-------------------|----------------------|
| | | For 7' (STR1013) | For 10' (STR1014) | For 13' 6" (STR1015) |
| STR0001 | 42" Handrail | - | 16 | 22 |
| STR0002 | Entry Post Right 45" | 1 | 1 | 1 |
| STR0003 | Entry Post Left 45" | 1 | 1 | 1 |
| STR0004 | Peak Ring Post 48" | 8 | 9 | 12 |
| STR0005 | Peak Ring Brace 48" | 8 | 9 | 12 |
| STR0006 | 10' Hardware Package | 1 | 1 | - |
| STR0007 | 13' 6" Hardware Package | - | - | 1 |
| STR0074 | 7' Handrail - 33" | 14 | - | - |