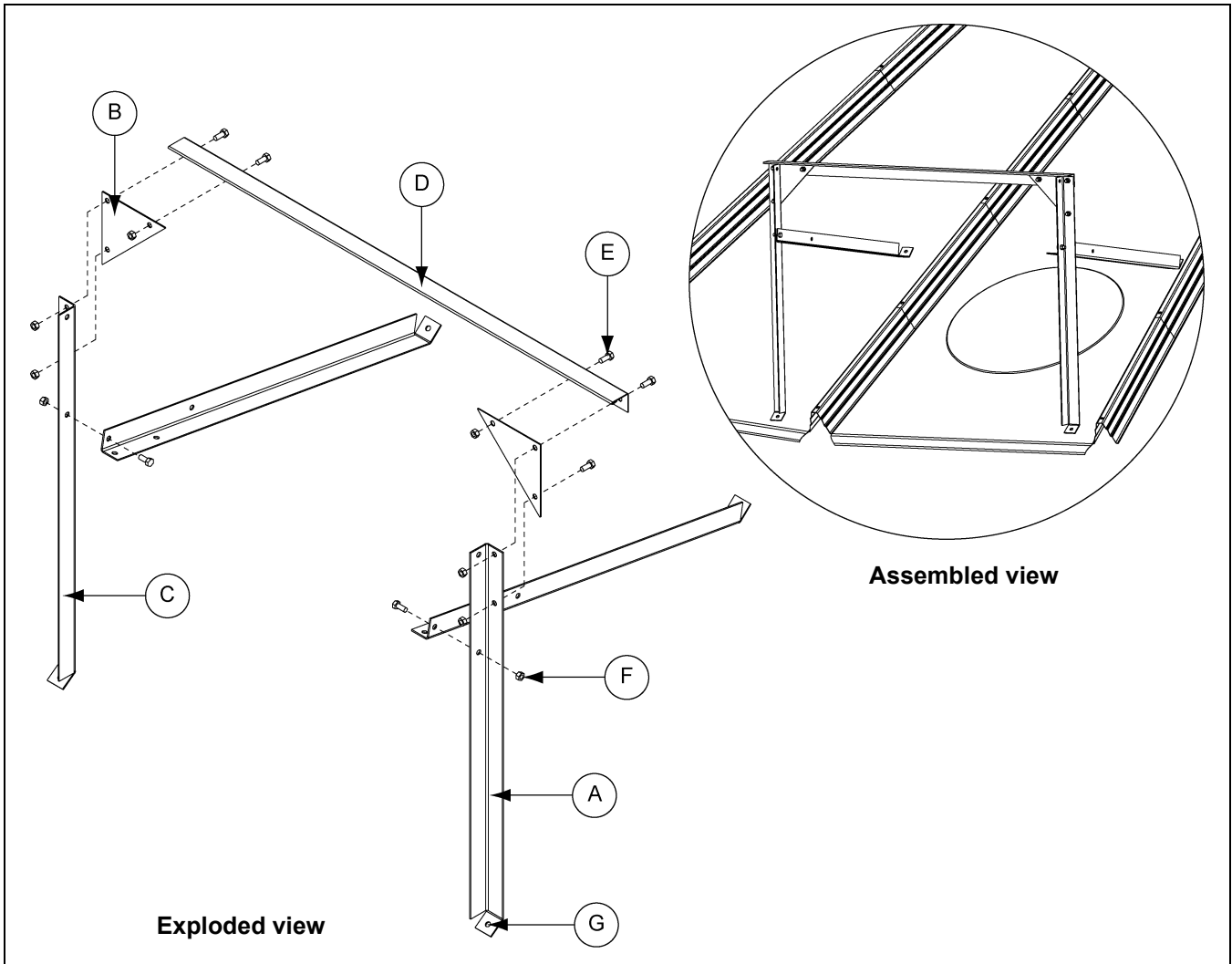




# Instructions Manhole Access Handrail Sidewall Stairs

**NOTE:** Field drill holes in roof panel for mounting. Use 5/16" bin bolts (7) and 5/16" nuts (6) to attach the manhole handrail.



Ref #	Part #	Description	Qty
A	STR0067	30" Right Access Post	2
B	STR0069	Leveler Plate	2
C	STR0068	30" Left Access Post	2
D	STR0066	42" Access Rail	1
E	S-4275	Bolt, HHCS 5/16"-18 x 3/4" ZN Grade 5	8
F	S-7484	Hex Nut 5/16"-18 JS500 Grade 5	12
G	S-7483	Flange Bolt 5/16"-18 x 1-1/4" JS500 Grade 8 or 8.2 Full Thread with Sealing Washer	4

Date: 01-27-14



PNEG-1277

Page 1 of 1

CN-310153