



Instructions Roof Sidewall Stairs Access Platform Assembly Instructions

Assemble roof stairs and peak walk around (optional) as shown in PNEG-1113 and PNEG-1114. Note location of manway in reference to roof stairs. Attach left and right stairs rail extensions to roof stairs. (See detail B [on Page 2.](#)) Attach lower step to rail extensions. Assemble the access platform. (See detail A [on Page 2.](#)) Attach the access platform to the sidewall as close as possible to the roof eave. The roof manway should be accessible from the access platform. Field drill as necessary.

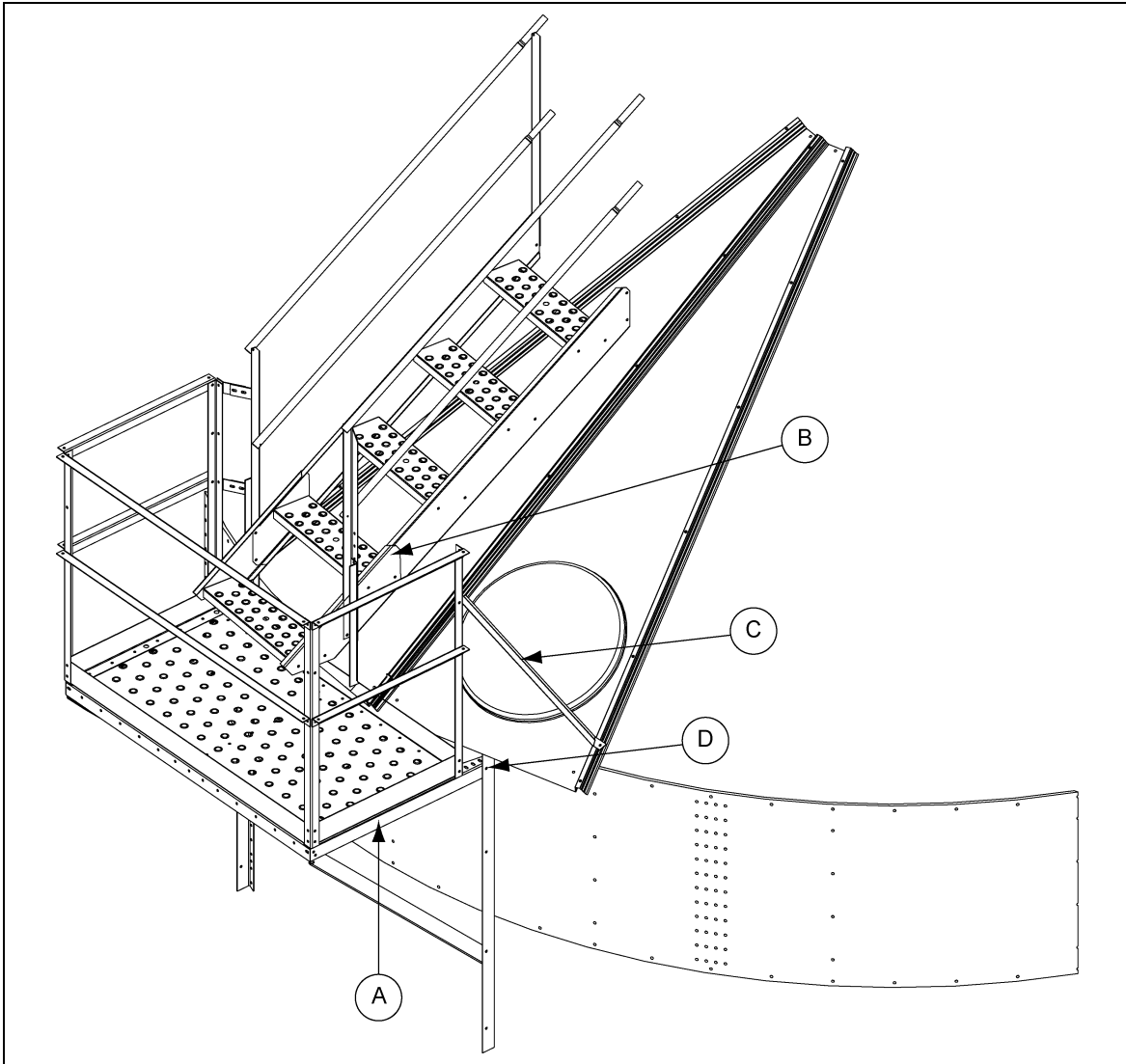


Figure 1

| Ref # | Description |
|-------|---|
| A | Platform Assembly (See Detail A in Figure 2 on Page 2.) |
| B | Roof Stair Extension (See Detail B in Figure 3 on Page 2.) |
| C | Roof Stair Brace (STR0033) |
| D | Place access platform as close to roof eave as possible field drill holes in sidewall if necessary. |



Roof Sidewall Stairs Access Platform Assembly Instructions

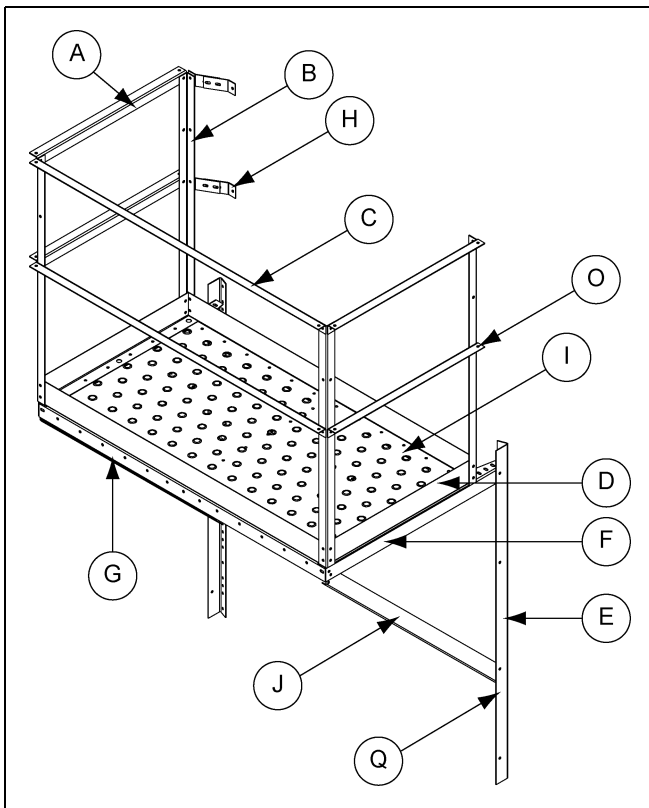


Figure 2 Detail A - Platform Assembly

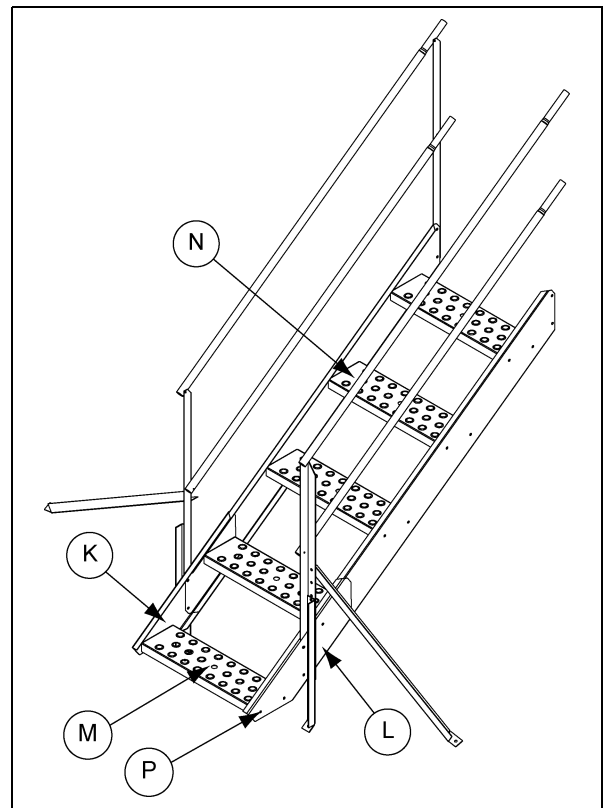


Figure 3 Detail B - Roof Stair Extension

| Ref # | Part # | Description | Qty |
|-------|-----------|--|-----|
| A | TDP-5002 | 30" Handrail | 4 |
| B | LS-371 | Platform Vertical Angle | 4 |
| C | LS-6702 | 58" Handrail | 2 |
| D | TDP-5011 | Platform Toe Plate | 2 |
| E | TDP-5008N | Vertical Support Angle | 2 |
| F | LS-6698 | Platform Support Angle | 2 |
| G | LS-6701 | Platform Floor Brace | 3 |
| H | STR1066 | Eave Platform Connecting Band (Four (4) per eave package.) | |
| I | LS-6703 | Platform Floor | |
| J | LS-6700 | Right Hand Diagonal Angle | |
| K | STR1065 | Left Stair Rail Extension | |
| L | STR1064 | Right Stair Rail Extension | |
| M | STR0035 | Roof Stair Step | |
| N | | Generic Roof 4 Step Stair Assembly | |
| O | | Use 5/16" x 1" bolts for all other platform connections. | |
| P | | Use 5/16" x 1" bolts for all extension rail and lower step connections. | |
| Q | | Use 5/16" x 1-1/4" bin bolts for sidewall to vertical angle connections. | |