

Bin Eave Handrail Guard

**For 2.66" Externally Stiffened
Commercial Grain Bins**

Assembly Instructions

PNEG-1410

Date: 01-13-14

G S I G R O U P

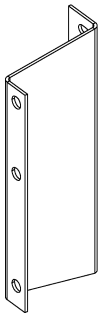


PNEG-1410

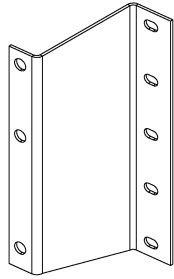
Contents

Chapter 1 Component Details	4
Chapter 2 Assembly Instructions	5
Chapter 3 Installation	6
Seam Bracket Installation	6
Stiffener Bracket and Top Bracket Installation	7
Guard Channel Installation	8
Rail and Kick Plate Installation	9
Chapter 4 Warranty	11

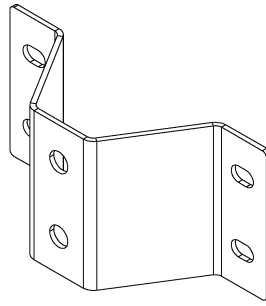
1. Component Details



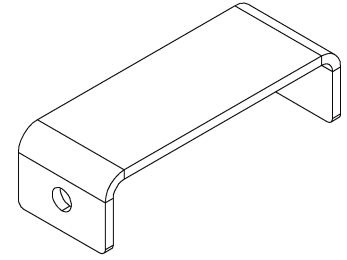
L.H. Seam bracket (LDR-5016)



R.H. Seam bracket (LDR-5017)



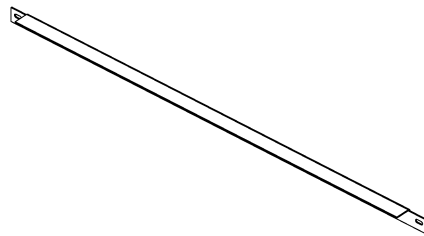
Stiffener bracket (LDR-5015)



Top bracket (LDR-5014)

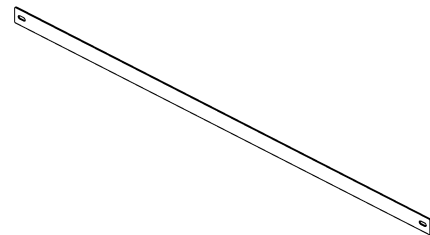


Guard channel (LDR-5018)



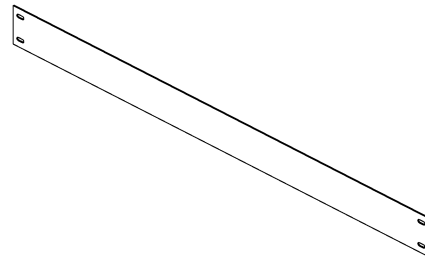
Top Rail

Diameter	Part #
18'-21'	LDR-5076
24'-39'	LDR-5082
42'-60'	LDR-5100
72'-105'	LDR-5115



Middle Rail

Diameter	Part #
18'-21'	LDR-5078
24'-39'	LDR-5084
42'-60'	LDR-5102
72'-105'	LDR-5117



Kick Plate

Diameter	Part #
18'-21'	LDR-5077
24'-39'	LDR-5083
42'-60'	LDR-5101
72'-105'	LDR-5116

Hardware Requirements

Part #	Description
S-8805	Bolt, HHCS 1/2"-13 x 1-1/4" ZN Grade 8
S-8986	Bolt, HHCS 3/8"-16 x 1-1/4" ZN Grade 8
S-7487	Flange Bolt 3/8" x 1" Grade 8 with Washer
S-3729	Hex Nut 1/2"-13 YDP Grade 5
S-7489	Hex Nut 3/8"-16 JS500 Grade 5
S-248	Flat Washer 3/8" 7/16" I.D. 1" O.D. YDP
S-3558	Washer, EPDM 3/8" Steel Backed

Figure 1A

2. Assembly Instructions

The eave guard packages have been structured with the correct components for each diameter of 2.66" corrugated externally stiffened bin from 18'-105'. Be sure and follow the complete instruction sheets for correct placement of parts. Failure to do so may result in improper fit of parts or shortage of parts.

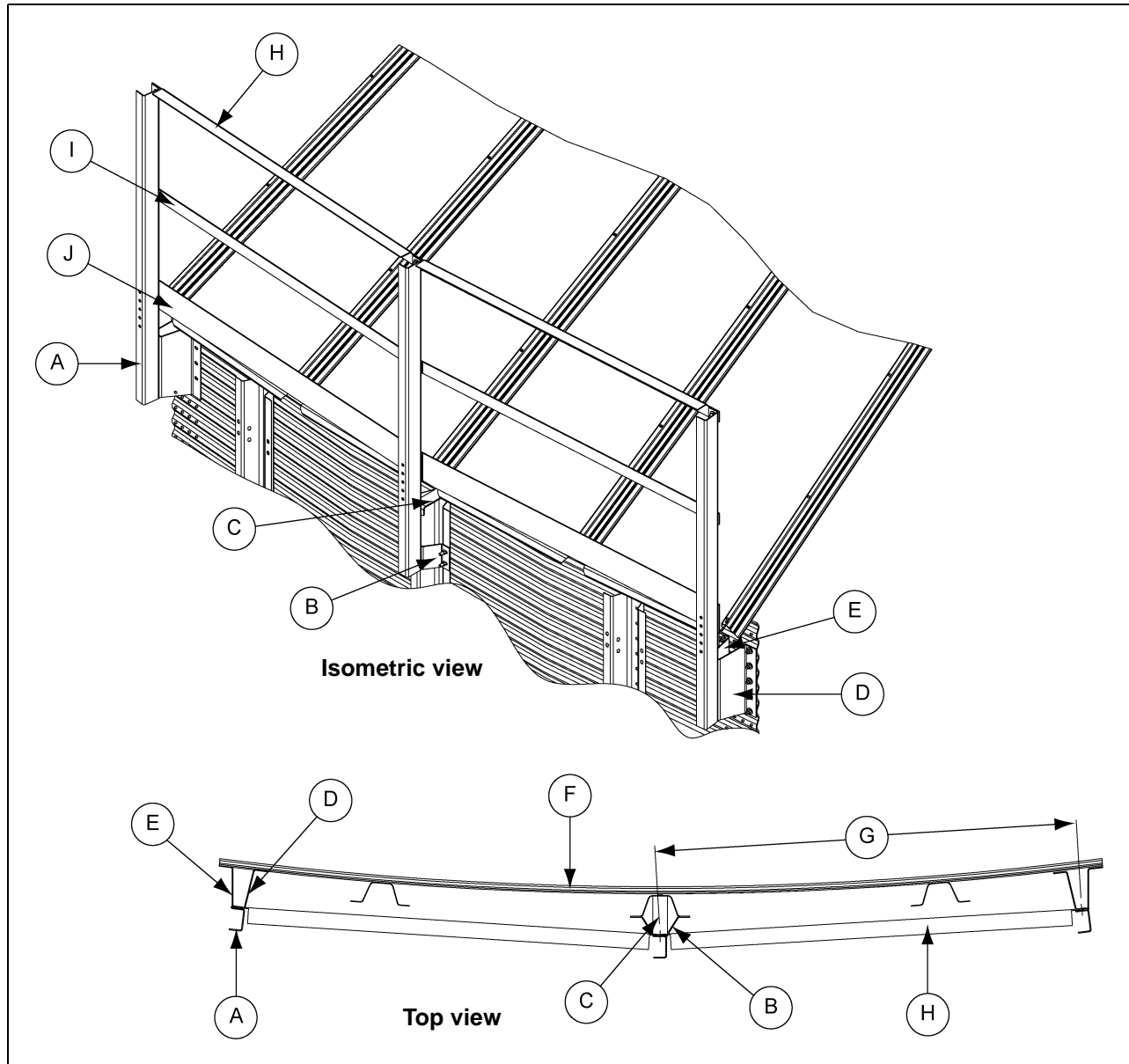


Figure 2A

Ref #	Part #	Description
A	LDR-5018	Guard Channel
B	LDR-5015	Stiffener Bracket
C	LDR-5014	Top Bracket
D	LDR-5017	R.H. Seam Bracket
E	LDR-5016	L.H. Seam Bracket

Ref #	Description
F	Sidewall
G	57.338" Typical
H	Top Rail <i>(See Table on Page 4.)</i>
I	Middle Rail <i>(See Table on Page 4.)</i>
J	Kick Plate <i>(See Table on Page 4.)</i>

3. Installation

Seam Bracket Installation

Install the seam brackets (G) at each vertical seam in the top ring as shown in [Figure 3A](#). When properly installed, the R.H. bracket (B) will overlap the L.H. bracket (A); the guard channel connection holes (J) will be in line with the last horizontal seam hole (H) and the top sidewall connection hole will be located 4-7/8" from the top of the sheet. (See note [below](#) for double and triple punched sheets.) Use 3/8" hardware for each connection.

NOTE: When double or triple punched sheets are used, locate the seam bracket assembly by centering the guard channel connection holes under the last horizontal seam hole. 3/8" Field drilled holes will be required to attach the brackets to the sidewall.

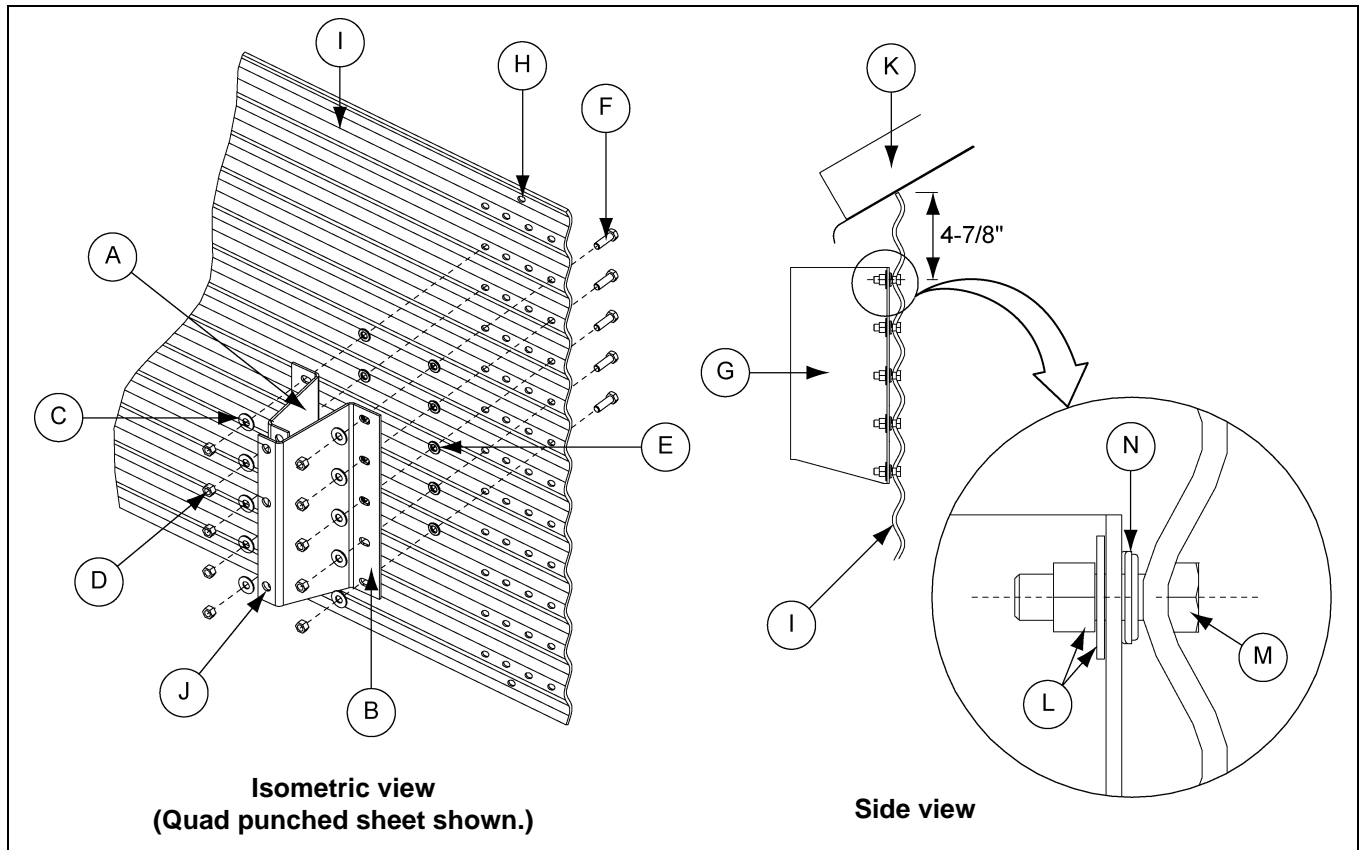


Figure 3A

Ref #	Part #	Description
A	LRD-5016	L.H. Seam Bracket
B	LRD-5017	R.H. Seam Bracket
C	S-248	3/8" Flat Washer
D	S-7489	3/8"-16 Hex Nut
E	S-3558	3/8" Neoprene Backed Washer
F	S-7487	3/8" x 1" Flange Bolt
G	LDR-5016 or LDR-5017	Seam Bracket

Ref #	Description
H	Horizontal Seam Hole
I	Sidewall Sheet (Top Ring)
J	Guard Channel Connection Holes
K	Roof Panel
L	3/8" Flat Washer and Nut
M	Bolt head with sealing washer on inside of tank.
N	Neoprene washer (S-3558) must be placed between the sidewall sheet and the seam brackets at each connection.

Stiffener Bracket and Top Bracket Installation

The top and stiffener brackets (A and B) should be installed on the top stiffener as shown in the [Figure 3B](#). Install the top bracket with the 3/8" bolt used to attach the top stiffener. (Install the top bracket (A) on the outer face of the stiffener.) Use 3/8" hardware to attach the stiffener bracket (B) through the splice holes in the top stiffener.

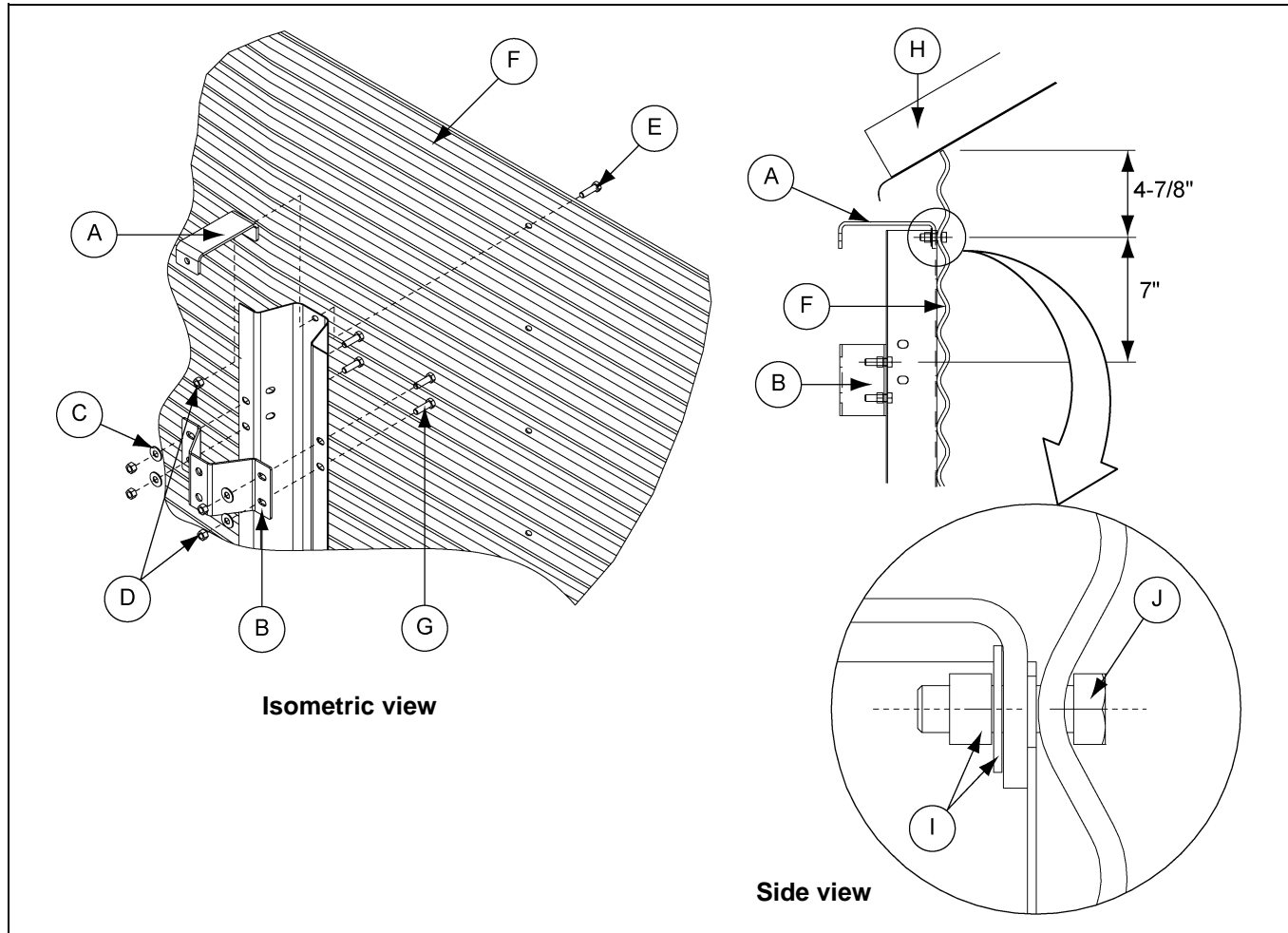


Figure 3B

Ref #	Part #	Description
A	LDR-5014	Top Bracket
B	LDR-5015	Stiffener Bracket
C	S-248	3/8" Flat Washer
D	S-7489	3/8"-16 Hex Nuts
E	S-7487	3/8" x 1" Flange Bolt
F		Sidewall Sheet (Top Ring)
G		Use Existing Stiffener Splice Bolt
H		Roof Panel
I		3/8" Flat Washer and Nut
J		Bolt head with sealing washer on inside of tank.

3. Installation

Guard Channel Installation

After the seam and stiffener brackets (F and C) are installed, attach the guard channels (A) as shown in the [Figure 3C](#). Use 1/2" hardware for each connection.

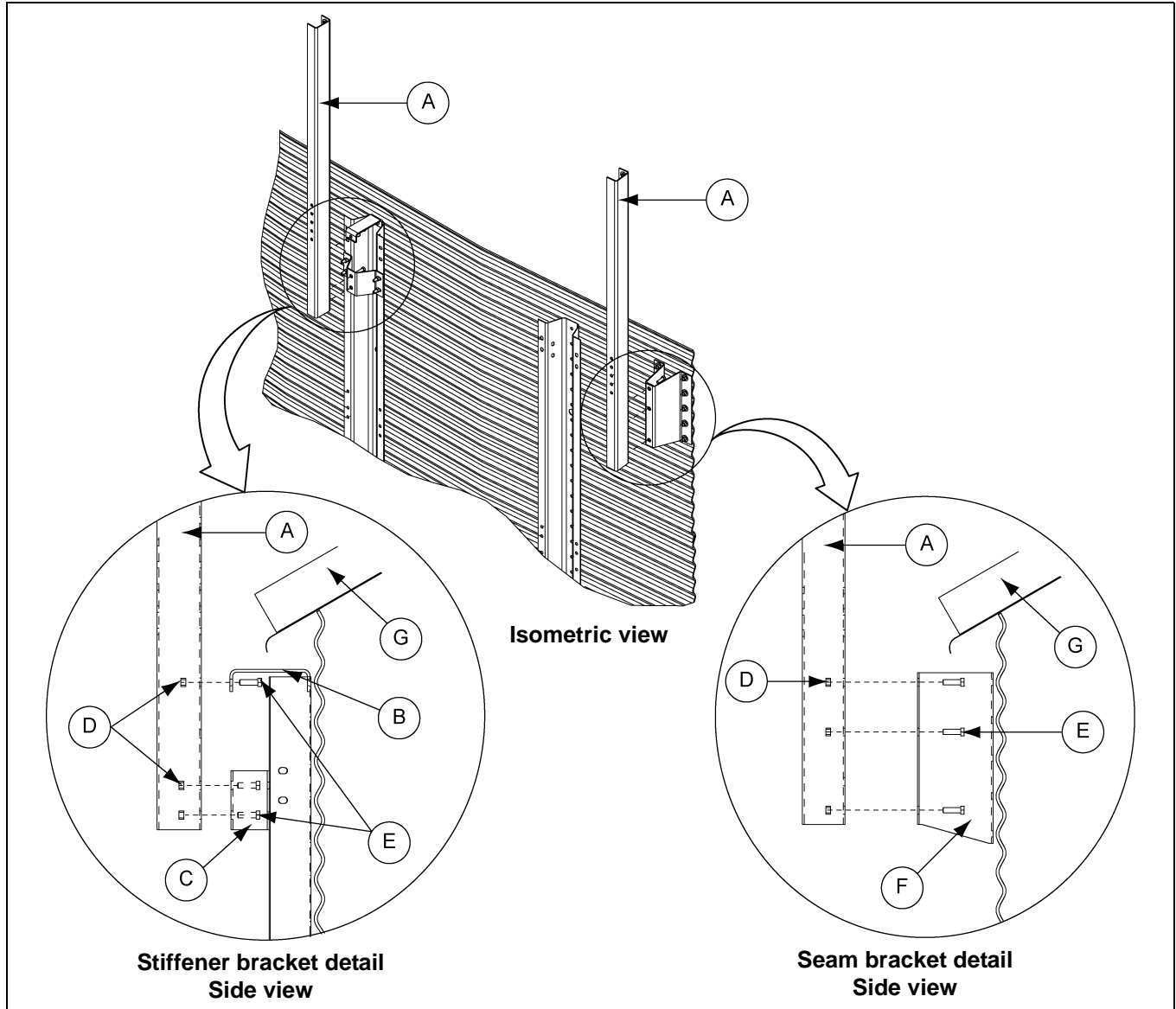


Figure 3C

Ref #	Part #	Description
A	LDR-5018	Guard Channel
B	LRD-5014	Top Bracket
C	LDR-5015	Stiffener Bracket
D	S-3729	1/2"-13 Hex Nuts
E	S-8805	1/2"-13 x 1-1/4" Flange Bolts
F	LDR-5016 or LDR-5017	Seam Bracket
G		Roof Panel

Rail and Kick Plate Installation

To complete the eave guard assembly, attach one each of the top rail (E), middle rail (F) and kick plates (G) to the guard channels (A) as shown in [Figure 3D](#). Each component installed will overlap those previously installed. Use 3/8" hardware for each connection.

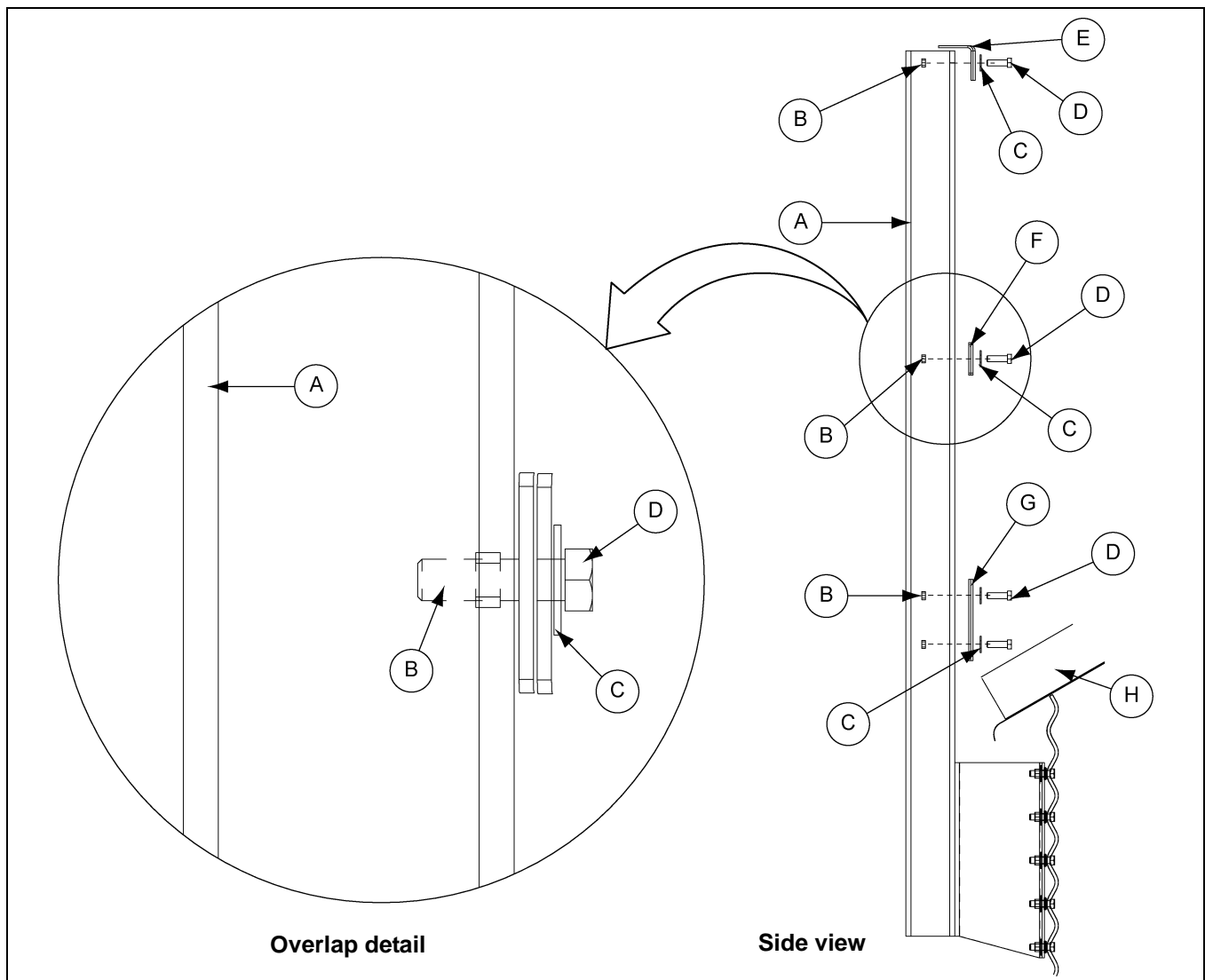


Figure 3D

Ref #	Part #	Description
A	LDR-5018	Guard Channel
B	S-7489	3/8"-16 Hex Nut
C	S-248	3/8" Flat Washer
D	S-8986	3/8"-16 x 1-1/4" Flange Bolt
E		Top Rail
F		Middle Rail
G		Kick Plate
H		Roof Panel

NOTES

GSI Group, LLC Limited Warranty

The GSI Group, LLC ("GSI") warrants products which it manufactures to be free of defects in materials and workmanship under normal usage and conditions for a period of 12 months after sale to the original end-user or if a foreign sale, 14 months from arrival at port of discharge, whichever is earlier. The end-user's sole remedy (and GSI's only obligation) is to repair or replace, at GSI's option and expense, products that in GSI's judgment, contain a material defect in materials or workmanship. Expenses incurred by or on behalf of the end-user without prior written authorization from the GSI Warranty Group shall be the sole responsibility of the end-user.

Warranty Extensions:

The Limited Warranty period is extended for the following products:

	Product	Warranty Period	
AP Fans and Flooring	Performer Series Direct Drive Fan Motor	3 Years	* Warranty prorated from list price: 0 to 3 years - no cost to end-user 3 to 5 years - end-user pays 25% 5 to 7 years - end-user pays 50% 7 to 10 years - end-user pays 75%
	All Fiberglass Housings	Lifetime	
	All Fiberglass Propellers	Lifetime	
Cumberland Feeding/Watering Systems	Feeder System Pan Assemblies	5 Years **	** Warranty prorated from list price: 0 to 3 years - no cost to end-user 3 to 5 years - end-user pays 50%
	Feed Tubes (1-3/4" and 2.00")	10 Years *	
	Centerless Augers	10 Years *	
	Watering Nipples	10 Years *	
Grain Systems	Grain Bin Structural Design	5 Years	
Grain Systems Farm Fans Zimmerman	Portable and Tower Dryers	2 Years	† Motors, burner components and moving parts not included. Portable dryer screens included. Tower dryer screens not included.
	Portable and Tower Dryer Frames and Internal Infrastructure †	5 Years	

GSI further warrants that the portable and tower dryer frame and basket, excluding all auger and auger drive components, shall be free from defects in materials for a period of time beginning on the twelfth (12th) month from the date of purchase and continuing until the sixtieth (60th) month from the date of purchase (extended warranty period). During the extended warranty period, GSI will replace the frame or basket components that prove to be defective under normal conditions of use without charge, excluding the labor, transportation, and/or shipping costs incurred in the performance of this extended warranty.

Conditions and Limitations:

THERE ARE NO WARRANTIES THAT EXTEND BEYOND THE LIMITED WARRANTY DESCRIPTION SET FORTH ABOVE. SPECIFICALLY, GSI MAKES NO FURTHER WARRANTY OF ANY KIND, EXPRESS OR IMPLIED, INCLUDING, WITHOUT LIMITATION, WARRANTIES OF MERCHANTABILITY OR FITNESS FOR A PARTICULAR PURPOSE OR USE IN CONNECTION WITH: (I) PRODUCT MANUFACTURED OR SOLD BY GSI OR (II) ANY ADVICE, INSTRUCTION, RECOMMENDATION OR SUGGESTION PROVIDED BY AN AGENT, REPRESENTATIVE OR EMPLOYEE OF GSI REGARDING OR RELATED TO THE CONFIGURATION, INSTALLATION, LAYOUT, SUITABILITY FOR A PARTICULAR PURPOSE, OR DESIGN OF SUCH PRODUCTS.

GSI shall not be liable for any direct, indirect, incidental or consequential damages, including, without limitation, loss of anticipated profits or benefits. The sole and exclusive remedy is set forth in the Limited Warranty, which shall not exceed the amount paid for the product purchased. This warranty is not transferable and applies only to the original end-user. GSI shall have no obligation or responsibility for any representations or warranties made by or on behalf of any dealer, agent or distributor.

GSI assumes no responsibility for claims resulting from construction defects or unauthorized modifications to products which it manufactured. Modifications to products not specifically delineated in the manual accompanying the equipment at initial sale will void the Limited Warranty.

This Limited Warranty shall not extend to products or parts which have been damaged by negligent use, misuse, alteration, accident or which have been improperly/inadequately maintained. This Limited Warranty extends solely to products manufactured by GSI.

Prior to installation, the end-user has the responsibility to comply with federal, state and local codes which apply to the location and installation of products manufactured or sold by GSI.

This equipment shall be installed in accordance with the current installation codes and applicable regulations, which should be carefully followed in all cases. Authorities having jurisdiction should be consulted before installations are made.

G S I G R O U P



GSI Group
1004 E. Illinois St.
Assumption, IL 62510-0020
Phone: 1-217-226-4421
Fax: 1-217-226-4420
www.gsiag.com



GSI is a worldwide brand of AGCO Corporation.