

Figure 1

Ref #	Part #	Description	Qty
A	LDR-5122	Lower Handrail Weldment	2
B	LDR-4393	Adapter Bracket	2
C	LDR-5123	Upper Handrail Weldment	2
D	LDR-4228	Rib Bracket Weldment	3
E	LDR-4392	Handrail Post	2
F	LDR-4390	Insert Weldment	4

Ref #	Part #	Description	Qty
G	LDR-4398	34-1/2" Pipe Handrail	2
H	LDR-4399	Splice Plate	
I	LDR-5126	Toe Board	
J	LDR-4388	Connecting Band	
K	LDR-4345	Ladder Starter Section (Not included in LDR-5127 package.)	

Date: 01-27-14



PNEG-1442

72'-105' "C" Series Manway Handrail Assembly Instructions

NOTE: Field drill holes as necessary. Use 5/16" hardware for all connections. Use a 5/16" washer for all slotted connections. Use 1/4" self-drilling screws to secure handrails to corner weldments.

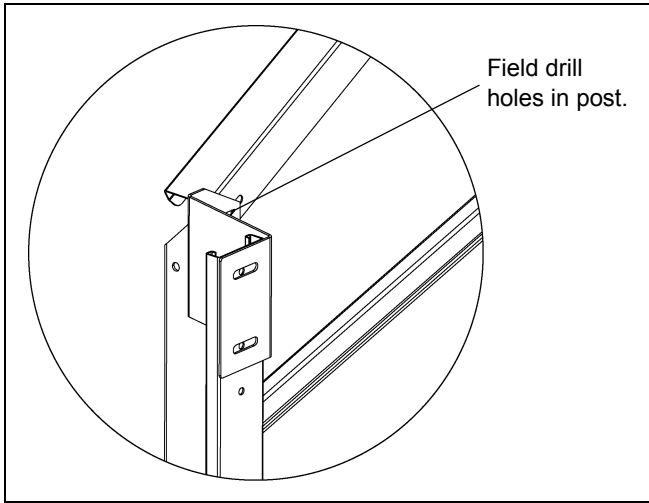


Figure 2 Detail A

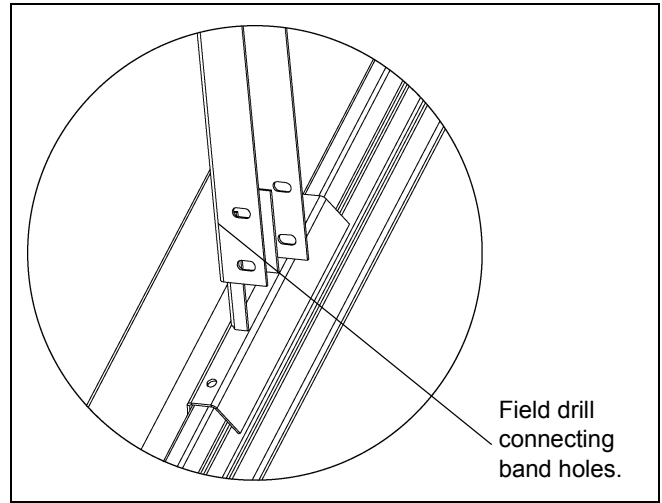


Figure 5 Detail D

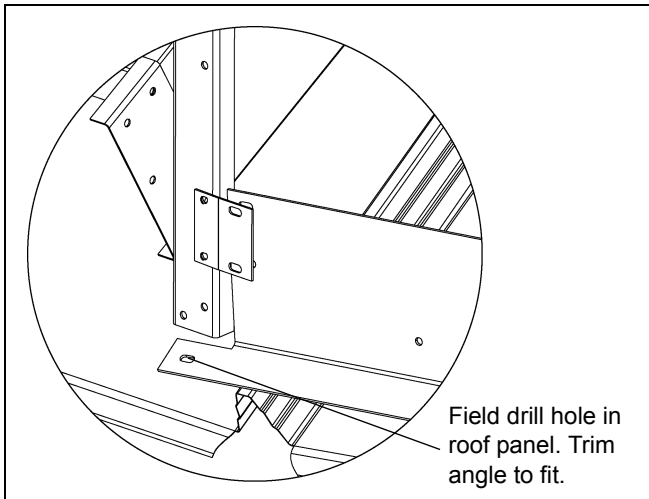


Figure 3 Detail B

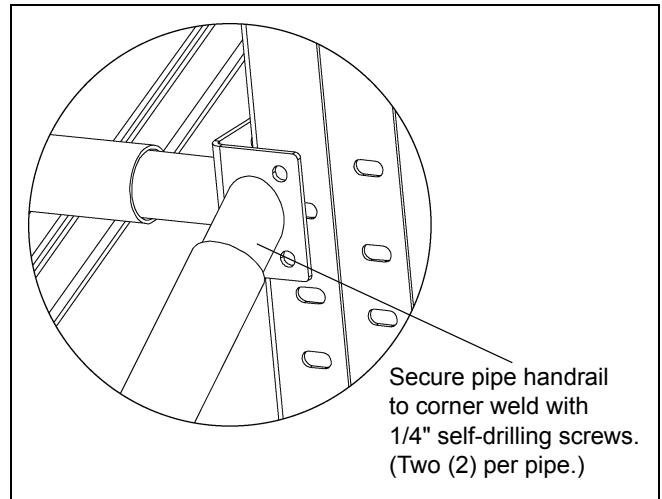


Figure 6 Detail E

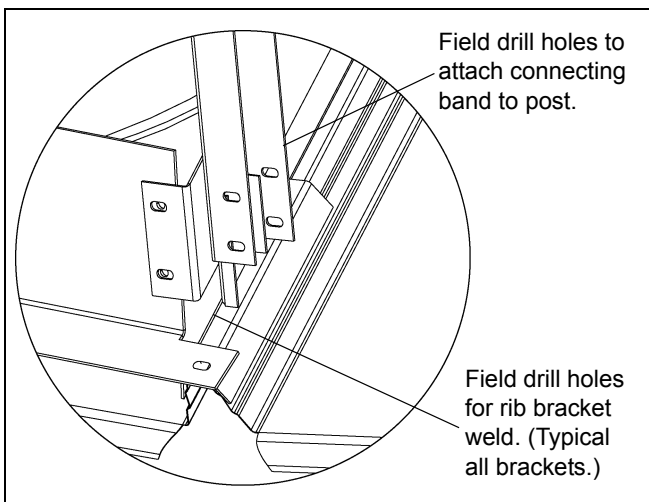


Figure 4 Detail C

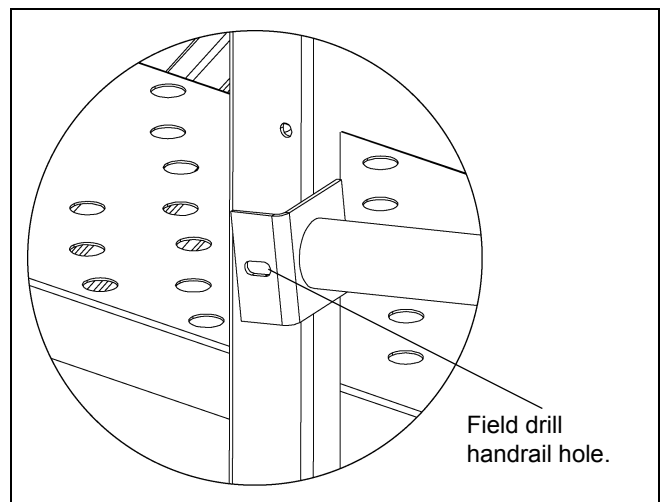


Figure 7 Detail F