

**Figure 1**

Ref #	Part #	Description	Qty
A	LDR-5122	Lower Handrail Weldment	2
B	LDR-4393	Adapter Bracket	2
C	LDR-5123	Upper Handrail Weldment	2
D	LDR-4228	Rib Bracket Weldment	3
E	LDR-4392	Handrail Post	2
F	LDR-4390	Insert Weldment	4

Ref #	Part #	Description	Qty
G	LDR-4398	34-1/2" Pipe Handrail	2
H	LDR-4399	Splice Plate	
I	LDR-5126	Toe Board	
J	LDR-4388	Connecting Band	
K	LDR-4345	Ladder Starter Section (Not included in LDR-5127 package.)	

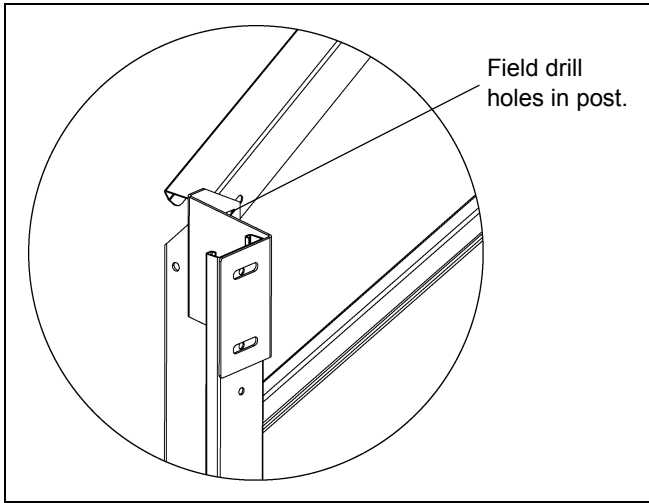
**Date: 01-27-14**



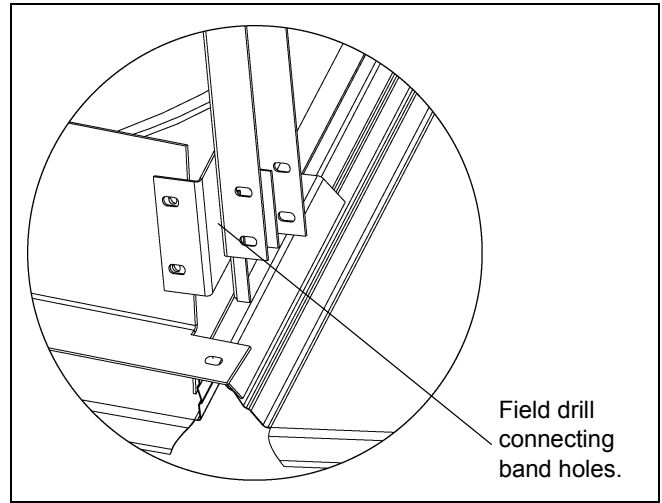
**PNEG-1442R**

# 36'-60' "C" Series Manway Handrail Assembly Instructions

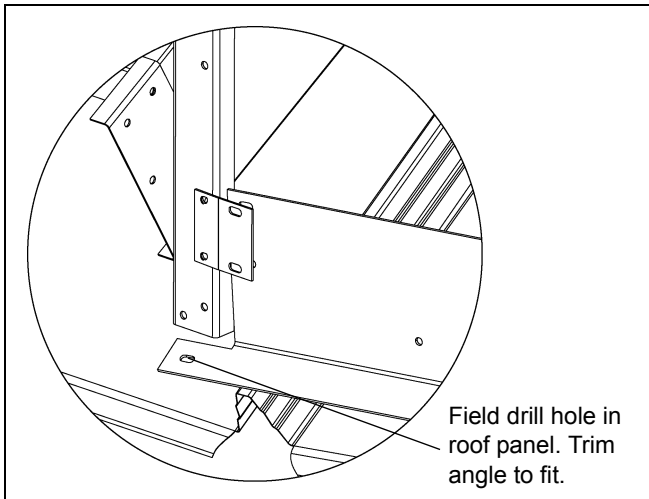
**NOTE:** Field drill holes as necessary. Use 5/16" hardware for all connections. Use a 5/16" washer for all slotted connections. Use 1/4" self-drilling screws to secure handrails to corner weldments.



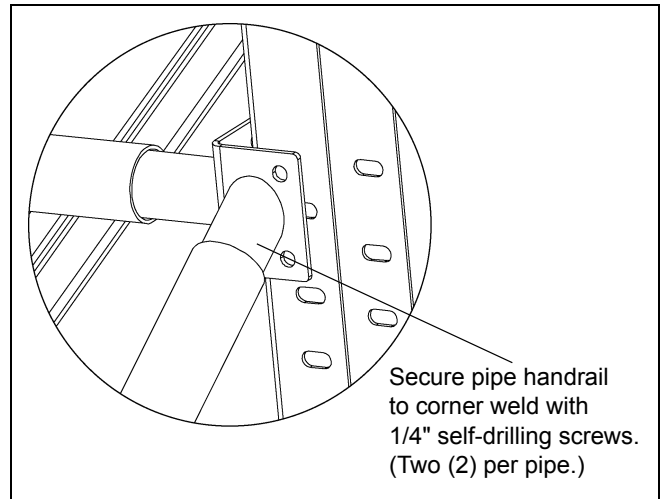
**Figure 2 Detail A**



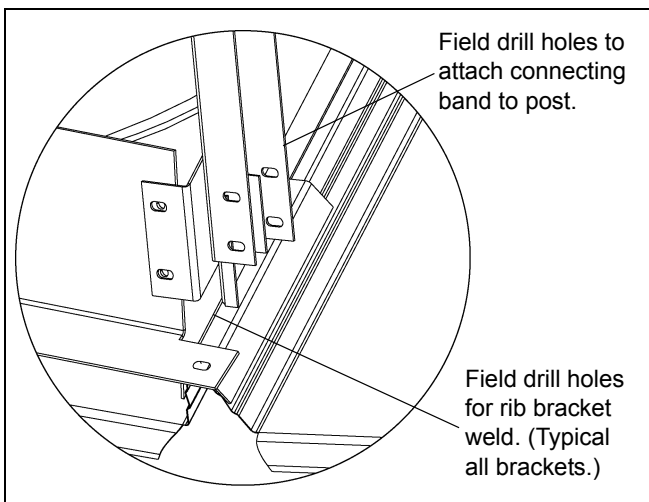
**Figure 5 Detail D**



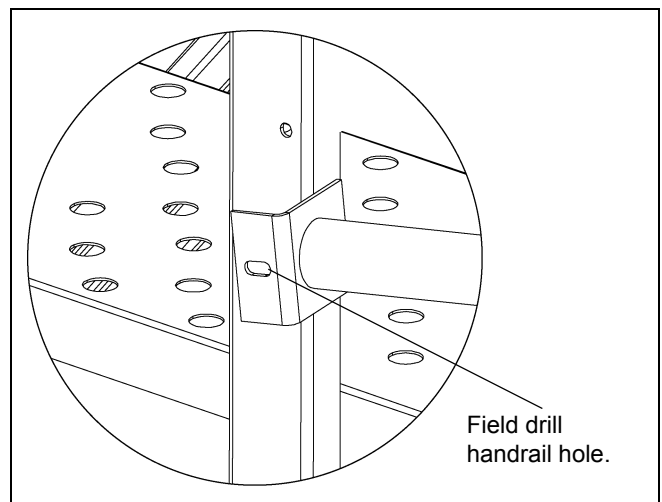
**Figure 3 Detail B**



**Figure 6 Detail E**



**Figure 4 Detail C**



**Figure 7 Detail F**