

Figure 1 Outside Stiffened

NOTE: Be sure to push ladder sections up and tighten. Do not tighten ladder section splices with ladder sections hanging under their own weight.

Now all standoff brackets and straps must be installed every 32" and attached to each 4' section required.

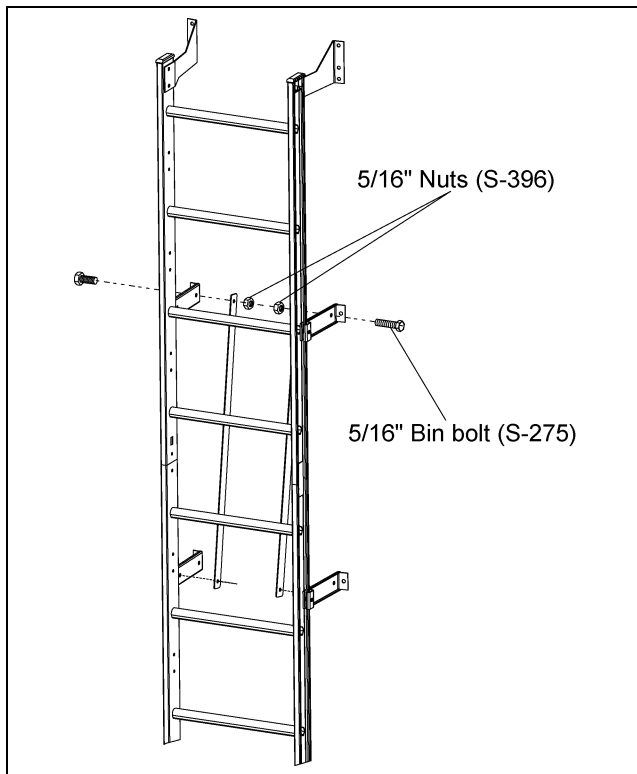


Figure 2 Un-assembled Reinforcing Strap

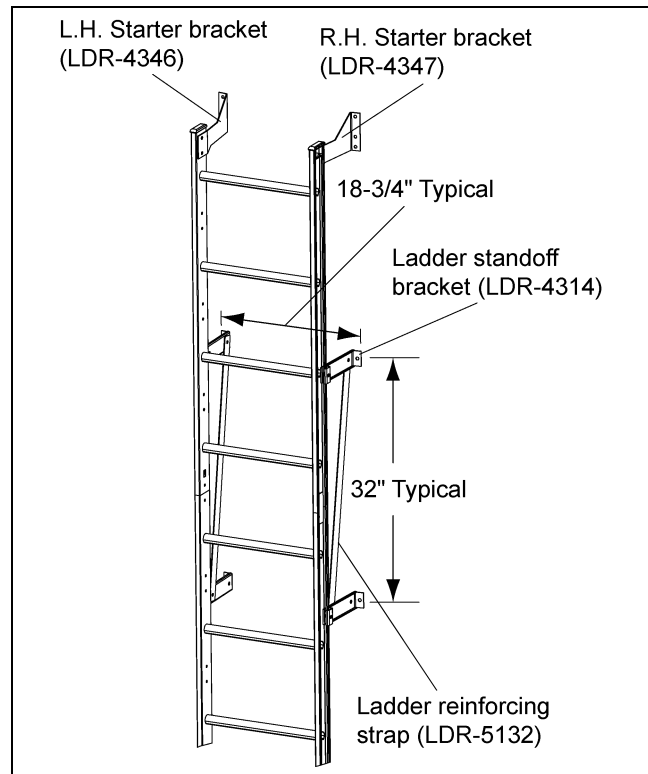


Figure 3 Assembled Reinforcing Strap



Inside Ladder Bottom Bracket

The bottom ladder section may need to be cut off if the length is too long. Cut the bottom section at least 12" from the bottom of the floor. Attach the bottom inside ladder brackets (LDR-5133) to the last ladder section using the six (6) holes per ladder rail. You may need to drill out the holes in the last ladder section with a 3/8" drill bit. You will also need to drill two (2) 3/8" holes through the sidewall to attach each bottom bracket to the sidewall. Use 5/16" hardware at all attachment points.

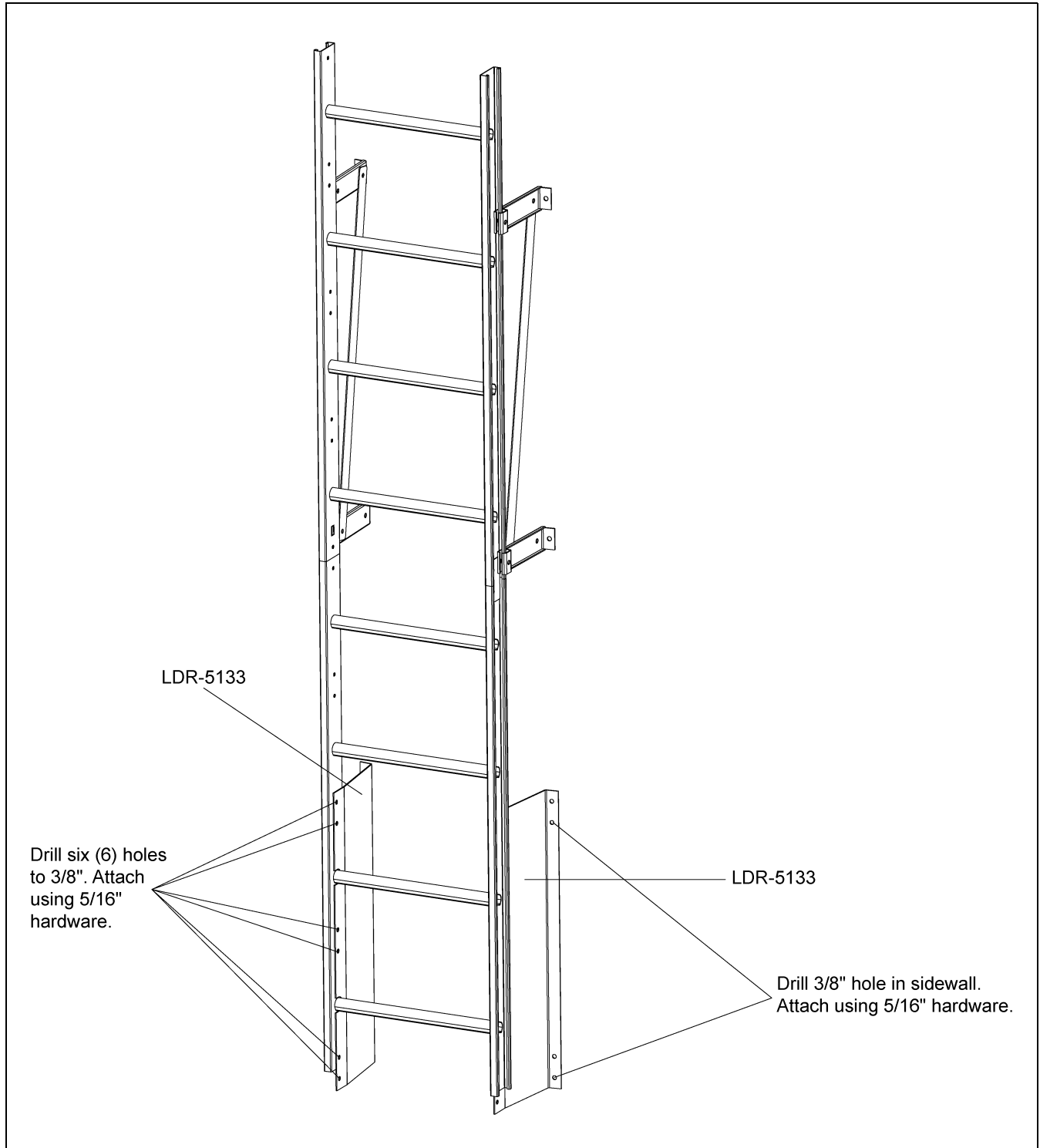


Figure 4