



Reinforced Inside Ladder Instructions

Instructions Manual

PNEG-1652

Version: 1.0

Date: 11-02-11

GSI GROUP



PNEG-1652

Contents

Chapter 1 Safety	4
Safety Guidelines	4
General Safety Statement	5
Safety Instructions	6
Chapter 2 Safety Decals	8
Roof Damage Warning and Disclaimer	8
Chapter 3 Inside Ladder Instructions	11
2.66" Commercial Stiffened	11
2.66" Corrugated Farm Bin	13
4.00" Commercial Stiffened	15
4.00" Corrugated Farm Bin	17
Chapter 4 Warranty	19

Safety Guidelines

This manual contains information that is important for you, the owner/operator, to know and understand. This information relates to protecting **personal safety** and **preventing equipment problems**. It is the responsibility of the owner/operator to inform anyone operating or working in the area of this equipment of these safety guidelines. To help you recognize this information, we use the symbols that are defined below. Please read the manual and pay attention to these sections. Failure to read this manual and its safety instructions is a misuse of the equipment and may lead to serious injury or death.



This is the safety alert symbol. It is used to alert you to potential personal injury hazards. Obey all safety messages that follow this symbol to avoid possible injury or death.



DANGER indicates a hazardous situation which, if not avoided, will result in death or serious injury.



WARNING indicates a hazardous situation which, if not avoided, could result in death or serious injury.



CAUTION, used with the safety alert symbol, indicates a hazardous situation which, if not avoided, could result in minor or moderate injury.



NOTICE is used to address practices not related to personal injury.

General Safety Statement

Our foremost concern is your safety and the safety of others associated with grain handling equipment. This manual is to help you understand safe operating procedures and some problems that may be encountered by the operator and other personnel.

As owner and/or operator, you are responsible to know what requirements, hazards and precautions exist and inform all personnel associated with the equipment or in the area. Safety precautions may be required from the personnel. Avoid any alterations to the equipment, which may produce a very dangerous situation, where **SERIOUS INJURY** or **DEATH** may occur.

You should consider the location of the bin site relative to power line locations or electrical transmission equipment. Contact your local power company to review your installation plan or for information concerning required equipment clearance. Clearance of portable equipment that may be taken to the bin site should also be reviewed and considered. Any electrical control equipment in contact with the bin should be properly grounded and installed in accordance with National Electric Code provisions and other local or national codes.

This product is intended for the use of grain storage only. Any other use is a misuse of the product.



This product has sharp edges, which may cause serious injury. To avoid injury, handle sharp edges with caution and always use proper protective clothing and equipment.

Sidewall bundles or sheets must be stored in a safe manner. The safest method of storing sidewall bundles is laying horizontally with the arch of the sheet upward, like a dome. Sidewall sheets stored on edge must be secured so that they cannot fall over and cause injury. Use care when handling and moving sidewall bundles.

Personnel operating or working around equipment should read this manual. This manual must be delivered with equipment to its owner. Failure to read this manual and its safety instructions is a misuse of the equipment.

1. Safety

Safety Instructions

Our foremost concern is your safety and the safety of others associated with this equipment. We want to keep you as a customer. This manual is to help you understand safe operating procedures and some problems that may be encountered by the operator and other personnel.

As owner and/or operator, it is your responsibility to know what requirements, hazards, and precautions exist, and to inform all personnel associated with the equipment or in the area. Safety precautions may be required from the personnel. Avoid any alterations to the equipment. Such alterations may produce a very dangerous situation where **SERIOUS INJURY** or **DEATH** may occur.

This equipment shall be installed in accordance with the current installation codes and applicable regulations, which should be carefully followed in all cases. Authorities having jurisdiction should be consulted before installations are made.

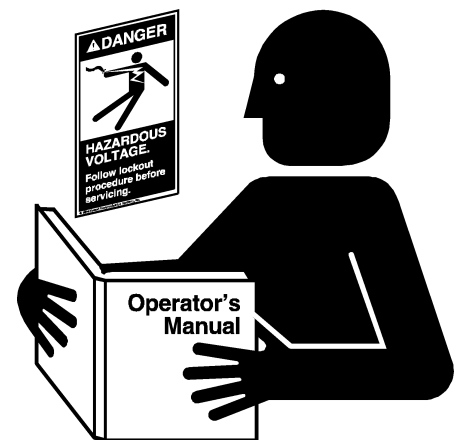
Follow Safety Instructions

Carefully read all safety messages in this manual and safety signs on your machine. Keep signs in good condition. Replace missing or damaged safety signs. Be sure new equipment components and repair parts include the current safety signs. Replacement safety signs are available from the manufacturer.

Learn how to operate the machine and how to use controls properly. Do not let anyone operate without instruction.

Keep your machinery in proper working condition. Unauthorized modifications to the machine may impair the function and/or safety and affect machine life.

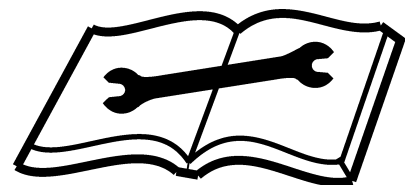
If you do not understand any part of this manual or need assistance, contact your dealer.



Read and Understand Manual

Install Equipment Properly

This equipment shall be installed in accordance with the current installation codes and applicable regulations which should be carefully followed in all cases. Authorities having jurisdiction should be consulted before installations are made.



Follow Building Codes

Stay Clear of Hoisted Equipment

Always use proper lifting/hoisting equipment when assembling or disassembling equipment.

Do not walk or stand under hoisted equipment.

Always use sturdy and stable supports when needed for installation.



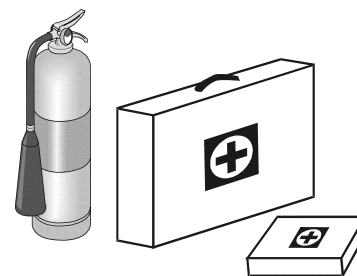
Crush Hazard

Prepare for Emergencies

Be prepared if fire starts.

Keep a first aid kit and fire extinguisher handy.

Keep emergency numbers for doctors, ambulance service, hospital, and fire department near your telephone.



Keep Emergency Equipment Quickly Accessible

Wear Protective Clothing

Wear close-fitting clothing and safety equipment appropriate to the job.

Remove all jewelry.

Tie long hair up and back.

Wear safety glasses at all times to protect eyes from debris.

Wear gloves to protect your hands from sharp edges on plastic or steel parts.

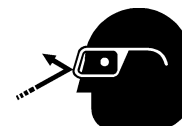
Wear steel-toed boots to help protect your feet from falling debris. Tuck in any loose or dangling shoestrings.

A respirator may be needed to prevent breathing potentially toxic fumes and dust.

Wear a hard hat to help protect your head.

Wear appropriate fall protection equipment when working at elevations greater than six feet (6').

Eye Protection



Gloves



Steel-Toed Boots



Respirator



Hard Hat




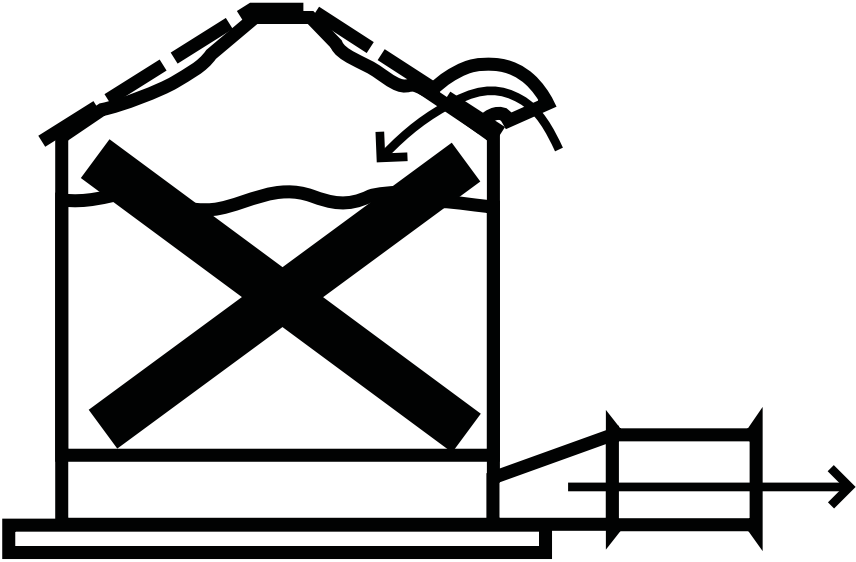
Fall Protection



Roof Damage Warning and Disclaimer

The manufacturer does not warrant any roof damage caused by excessive vacuum or internal pressure from fans or other air moving systems. Adequate ventilation and/or “makeup air” devices should be provided for all powered air handling systems. The manufacturer does not recommend the use of downward flow systems (suction). Severe roof damage can result from any blockage of air passages. Running fans during high humidity/cold weather conditions can cause air exhaust or intake ports to freeze.

 **CAUTION!**



Excessive vacuum (or pressure) may damage roof. Use positive aeration system. Make sure all roof vents are open and unobstructed. Start roof fans when supply fans are started. Do not operate when conditions exist that may cause roof vent icing.

DC-969

ATTENTION: The decal shown below should be present on the outside of the door cover of the 2 ring, 24" porthole door cover and the roof manway cover. If a decal has been damaged or is missing in any of these locations, contact the manufacturer for a free replacement decal.

GSI Decals

1004 E. Illinois St.
Assumption, IL. 62510
Phone: 1-217-226-4421



DANGER

 <p>Rotating flighting will kill or dismember.</p>	 <p>Flowing material will trap and suffocate.</p>	 <p>Crusted material will collapse and suffocate.</p>
--	---	---

Keep clear of all augers. DO NOT ENTER this bin!

If you must enter the bin:

- 1. Shut off and lock out all power.**
- 2. Use a safety harness and safety line.**
- 3. Station another person outside the bin.**
- 4. Avoid the center of the bin.**
- 5. Wear proper breathing equipment or respirator.**

Failure to heed these warnings will result in serious injury or death.


DC-GBC-1A

2. Safety Decals

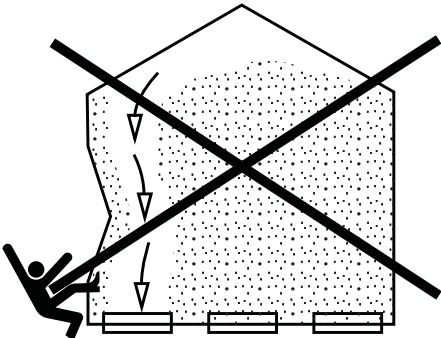
ATTENTION: The decal shown below should be present on the outside of the door cover of the 2 ring, 24" porthole door cover and the roof manway cover. If a decal has been damaged or is missing in any of these locations, contact the manufacturer for a free replacement decal.

GSI Decals

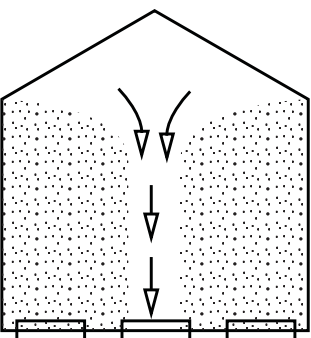
1004 E. Illinois St.
Assumption, IL. 62510
Phone: 1-217-226-4421



WARNING



DON'T



DO

UNLOADING INSTRUCTIONS:

1. Use **CENTER FLOOR OUTLET ONLY** until **NO** grain remains above this outlet.
2. Side floor outlets to be used **ONLY** when above condition is satisfied.
3. Lock all side floor outlets to avoid accidental premature use.
4. See manufacturers instructions for proper use of factory supplied sidedraw (wall) discharge systems.

Failure to heed these warnings could result in serious injury, death, structural damage or collapse of tank.

DC-GBC-2A

2.66" Commercial Stiffened

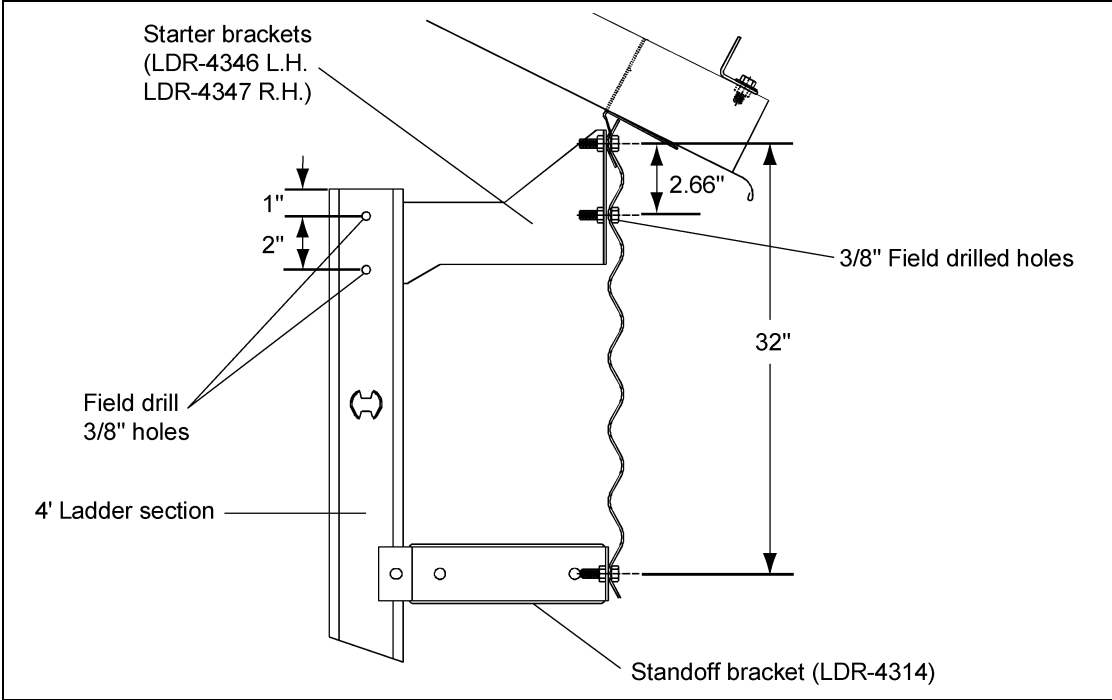


Figure 3A Outside Stiffened

NOTE: Be sure to push ladder sections up and tighten. Do not tighten ladder section splices with ladder sections hanging under their own weight.

Now all standoff brackets and straps must be installed every 32" and attached to each 4' section required.

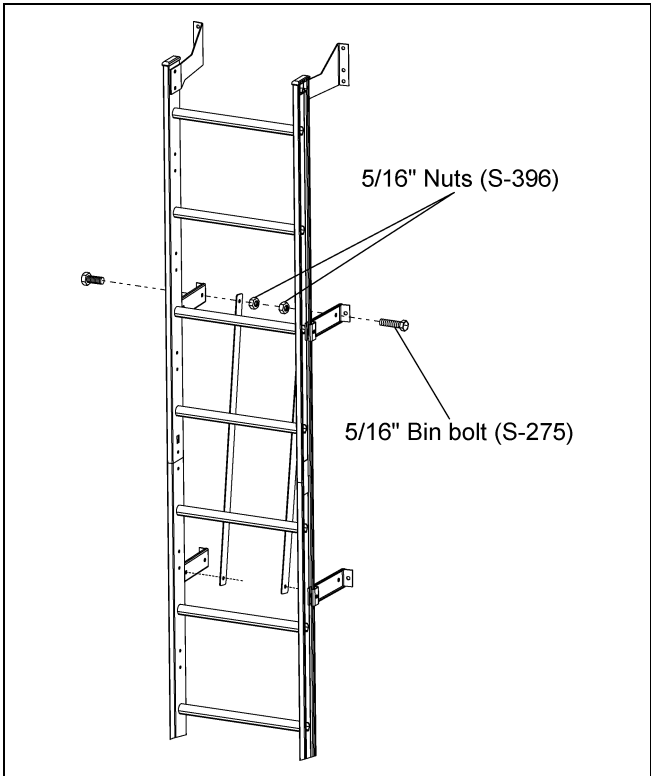


Figure 3B Un-Assembled Reinforcing Strap

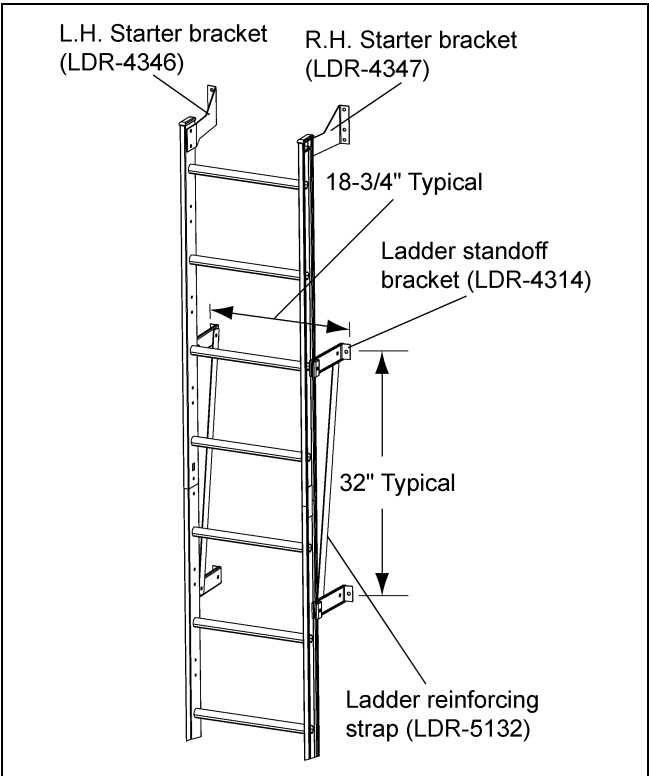


Figure 3C Assembled Reinforcing Strap

3. Inside Ladder Instructions

Inside Ladder Bottom Bracket

The bottom ladder section may need to be cut off if the length is too long. Cut the bottom section at least 12" from the bottom of the floor. Attach the bottom inside ladder brackets (LDR-5133) to the last ladder section using the six (6) holes per ladder rail. You may need to drill out the holes in the last ladder section with a 3/8" drill bit. You will also need to drill two (2) 3/8" holes through the sidewall to attach each bottom bracket to the sidewall. Use 5/16" hardware at all attachment points.

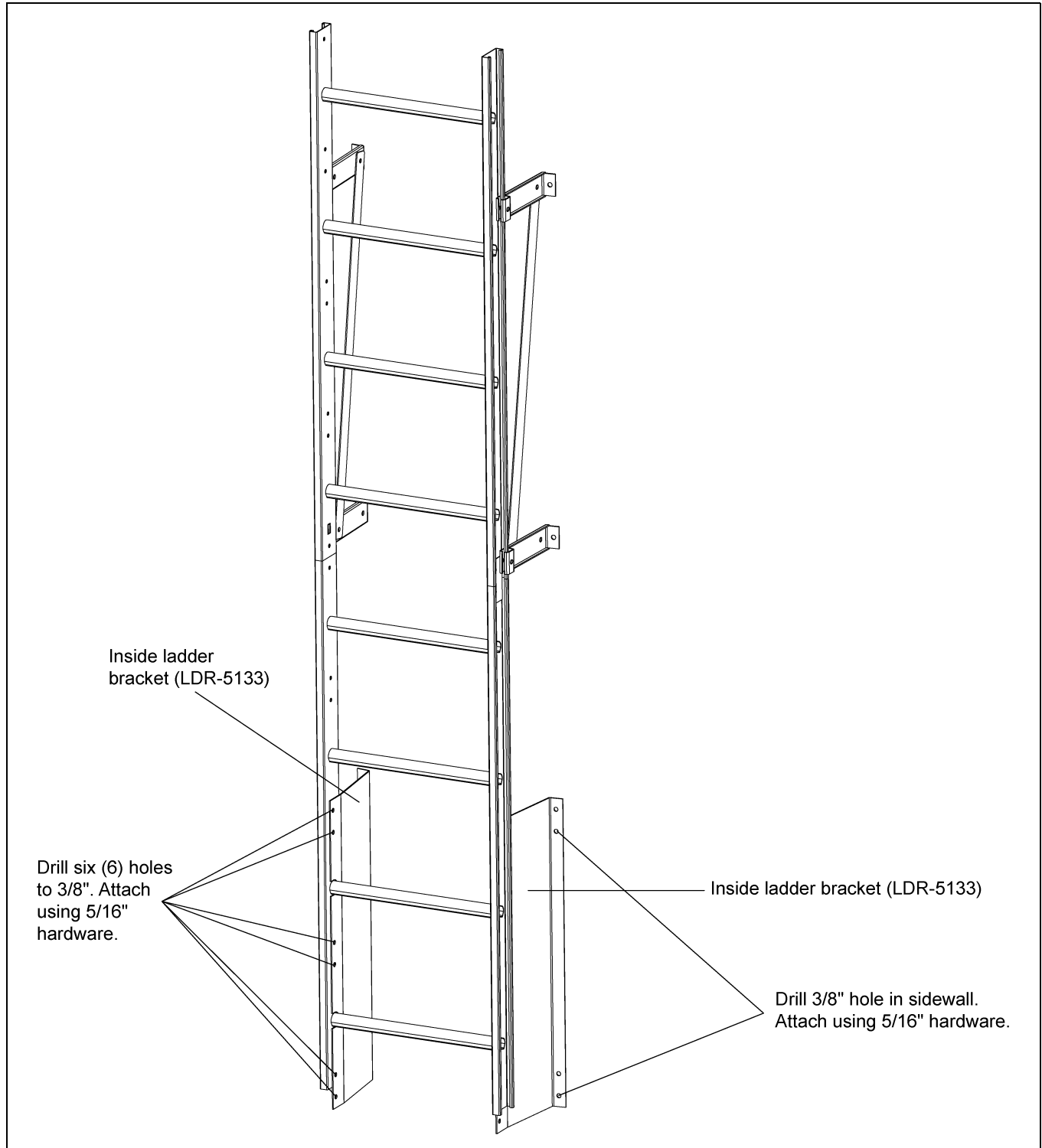


Figure 3D

2.66" Corrugated Farm Bin

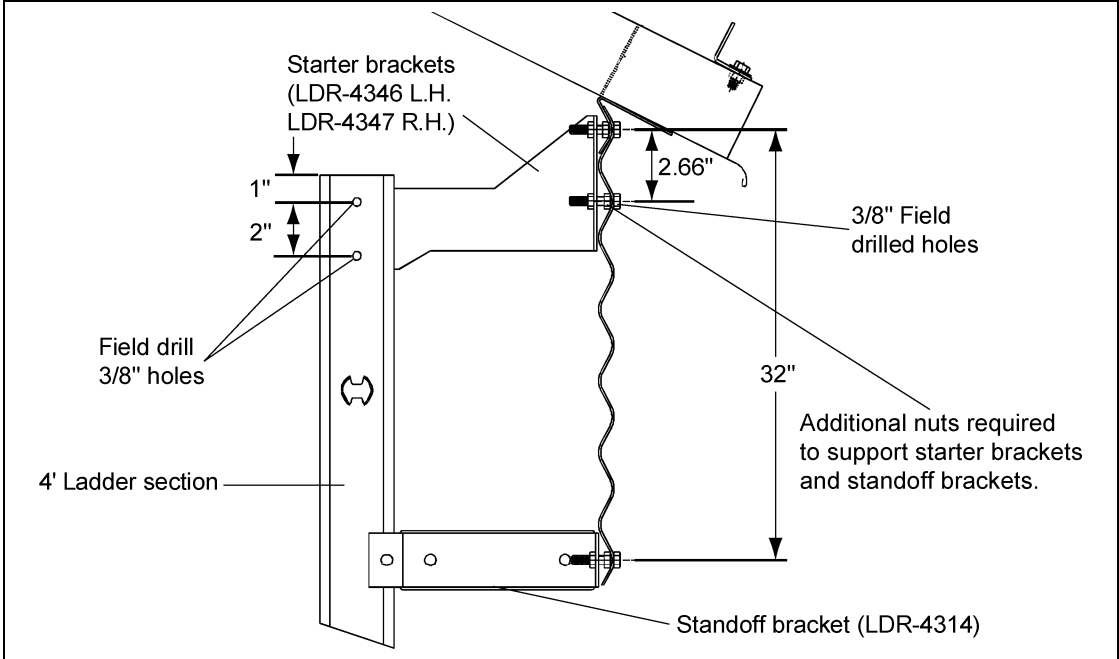


Figure 3E Inside Starter Bracket and Ladder Placement

NOTE: Be sure to push ladder sections up and tighten. Do not tighten ladder section splices with ladder sections hanging under their own weight.

Now all standoff brackets and straps must be installed every 32" and attached to each 4' section required.

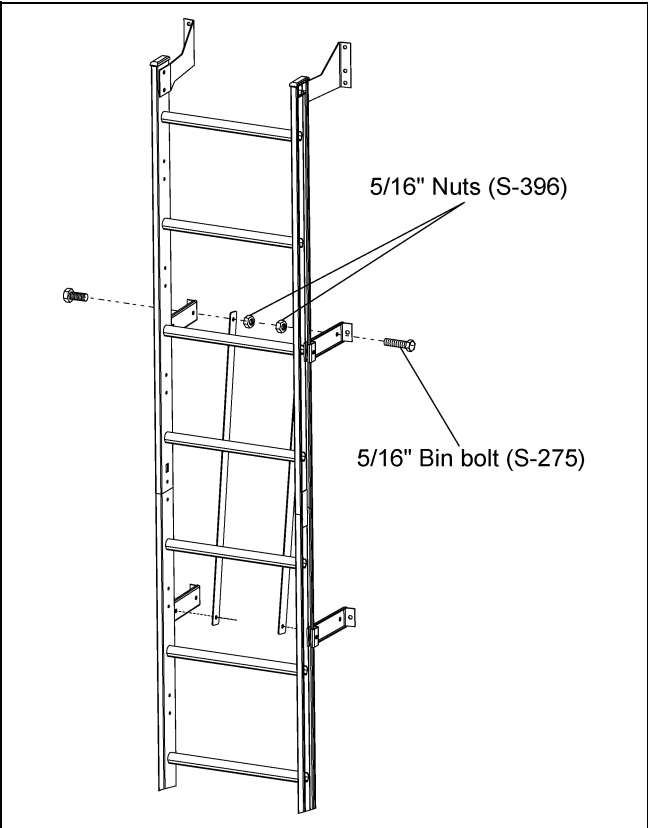


Figure 3F Un-Assembled Reinforcing Strap

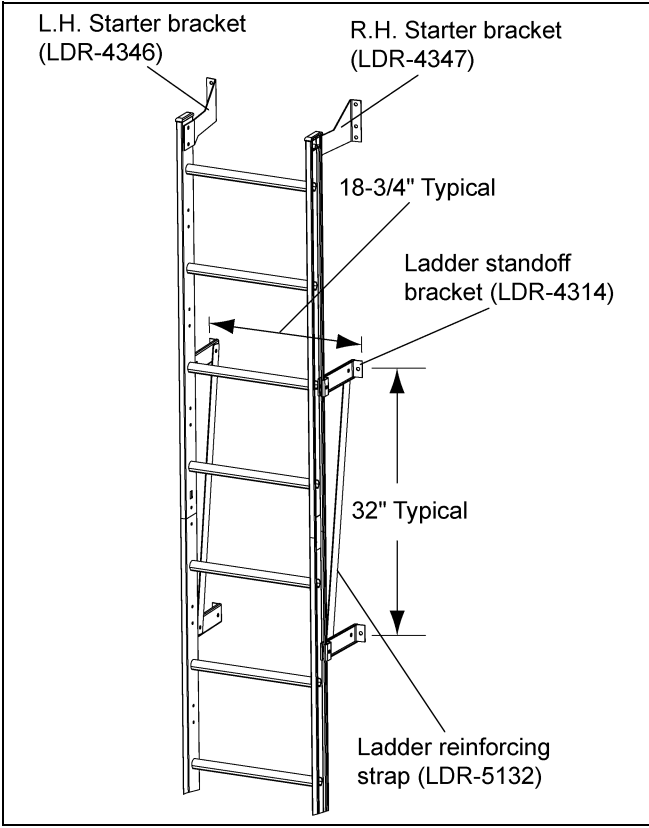


Figure 3G Assembled Reinforcing Strap

3. Inside Ladder Instructions

Inside Ladder Bottom Bracket

The bottom ladder section may need to be cut off if the length is too long. Cut the bottom section at least 12" from the bottom of the floor. Attach the bottom inside ladder brackets (LDR-5133) to the last ladder section using the six (6) holes per ladder rail. You may need to drill out the holes in the last ladder section with a 3/8" drill bit. You will also need to drill two (2) 3/8" holes through the sidewall to attach each bottom bracket to the sidewall. Use 5/16" hardware at all attachment points.

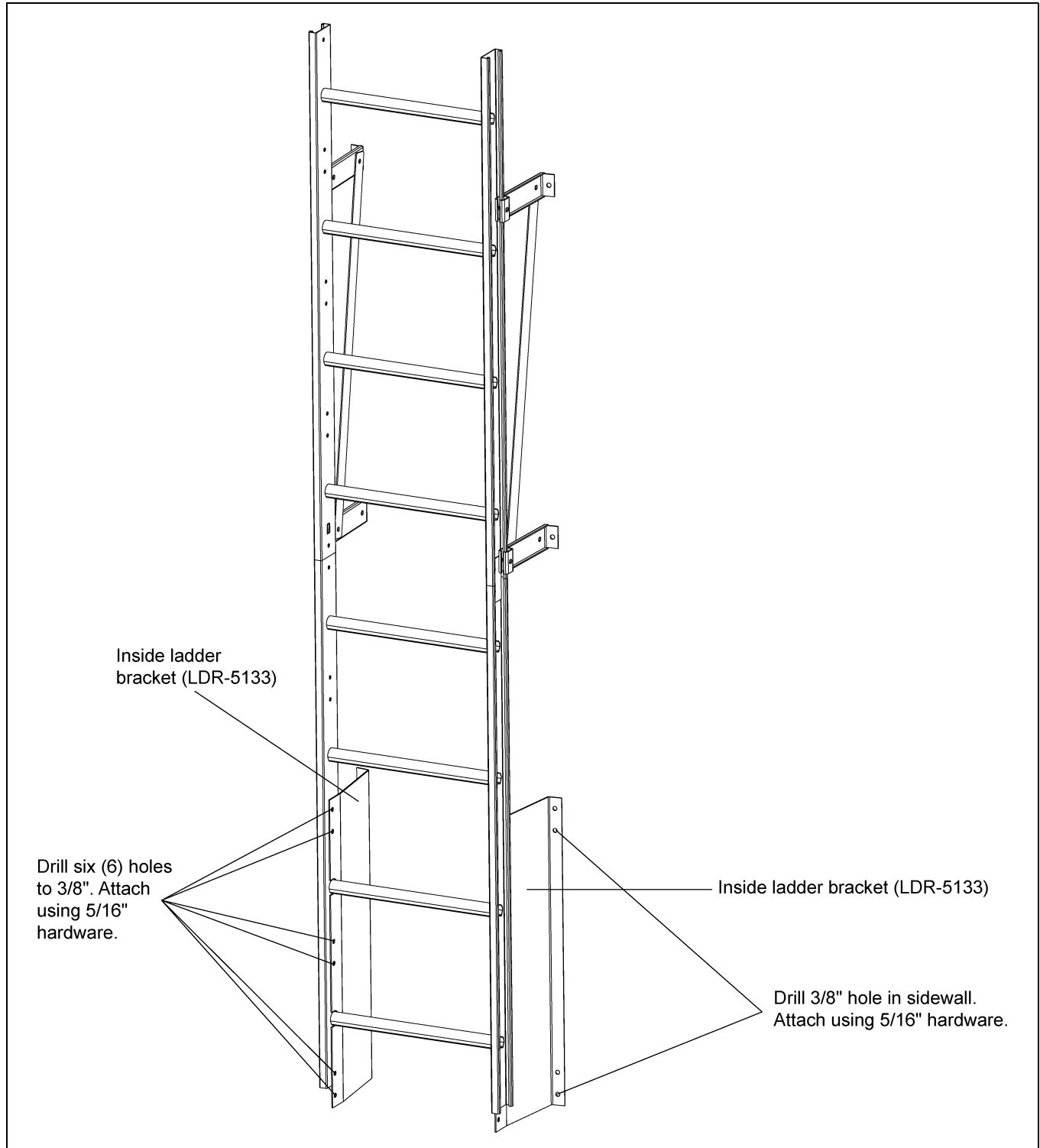


Figure 3H

4.00" Commercial Stiffened

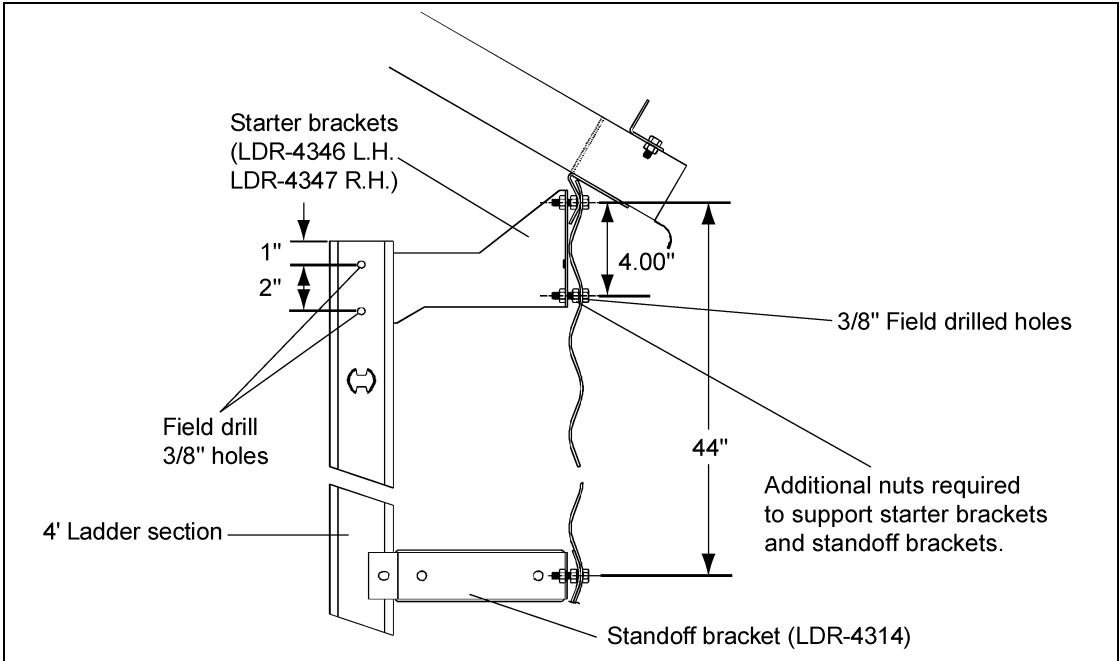


Figure 3I Inside Starter Bracket and Ladder Placement

NOTE: Be sure to push ladder sections up and tighten. Do not tighten ladder section splices with ladder sections hanging under their own weight.

Now all standoff brackets and straps must be installed every 44" and attached to each 4' section required.

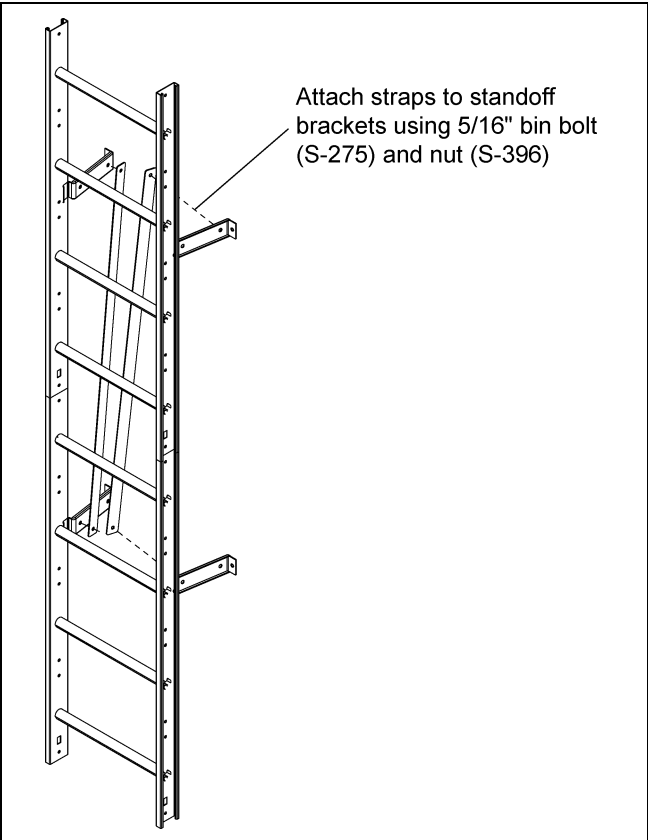


Figure 3J Un-Assembled Reinforcing Strap

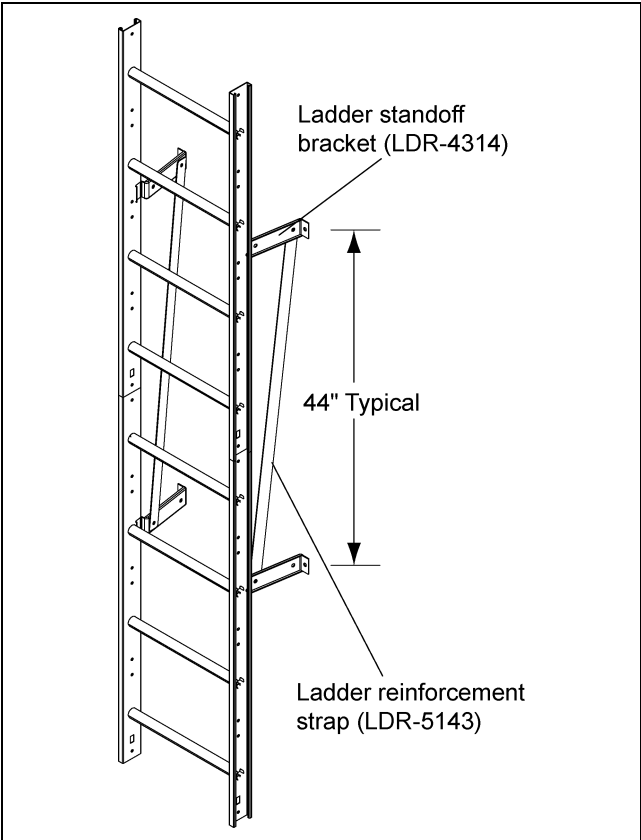


Figure 3K Assembled Reinforcing Strap

3. Inside Ladder Instructions

Inside Ladder Bottom Bracket

The bottom ladder section may need to be cut off if the length is too long. Cut the bottom section at least 12" from the bottom of the floor. Attach the bottom inside ladder brackets (LDR-5133) to the last ladder section using the six (6) holes per ladder rail. You may need to drill out the holes in the last ladder section with a 3/8" drill bit. You will also need to drill two (2) 3/8" holes through the sidewall to attach each bottom bracket to the sidewall. Use 5/16" hardware at all attachment points.

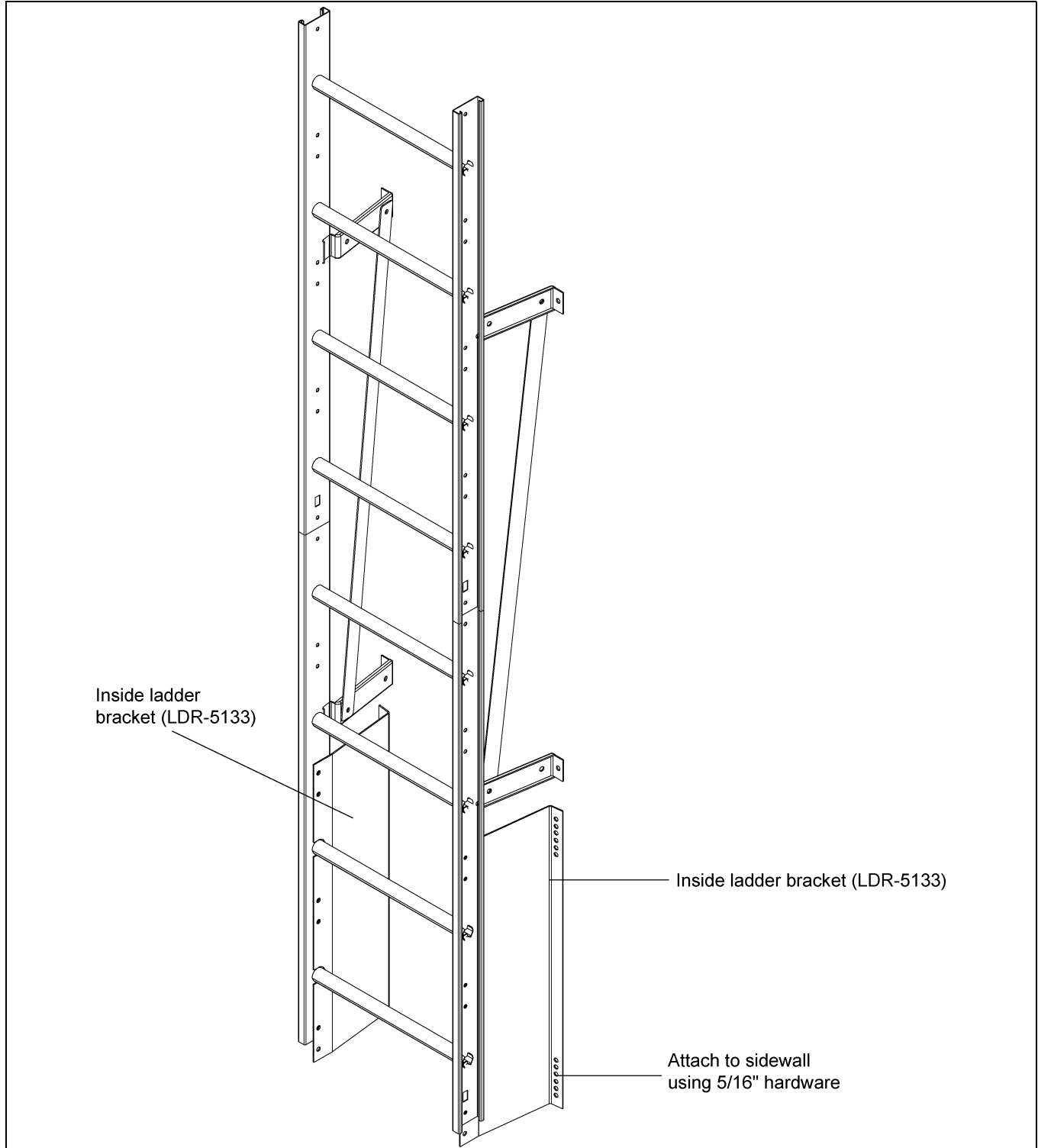


Figure 3L

4.00" Corrugated Farm Bin

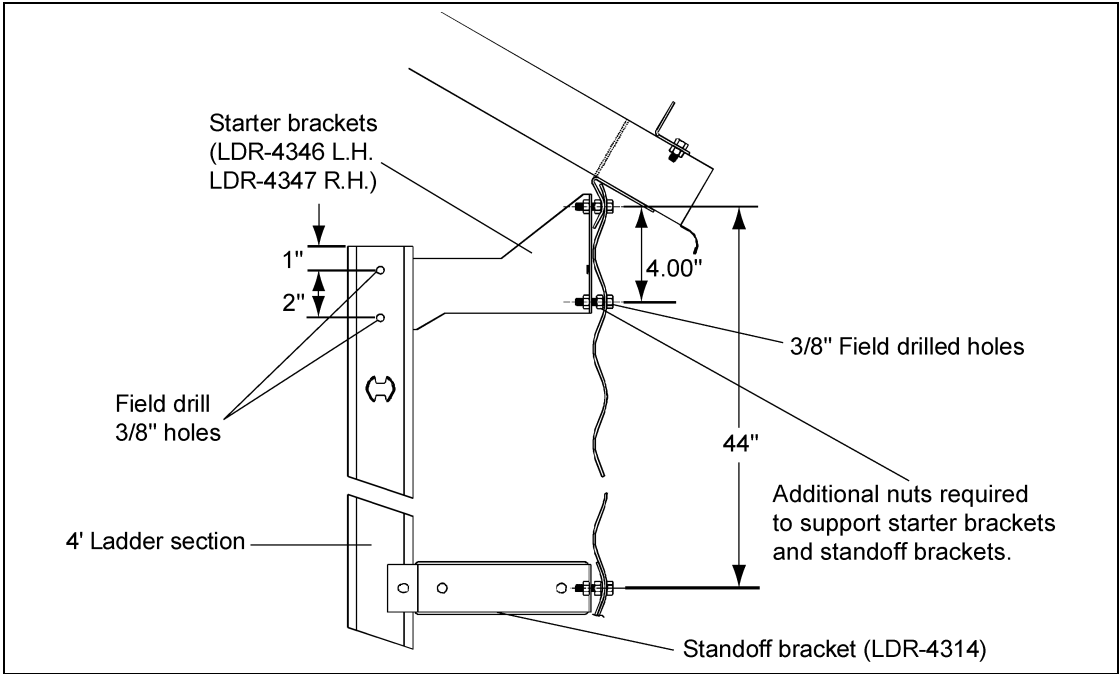


Figure 3M Inside Starter Bracket and Ladder Placement

NOTE: Be sure to push ladder sections up and tighten. Do not tighten ladder section splices with ladder sections hanging under their own weight.

Now all standoff brackets and straps must be installed every 44" and attached to each 4' section required.

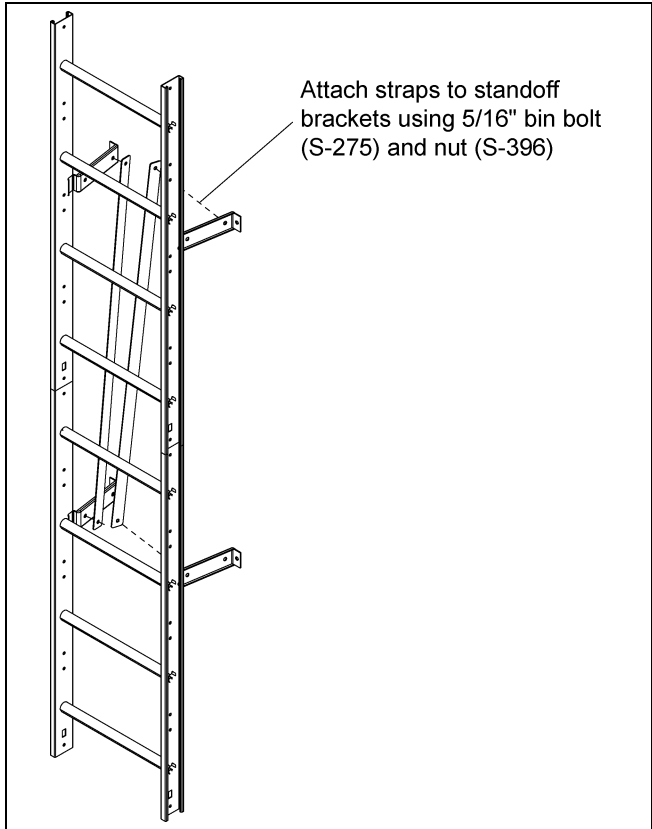


Figure 3N Un-Assembled Reinforcing Strap

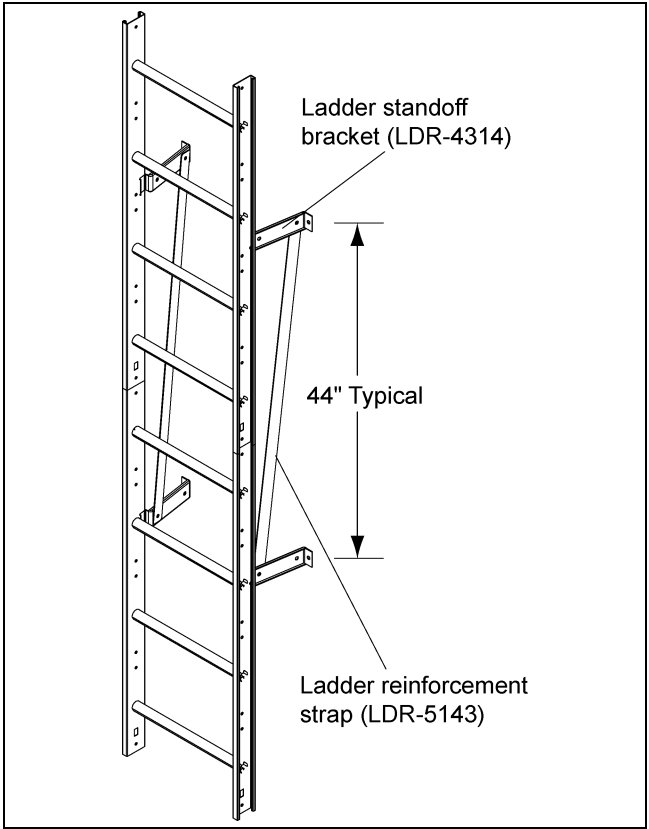


Figure 3O Assembled Reinforcing Strap

3. Inside Ladder Instructions

Inside Ladder Bottom Bracket

The bottom ladder section may need to be cut off if the length is too long. Cut the bottom section at least 12" from the bottom of the floor. Attach the bottom inside ladder brackets (LDR-5133) to the last ladder section using the six (6) holes per ladder rail. You may need to drill out the holes in the last ladder section with a 3/8" drill bit. You will also need to drill two (2) 3/8" holes through the sidewall to attach each bottom bracket to the sidewall. Use 5/16" hardware at all attachment points.

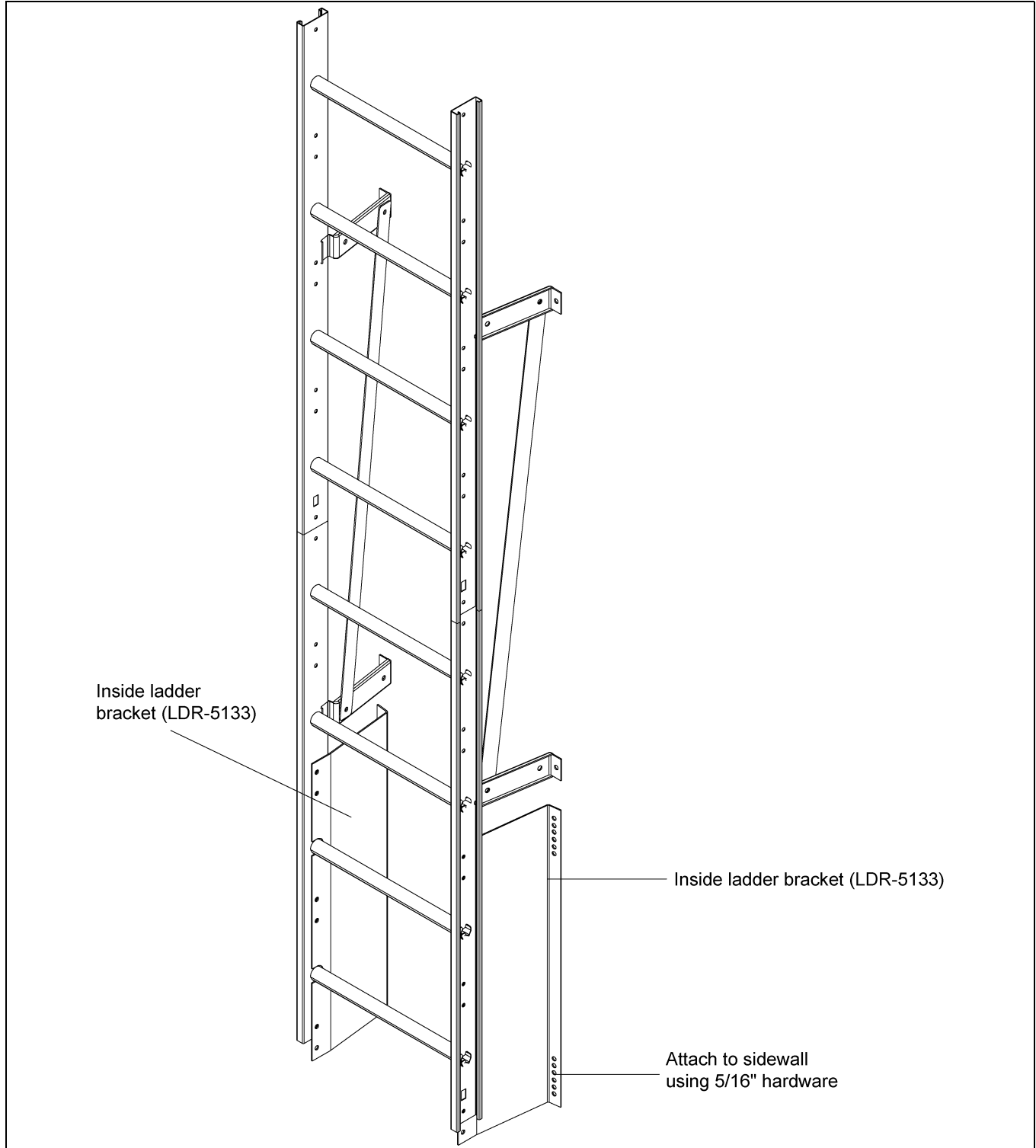


Figure 3P

GSI Group, LLC Limited Warranty

The GSI Group, LLC ("GSI") warrants products which it manufactures to be free of defects in materials and workmanship under normal usage and conditions for a period of 12 months after sale to the original end-user or if a foreign sale, 14 months from arrival at port of discharge, whichever is earlier. The end-user's sole remedy (and GSI's only obligation) is to repair or replace, at GSI's option and expense, products that in GSI's judgment, contain a material defect in materials or workmanship. Expenses incurred by or on behalf of the end-user without prior written authorization from the GSI Warranty Group shall be the sole responsibility of the end-user.

Warranty Extensions:

The Limited Warranty period is extended for the following products:

	Product	Warranty Period	
AP Fans and Flooring	Performer Series Direct Drive Fan Motor	3 Years	* Warranty prorated from list price: 0 to 3 years - no cost to end-user 3 to 5 years - end-user pays 25% 5 to 7 years - end-user pays 50% 7 to 10 years - end-user pays 75%
	All Fiberglass Housings	Lifetime	
	All Fiberglass Propellers	Lifetime	
Cumberland Feeding/Watering Systems	Feeder System Pan Assemblies	5 Years **	** Warranty prorated from list price: 0 to 3 years - no cost to end-user 3 to 5 years - end-user pays 50%
	Feed Tubes (1-3/4" and 2.00")	10 Years *	
	Centerless Augers	10 Years *	
	Watering Nipples	10 Years *	
Grain Systems	Grain Bin Structural Design	5 Years	
Grain Systems Farm Fans Zimmerman	Portable and Tower Dryers	2 Years	† Motors, burner components and moving parts not included. Portable dryer screens included. Tower dryer screens not included.
	Portable and Tower Dryer Frames and Internal Infrastructure †	5 Years	

GSI further warrants that the portable and tower dryer frame and basket, excluding all auger and auger drive components, shall be free from defects in materials for a period of time beginning on the twelfth (12th) month from the date of purchase and continuing until the sixtieth (60th) month from the date of purchase (extended warranty period). During the extended warranty period, GSI will replace the frame or basket components that prove to be defective under normal conditions of use without charge, excluding the labor, transportation, and/or shipping costs incurred in the performance of this extended warranty.

Conditions and Limitations:

THERE ARE NO WARRANTIES THAT EXTEND BEYOND THE LIMITED WARRANTY DESCRIPTION SET FORTH ABOVE. SPECIFICALLY, GSI MAKES NO FURTHER WARRANTY OF ANY KIND, EXPRESS OR IMPLIED, INCLUDING, WITHOUT LIMITATION, WARRANTIES OF MERCHANTABILITY OR FITNESS FOR A PARTICULAR PURPOSE OR USE IN CONNECTION WITH: (I) PRODUCT MANUFACTURED OR SOLD BY GSI OR (II) ANY ADVICE, INSTRUCTION, RECOMMENDATION OR SUGGESTION PROVIDED BY AN AGENT, REPRESENTATIVE OR EMPLOYEE OF GSI REGARDING OR RELATED TO THE CONFIGURATION, INSTALLATION, LAYOUT, SUITABILITY FOR A PARTICULAR PURPOSE, OR DESIGN OF SUCH PRODUCTS.

GSI shall not be liable for any direct, indirect, incidental or consequential damages, including, without limitation, loss of anticipated profits or benefits. The sole and exclusive remedy is set forth in the Limited Warranty, which shall not exceed the amount paid for the product purchased. This warranty is not transferable and applies only to the original end-user. GSI shall have no obligation or responsibility for any representations or warranties made by or on behalf of any dealer, agent or distributor.

GSI assumes no responsibility for claims resulting from construction defects or unauthorized modifications to products which it manufactured. Modifications to products not specifically delineated in the manual accompanying the equipment at initial sale will void the Limited Warranty.

This Limited Warranty shall not extend to products or parts which have been damaged by negligent use, misuse, alteration, accident or which have been improperly/inadequately maintained. This Limited Warranty extends solely to products manufactured by GSI.

Prior to installation, the end-user has the responsibility to comply with federal, state and local codes which apply to the location and installation of products manufactured or sold by GSI.

This equipment shall be installed in accordance with the current installation codes and applicable regulations, which should be carefully followed in all cases. Authorities having jurisdiction should be consulted before installations are made.

G S I G R O U P



GSI Group
1004 E. Illinois St.
Assumption, IL 62510-0020
Phone: 1-217-226-4421
Fax: 1-217-226-4420
www.gsiag.com