

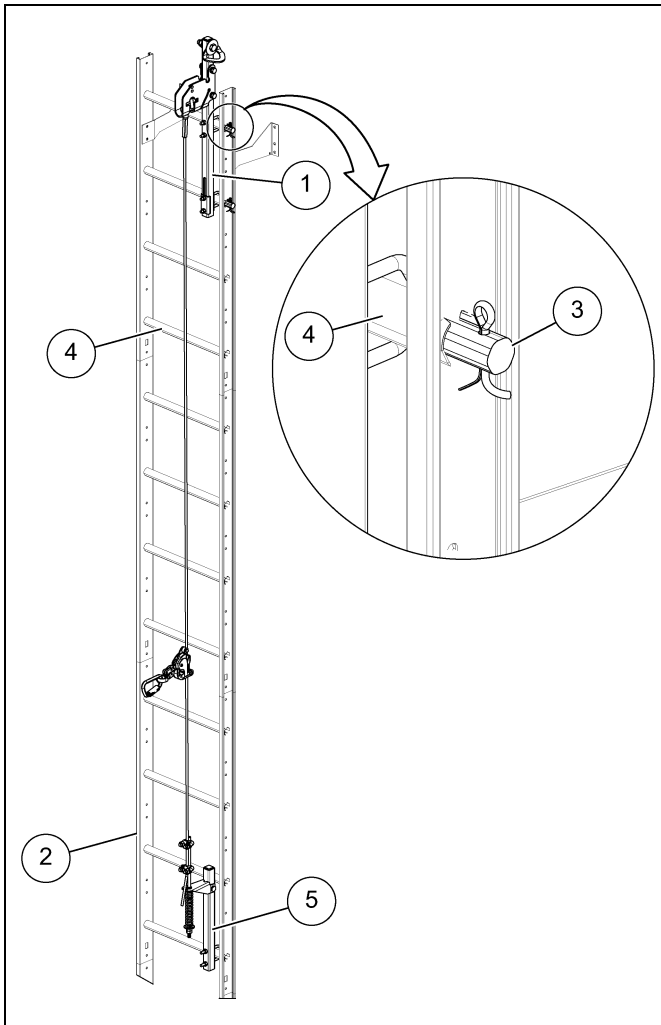


**Read and follow all safety directions and user instructions provided by the ladder fall protection system manufacturer (DBI SALA / 3M) prior to installation and use of this system.**

**All users must be fully trained in the safe installation and operation of this system. Misuse of this system could result in serious injury or death.**

The following guidelines must be understood and followed when using the DBI SALA / 3M ladder fall protection system with a GSI, AP or Cumberland fixed ladder:

1. Ensure that the ladder, mounting brackets and structure are in good repair and are capable of supporting this system.
2. Utilize the solid rod inserts (3) provided in the bracket package when installing the system on hollow rung ladders (2). These inserts (3) must be installed inside the hollow ladder rungs (4) where the top bracket (1) of the ladder fall protection system is mounted to the ladder (2). (See Figure 1.)



Ref #	Description
1	Top Bracket
2	Ladder
3	Solid Rod Inserts
4	Ladder Rungs
5	Bottom Bracket

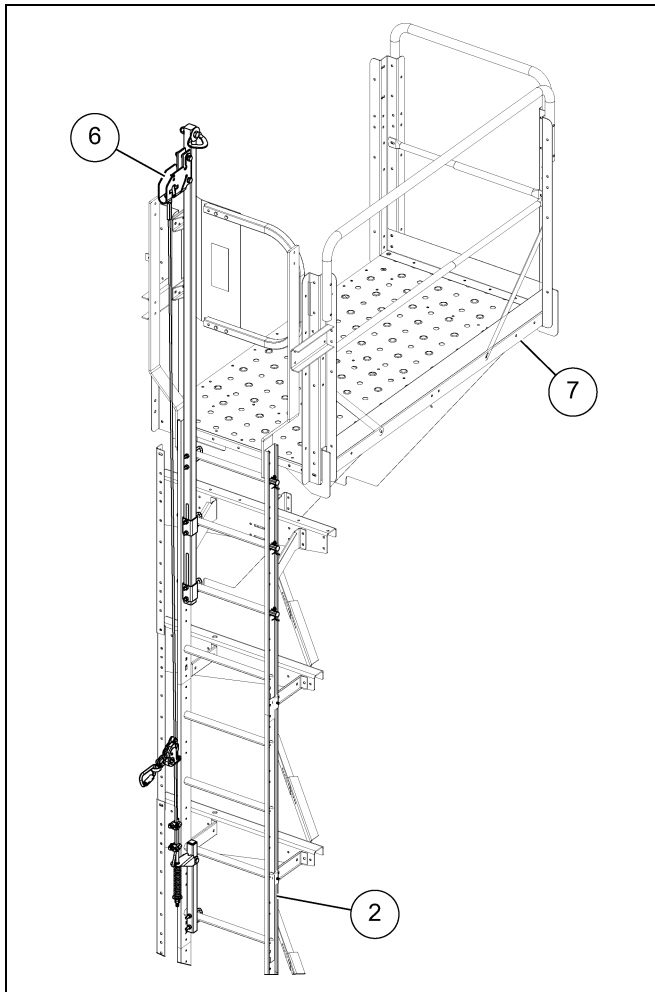
**Figure 1** Solid Rod Inserts Used on Hollow Rung Ladder



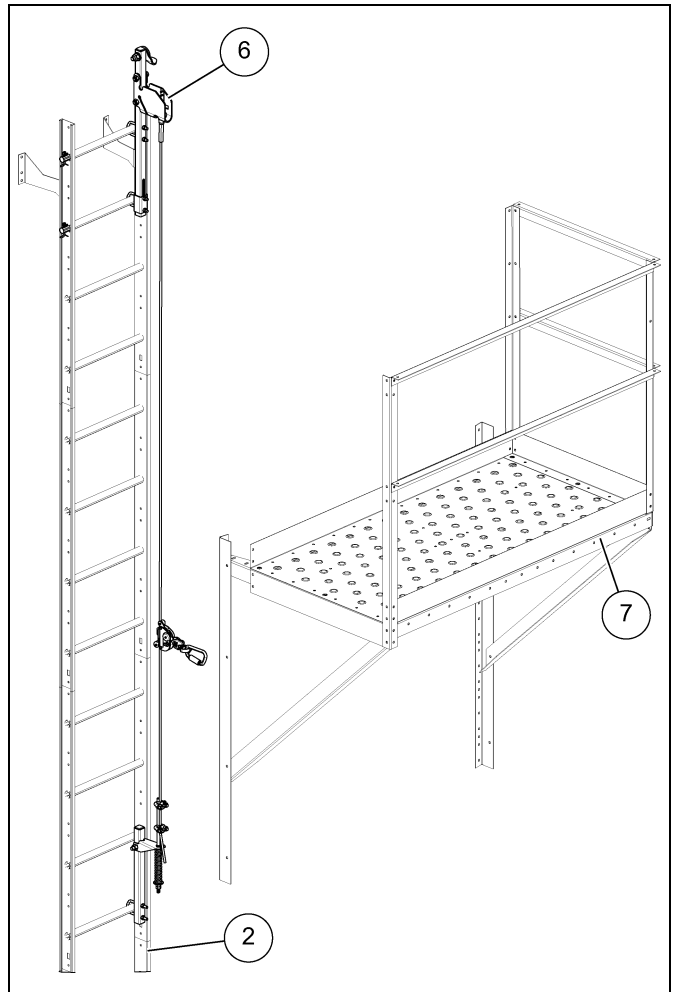
# Ladder Fall Protection System

- Use the standard bracket package and mount the system to the right or left of center of the ladder for ladders that provide side-step access to a platform. (See Figure 3.)

Use the extended bracket package and mount the system to the right or left of center of the ladder for ladders that provide step-through access. (See Figure 2.)



**Figure 2** Extended Bracket Package - Step-through Access



**Figure 3** Standard Bracket Package - Side-Step Access

Ref #	Description
2	Ladder
6	Fall Protection System
7	Platform

- If the ladder fall protection system has been subjected to a fall arrest or impact force, the ladder, mounting brackets and structure must be inspected by a competent person prior to being used again. If any damage is detected, replace the equipment before resuming use.
- Do not exceed two users at one time when using the ladder fall protection system on a GSI, AP or Cumberland fixed ladder.