

Figure 1 Flange Nut Usage

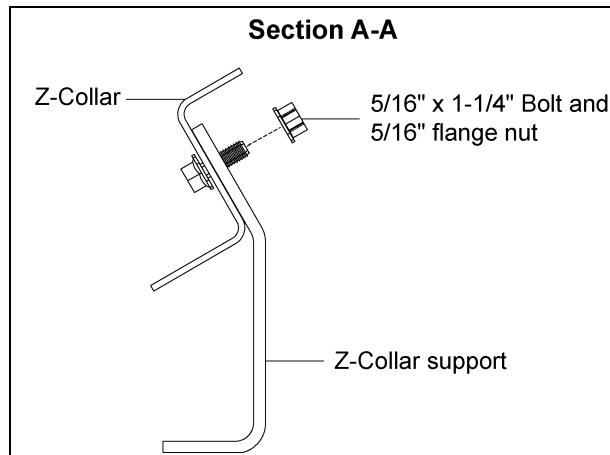
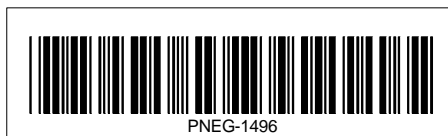


Figure 2 Center Collar



Flange Nut Insert

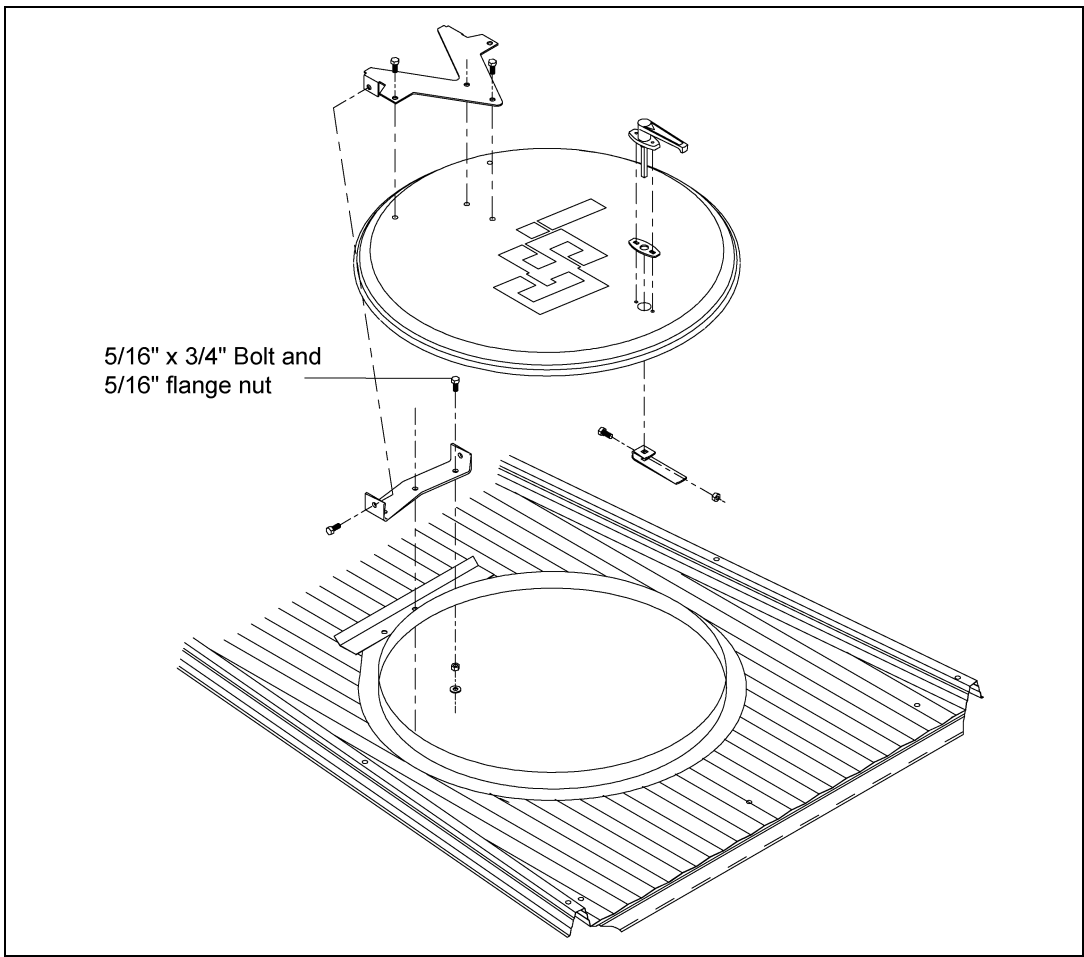


Figure 3 Manway Cover Detail

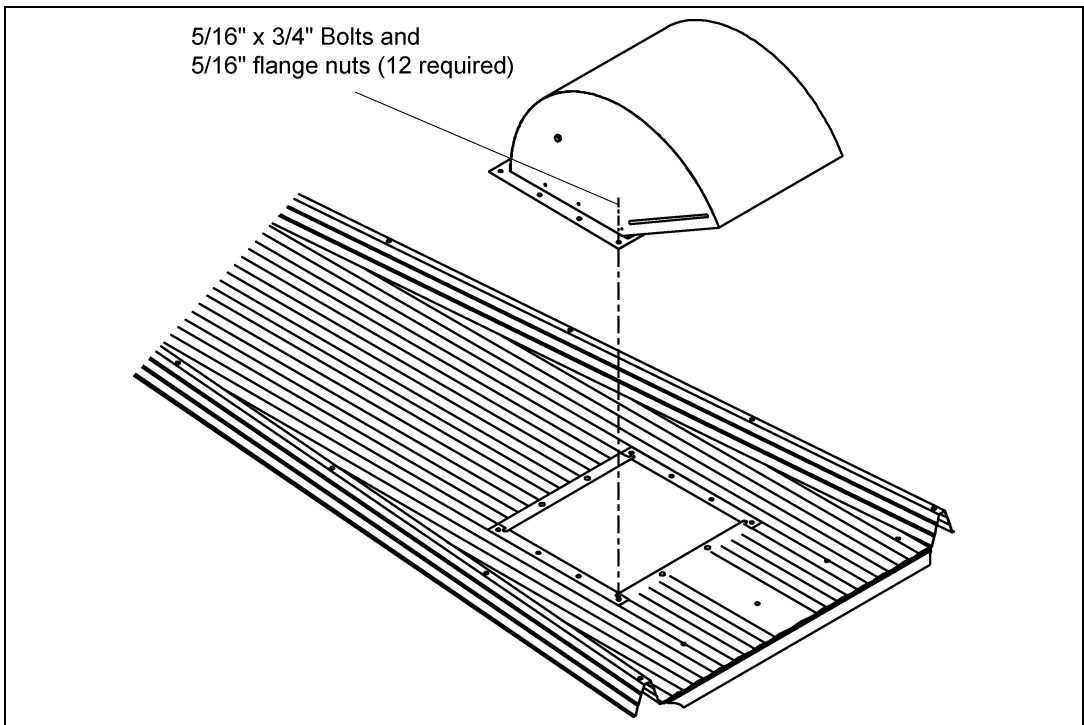


Figure 4 Auto-Vent Detail