



1. Panels (A) must be installed counterclockwise due to new over rib (B) and under rib (C).
 (See Figure 1.)
2. New part numbers for roof panels, flashing, exhauster plates and exhauster flashing.
 (See table below.)

NOTE: Do not tighten the bolts until the roof is completely assembled. Make sure to overlap the adjacent panels in *counterclockwise* direction as shown in Figure 1.

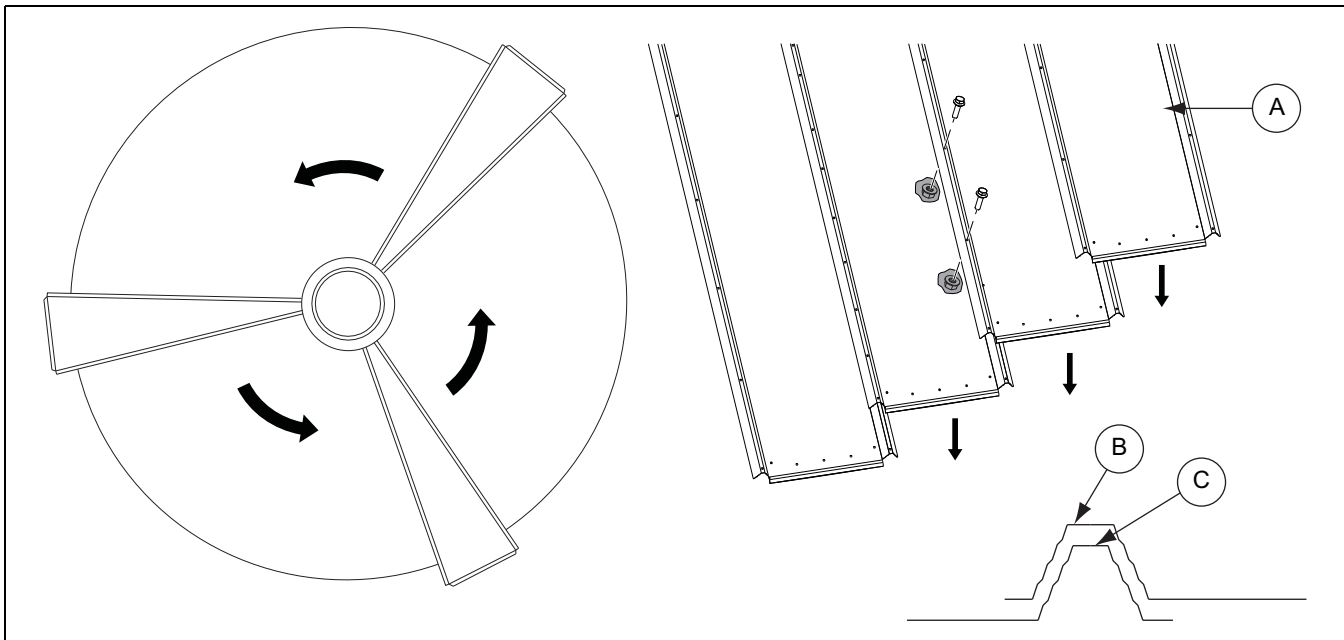


Figure 1 Roof Panels Installation Direction

Ref #	Description
A	Roof Panel
B	Over Rib
C	Under Rib

60' Roof Panel Change Cross Reference Table

Old Part #	New Part #	Description
CTR-0184	CTR-0392	Roof Panel
CTR-0290	CTR-0760	Manway Panel
CTR-1159	CTR-1208	Flashing
CTR-0186	CTR-0720	Eave Angle
CTR-0203	CTR-1299	Exhauster Plate
CTR-0202	CTR-1298	Exhauster Flashing
CTR-0363	CTR-1416	Non-GSI Exhauster Plate

Date: 01-23-15

