

Figure 1

NOTE: Place a neoprene sealing washer between sidewall and corrugation spacer.

Ref #	Part #	Description
A	S-7485	Connect with Flange Bolt 3/8"-16 x 1" JS500 Grade 8 or Grade 8.2
B	S-7488	Flange Bolt 3/8"-16 x 1-1/2" JS500 Grade 8 or Grade 8.2 with Sealing Washer
C	S-7041	Corrugation Spacer
D	CRP-4608	3 Piece Center Collar
E	CRP-7252	Temp Cable Center Collar Attachment Bracket Left
F	CRP-7255	Temp Cable Center Collar Attachment Bracket Right
G	CRP-7258	Short Top Stiffener Bracket
H	CRP-7264	Special Yanmar 18' Roof Rafter
I		Top Sidewall Ring
J		Top Sidewall Stiffener
K		Small Eave Clip
L		Two (2) 1/4" x 1" Hex Washer Head Self-Drilling Screws



18' Diameter Roof Rafter Instruction Sheet

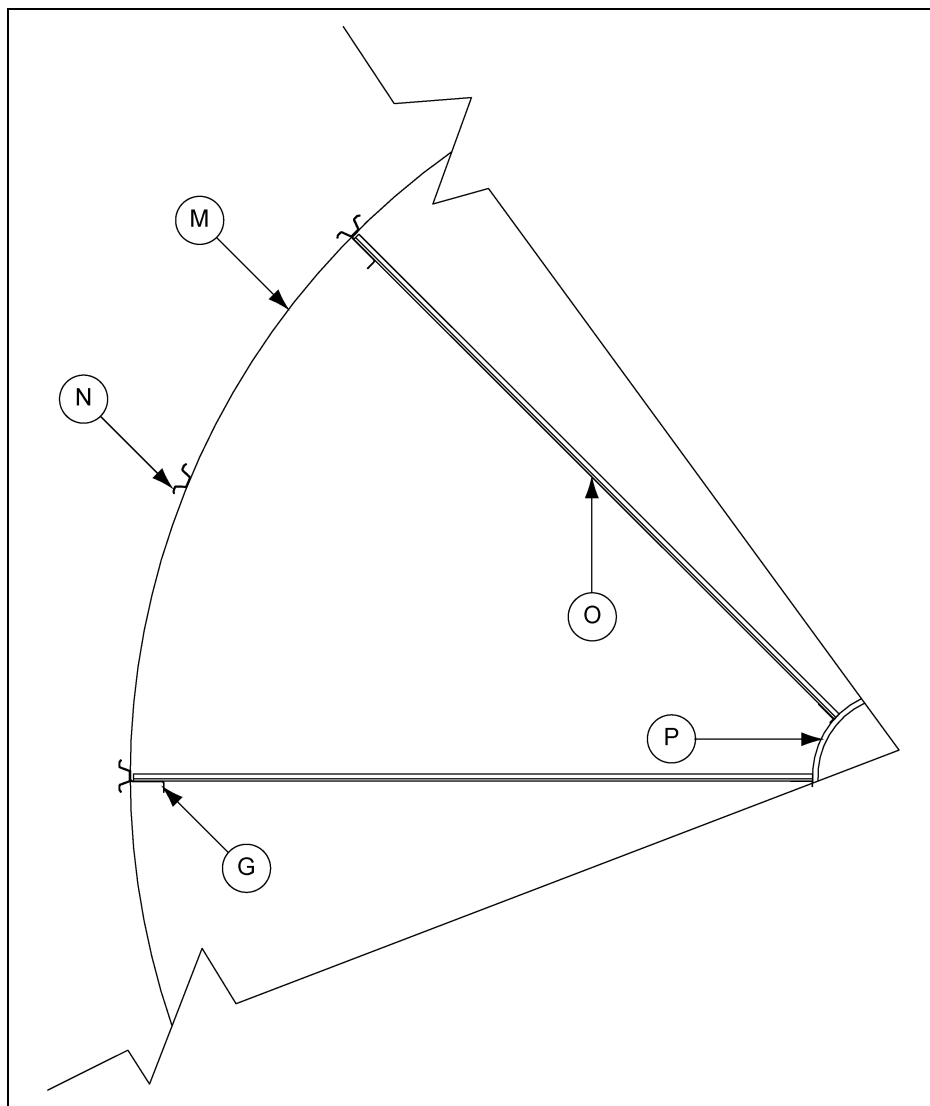


Figure 2

Ref #	Description
G	Short Top Stiffener Bracket (CRP-7258)
M	Tank Sidewall
N	Sidewall Stiffener Column (12)

Ref #	Description
O	Roof Rafter (Six (6) Equally Spaced)
P	Center Collar (CRP-4608)

NOTE:

1. After assembling the first ring of sidewall, the stiffener brackets can be bolted to the sidewall with the top stiffener and eave clips.
2. The clips can be pre-assembled to the top end of the roof truss.

NOTE: Before installing the roof rafters, install the roof panels between where the roof rafters will be, this will align the center collar properly.

3. As roof panels are installed place one roof truss in every third roof rib. Bolt truss at bottom to wall bracket and at top to center collar. Refer to [Figure 2](#) for details.
4. For general roof installation, refer to the 30° roof construction manual (PNEG-4092).