



Wire Grill Guard Roof Vent Assembly and Installation Instructions

The following instructions are for assembling and installing the wire grill guard roof vent. Before beginning assembly, check the packing list to ensure all components have been received. The unit is easiest assembled in the **upside down position** as shown in [Figure 1](#). Locate the roof vent as shown in [Figure 5](#).

Assembly

1. Turn one (1) roof vent housing (MIS-6778) upside down. ([See Figure 1.](#))
2. Insert 5/16" x 1-1/4" bin bolt with neoprene washer through the hole in the side of the roof vent. Place jamb nut onto the bolt and tighten. ([See Figure 1.](#))
3. Slide one eyelet of grill guard onto the 5/16" bin bolt.
4. Insert 5/16" x 1-1/4" bin bolt with neoprene washer through the other side of the roof vent, through jamb nut and other eyelet of grill guard. Tighten nut against vent housing side.
5. Apply a bead of tube caulking around the three (3) housing sides of the roof vent where it meets the hold down angle.
6. Place hold down angle (MIS-4404) on the assembled roof vent. The wide end of the hold down angle must face the vent discharge. Once aligned, screw nine (9) #10 self drilling (S-280) screws through the roof housing and into the hold down angle. ([See Figure 2.](#))

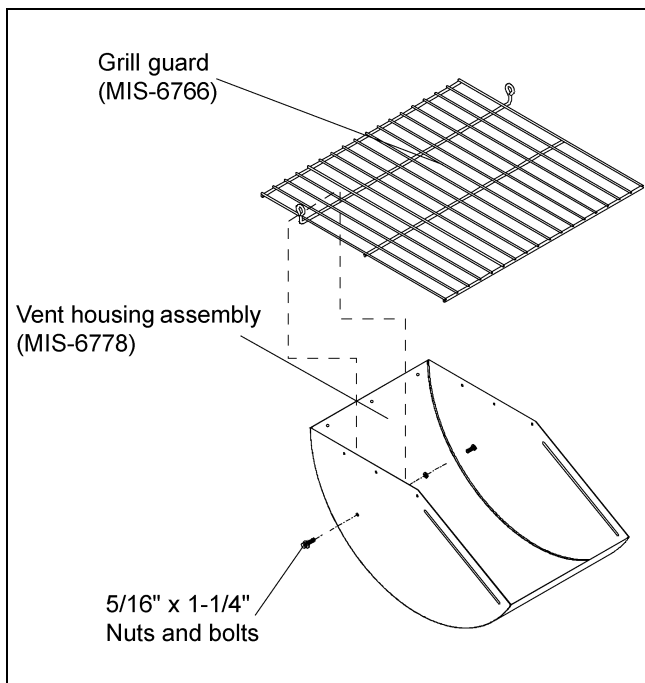


Figure 1

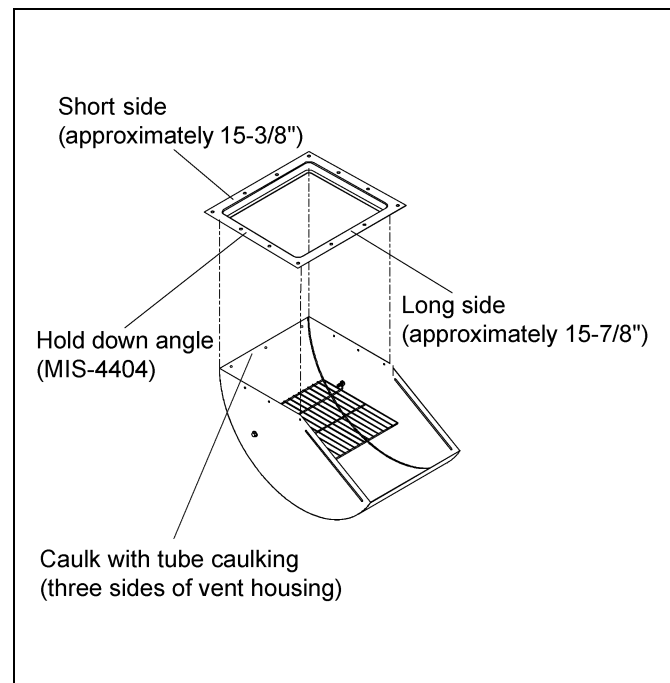


Figure 2



Wire Grill Guard Roof Vent

Installation

7. If the roof sheet does not have a prepunched hole for the roof vent, a hole must be cut. Cut the hole to match the roof vent. The inside edge of the hole should be approximately 15" from the eave. (See [Figure 5](#).)
8. Place the three (3) foam strips on roof sheet, as shown in [Figure 4](#). Position roof vent over foam strips and bolt down using 5/16" x 3/4" bin bolts and nuts. (NOTE: See [Figure 5](#) for lower two (2) bolts of vent).

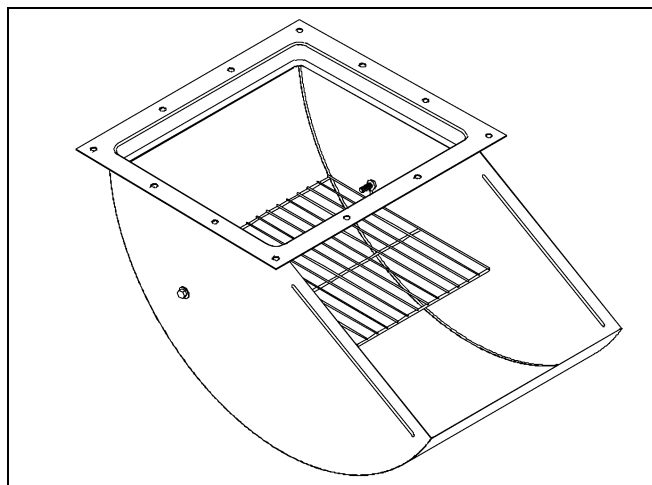


Figure 3

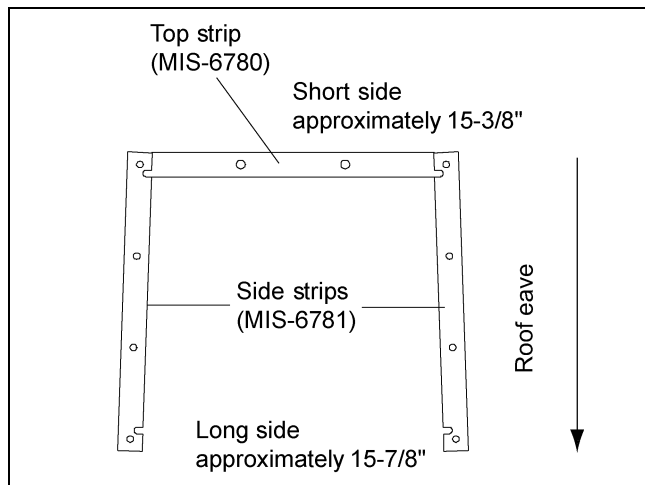


Figure 4

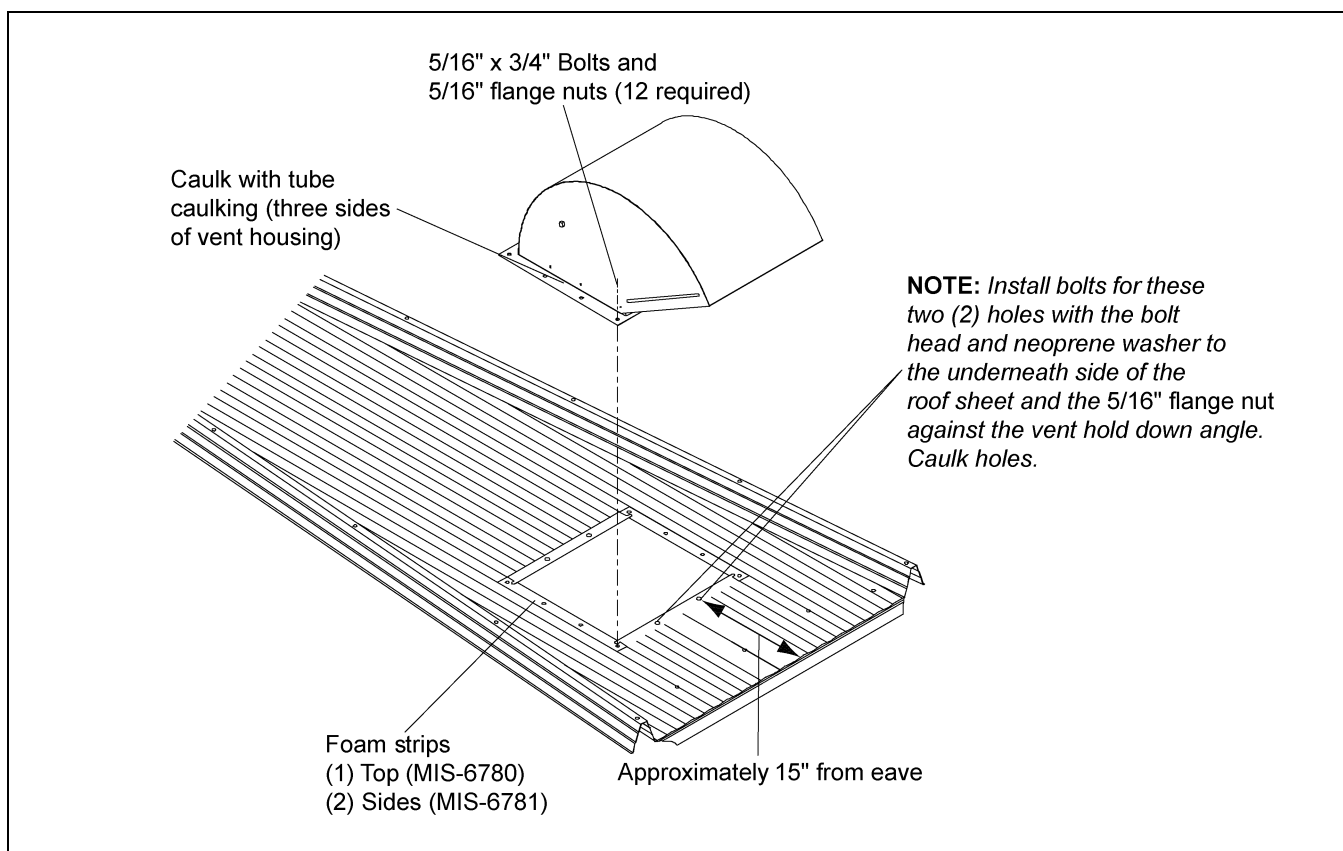


Figure 5