



Assembly and Installation Instructions

The following instructions are for assembling and installing the auto-vent. First, check the packing list to ensure all components have been shipped. The unit is easiest assembled in the **upside down position** as shown in [Figure 1](#). Roof vent location should be as shown in [Figure 5](#).

Assembly

1. Take all parts out of the shipping box and check if all parts are present.
2. Turn one (1) roof vent housing (MIS-6778) upside down. ([See Figure 1](#).)
3. Insert 5/16" x 1-1/4" bin bolt with neoprene washer through hole in the side of roof vent housing. Place jamb nut onto the bolt and tighten. ([See Figure 1](#).)
4. Slide flap assembly (MIS-6777) onto bolt. The bolt should slide through hole in the flap assembly bracket. Install with curvature cupped upward and the brackets in the position as shown.
5. Insert 5/16" x 1-1/4" bin bolt with neoprene washer through the other side of the roof vent, through jamb nut and other flap assembly bracket. Tighten nut against vent housing side.
6. Apply a bead of tube caulking around three (3) housing sides of the roof vent where it meets the hold down angle.
7. Place hold down angle (MIS-4404) on the assembled roof vent. The wide end of the hold down angle must face vent discharge. Once aligned, screw nine (9) #10 self-drilling (S-280) screws through the roof housing and into the hold down angle. ([See Figure 2 and Figure 3](#).)

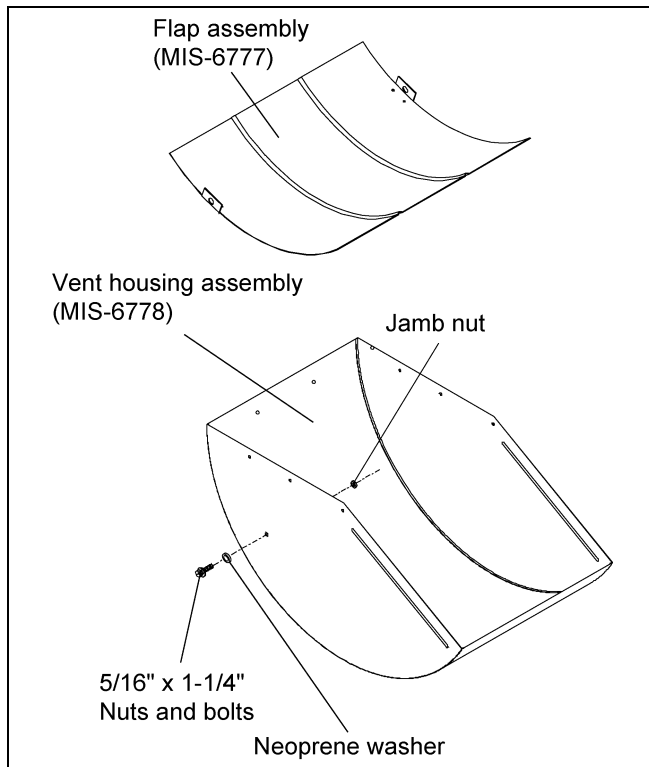


Figure 1

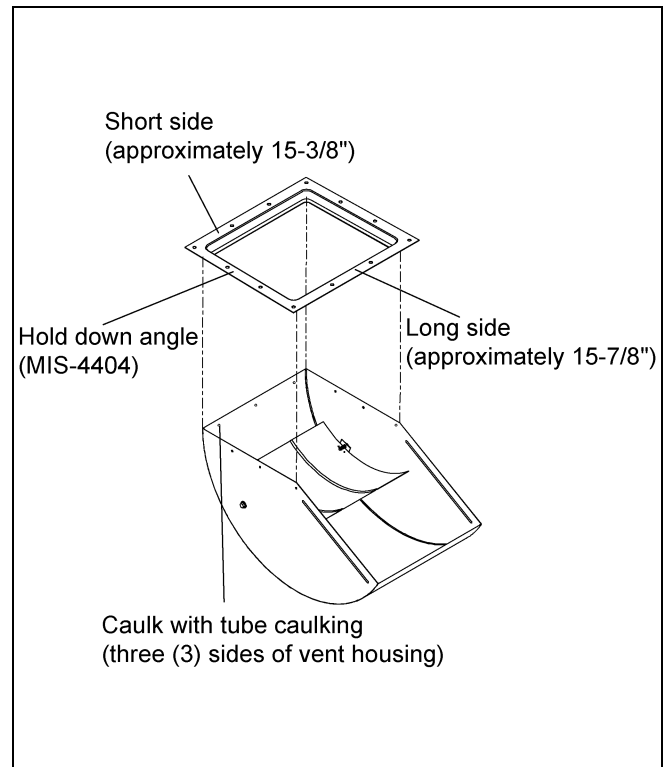


Figure 2

Date: 06-02-08

Printed in the U.S.A.
Copyright © 2008 by GSI Group
www.gsiag.com



PNEG-268

PNEG-268

Page 1 of 2

Auto-Vent Installation

Installation

8. If the roof sheet does not have a prepunched hole for the roof vent, a hole must be cut. The cut hole should match the roof vent. The hole inside edge should be approximately 15" from the eave. (See Figure 5.)
9. Place the three (3) foam strips on roof sheet, as shown in Figure 4. Position roof vent over foam strips and bolt down using 5/16" x 3/4" bin bolts and 5/16" flange nuts. (NOTE: See instructions below for lower two (2) bolts of vent.)

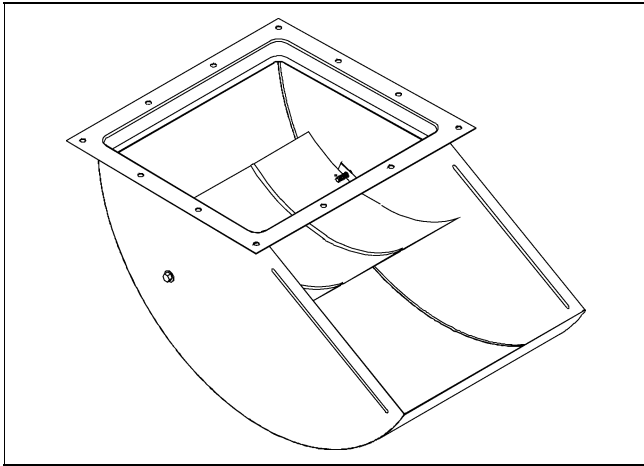


Figure 3

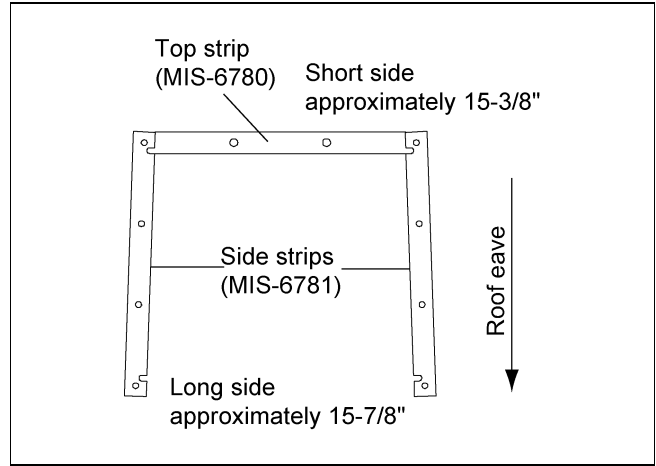


Figure 4

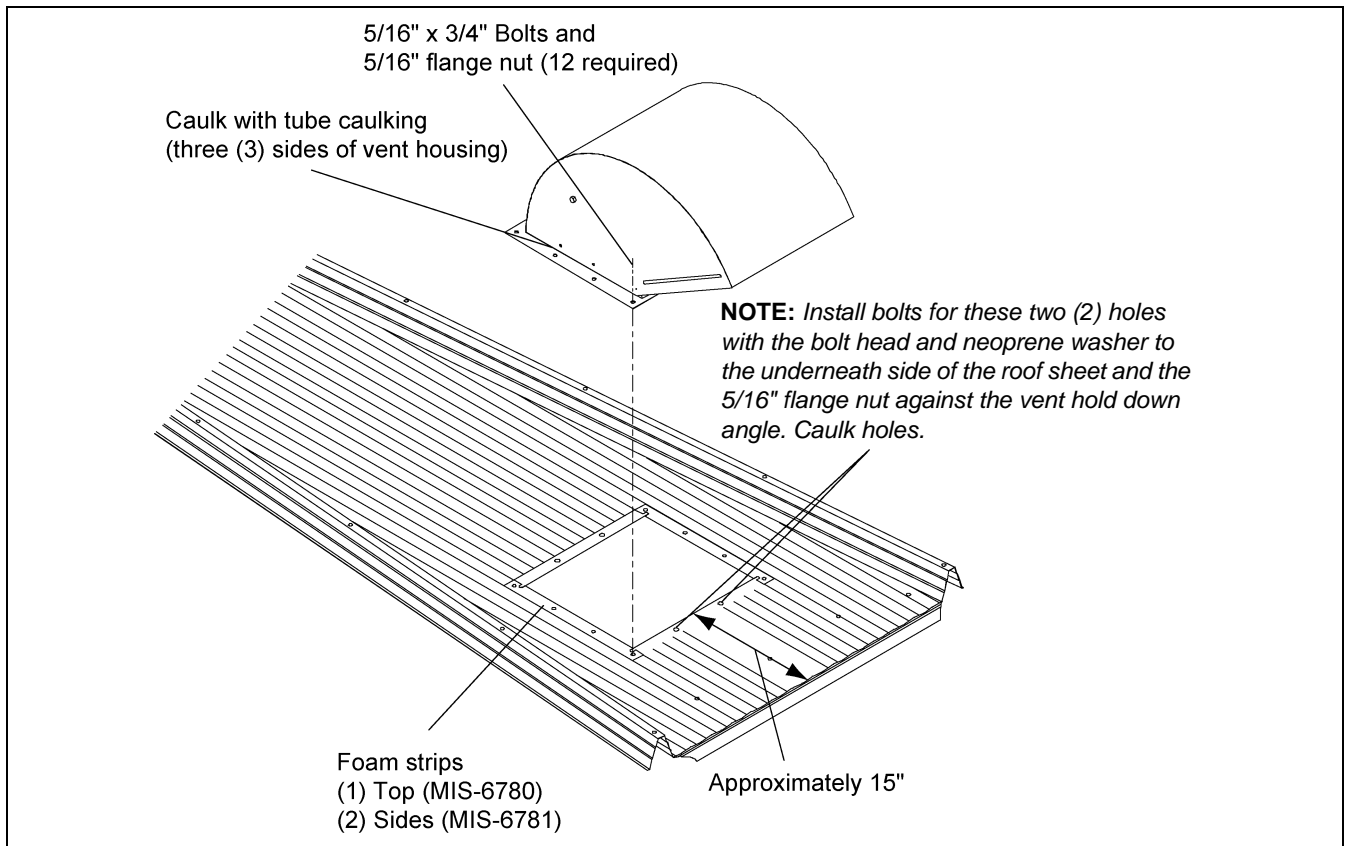


Figure 5