



STEP 1: Placement of manual roof vent lid bracket assemble manway as denoted in the roof manual (PNEG-030).

Attach lid bracket with 5/16" x 3/4" bolts (S-275) and 5/16"-18 nuts (S-396). *(See Figure 1.)*

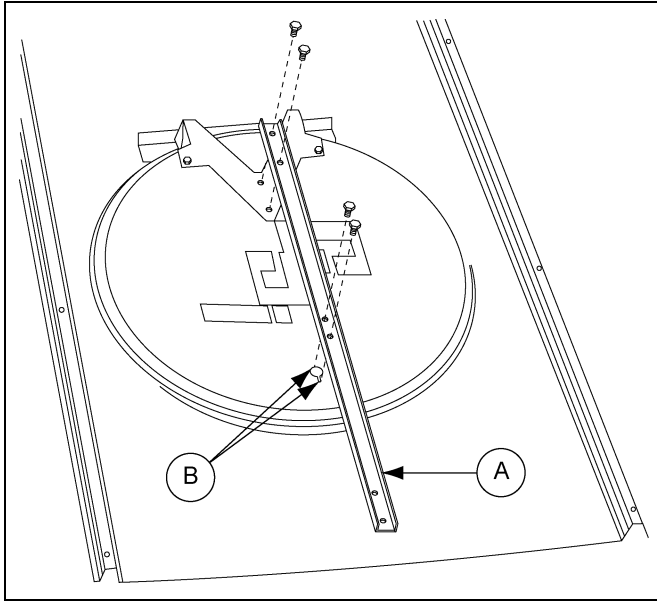


Figure 1

Ref #	Part #	Description
A	MIS-6887	Manual Vent Lid Bracket
B		Field Drill Holes to 3/8" Diameter

STEP 2: Placement of manual roof vent hoop.

Attach brackets with 5/16"-18 x 1-1/4" bolts (S-277) (B) and 5/16"-18 nuts (S-396) (C).

Secure one bracket to rib, then fasten other side. bottom hole in bracket bolts to bottom hole in roof panel rib. *(See Figure 2.)*

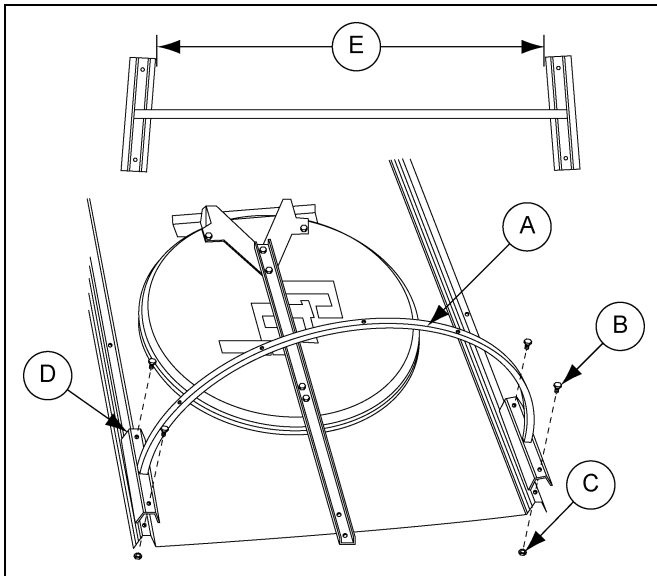


Figure 2

Ref #	Part #	Description
A	MIS-6886	Manual Vent Hoop
B	S-277	Bolt, HHBIN 5/16"-18 x 1-1/4" YDP Grade 5
C	S-396	Hex Nut 5/16"-18 YDP Grade 2
D		Field Drill 3/8" Hole in Roof Rib
E		Narrow end of brackets are to be positioned towards manway.

Date: 10-10-13

Printed in the U.S.A.
Copyright © 2013 by GSI Group
www.gsiag.com



PNEG-911

PNEG-911

Page 1 of 4

CN-308842

Manual Roof Vent Instruction Sheet

Chain Route Detail

STEP 3: Attach eye bolt to the hoop and run the lifting chain through. Crimp S-hook to end of chain and attach to the lifting bracket with 5/16" x 1-1/4" bin bolt. (See Figure 3.)

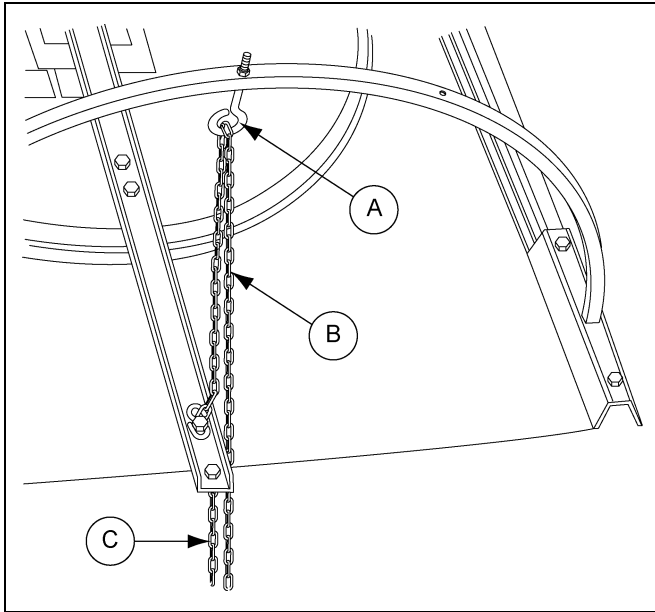


Figure 3

Ref #	Part #	Description
A	S-7062	Eye Bolt 3/8"-16 x 2-1/4" ZN
B		"Open" Chain
C		"Close" Chain

STEP 4: Crimp the S-hooks (C) to attach them to the chain and bolt. (See Figure 4.)

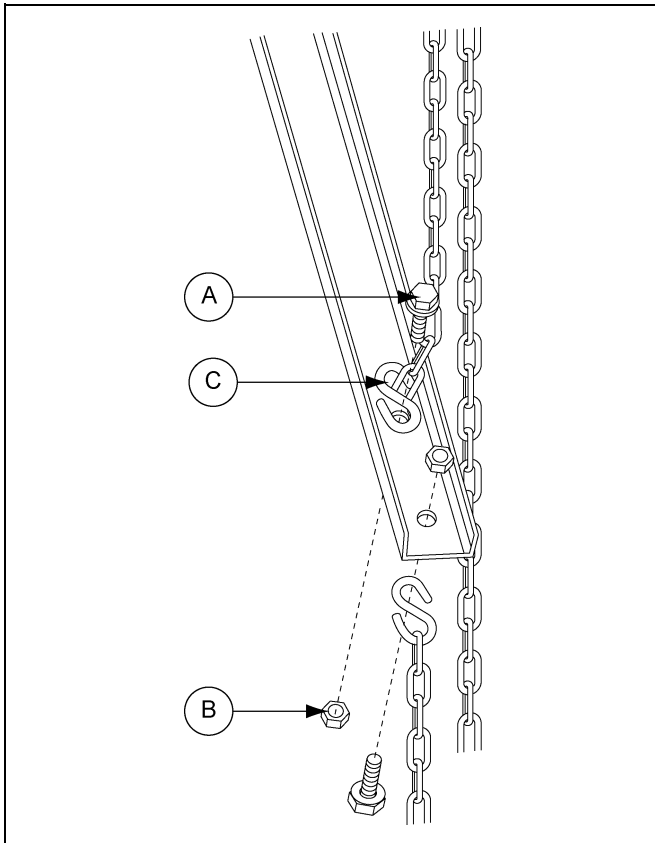


Figure 4 Chain Attachment Detail

Ref #	Part #	Description
A	S-277	Bolt, HHBIN 5/16"-18 x 1-1/4" YDP Grade 5
B	S-396	Hex Nut 5/16"-18 YDP Grade 2
C	S-4692	S-Hook

Completed Lid Assembly

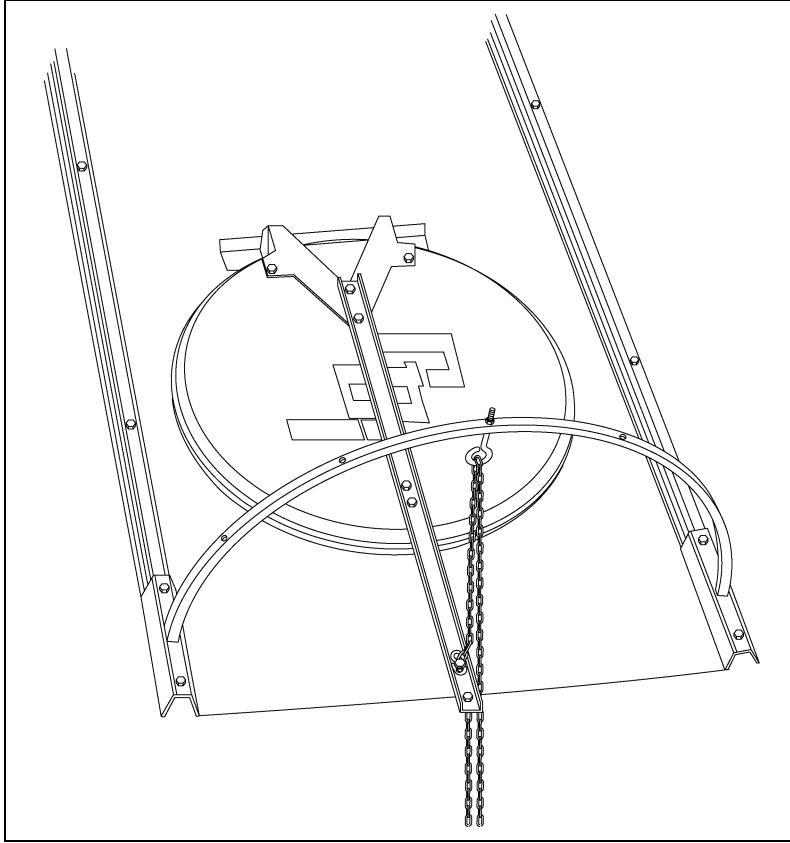


Figure 5

Chain Holder Brackets Assembly

Two (2) piece threaded nylon bushing (BLK-11876) (B) place one in each hole. (See Figure 6.)

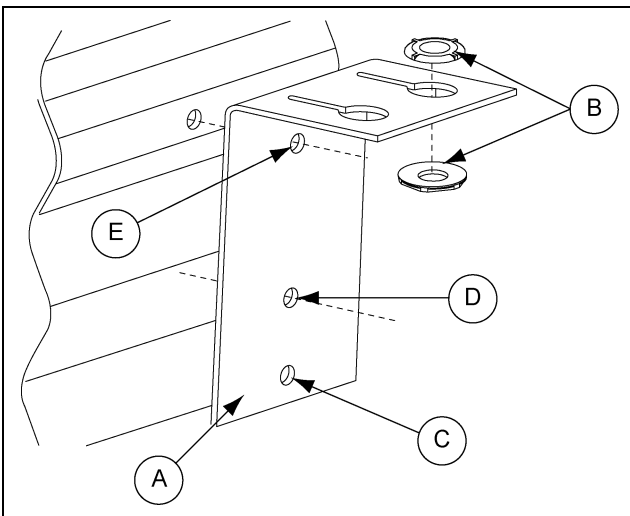


Figure 6

Ref #	Description
A	Chain Holder Bracket (MIS-6890)
B	Nylon Bushings (BLK-11876)
C	Hole used with 4" sidewall corrugation (field drill hole in sidewall). Use 5/16" x 3/4" bolt and 5/16" nut to fasten.
D	Hole used with 2.66" sidewall corrugation (field drill hole in sidewall). Use 5/16" x 3/4" bolt and 5/16" nut to fasten.
E	Top hole connects to pre-existing sidewall horizontal seam hole.

Chain Holder Brackets Assembly (Continued)

Chain holder bracket will contain both the “open” and “closed” chains.

Place the brackets at the bottom horizontal seam of the top ring. Then every 3 rings down.

Quantity of brackets used will depend on height of tank. (See Figure 7.)

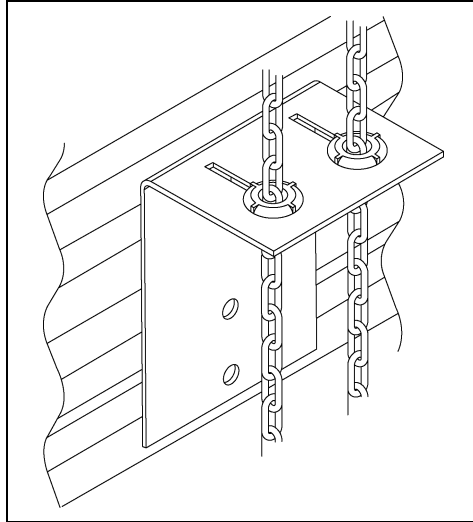


Figure 7

Bottom chain holder bracket is to be installed without the two (2) piece nylon bushings. Place bracket about eye level. You will need to field drill 4.00" corrugated sidewall tanks.

Slots in brackets should be used to secure chain in open or shut position.

Place handle on “open” chain below bottom chain holder bracket.

Place split ring (S-4318) (B) under handle. (See Figure 8.)

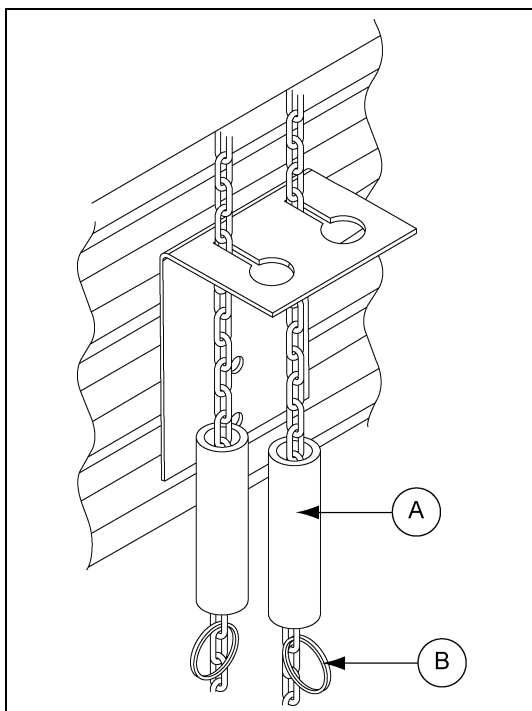


Figure 8

Ref #	Part #	Description
A	CRP-5810-BS	Plastic Handle
B	S-4318	Split Ring