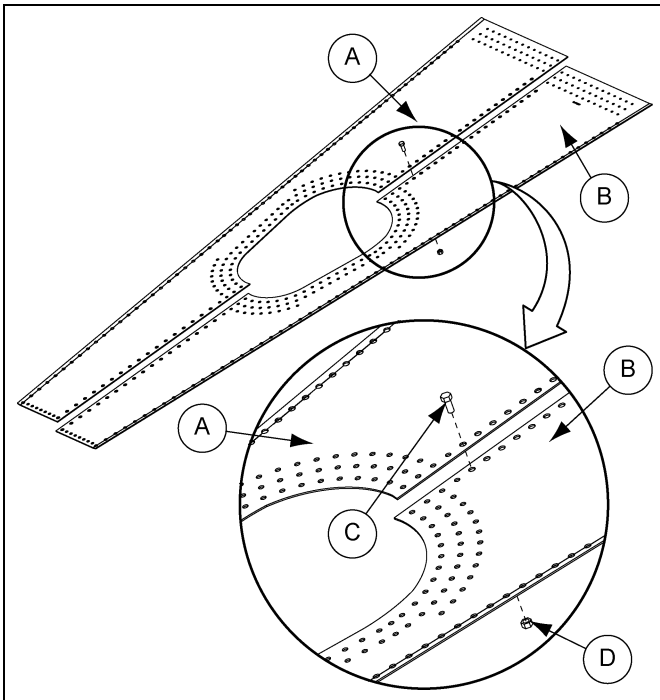




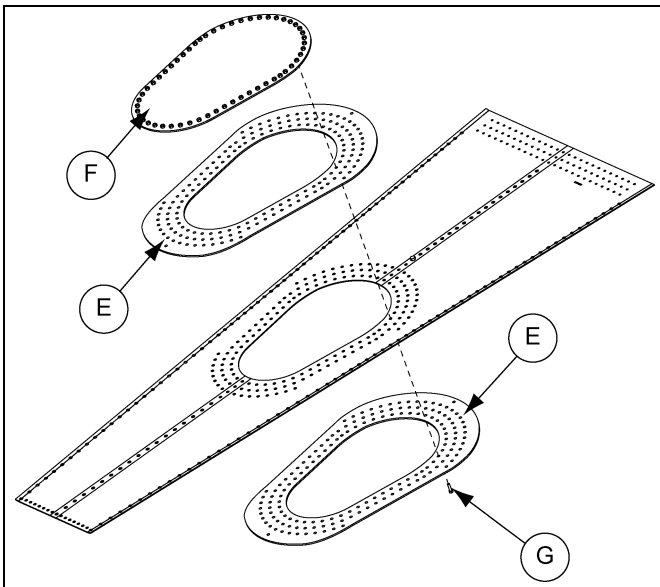
1. Align the holes of the L.H. panel (A) with R.H. panel (B) and fasten together using 5/8" bolt (C) and 5/8" nut (D). *(See Figure 1.)*



Ref #	Part #	Description
A	SCHT-3920	L.H. Top Panel
B	SCHT-3921	R.H. Top Panel
C	S-4109	5/8"-11 x 1-1/2" Bolt
D	S-4110	5/8" Hex Nut

Figure 1 Assembling the Door Panels

2. Place the two (2) door collars (E), one above the panel assembly and another one below the panel assembly and align it with panel assembly holes.
3. Place the door assembly (F) over the top collar and secure all together with 1/2" bolt (G). *(See Figure 2.)*



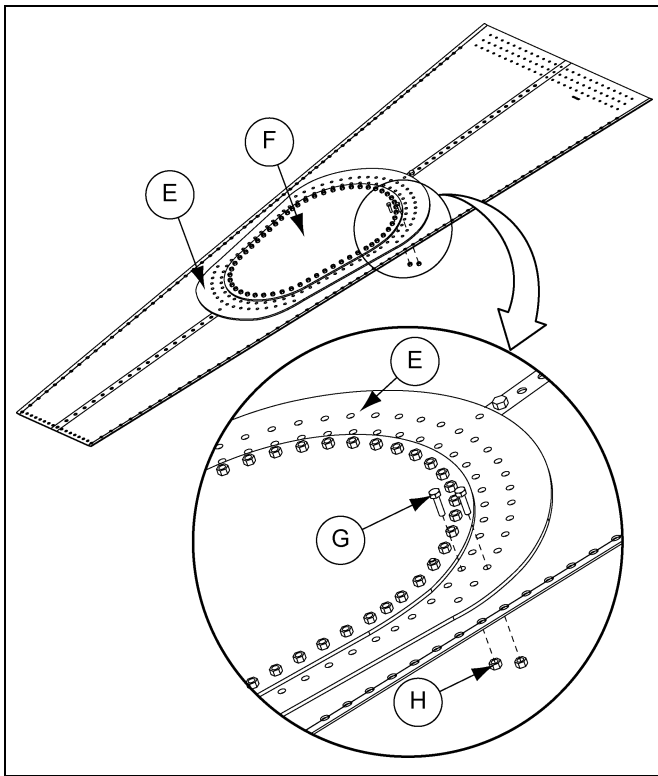
Ref #	Part #	Description
E	SCHT-3922	Door Collars
F	SCHT-3924	Door Assembly with Weld Nuts
G	S-3883	1/2"-13 x 1-3/4" Bolt

Figure 2 Installing the Door Assembly to the Panels



Hopper Access Door Panel Assembly Instructions

4. Install the 1/2" bolts (G) and 1/2" nuts (H) to the remaining holes of the collars (E) and the panel assembly (F). (See Figure 3.)



Ref #	Part #	Description
E	SCHT-3922	Door Collars
F	SCHT-3924	Door Assembly with Weld Nuts
G	S-3883	1/2"-13 x 1-3/4" Bolt
H	S-3729	1/2" Hex Nut

Figure 3 Securing the Collars to the Panels

5. Install the panel to the tank and secure it with bolts and nuts as shown in Figure 4.

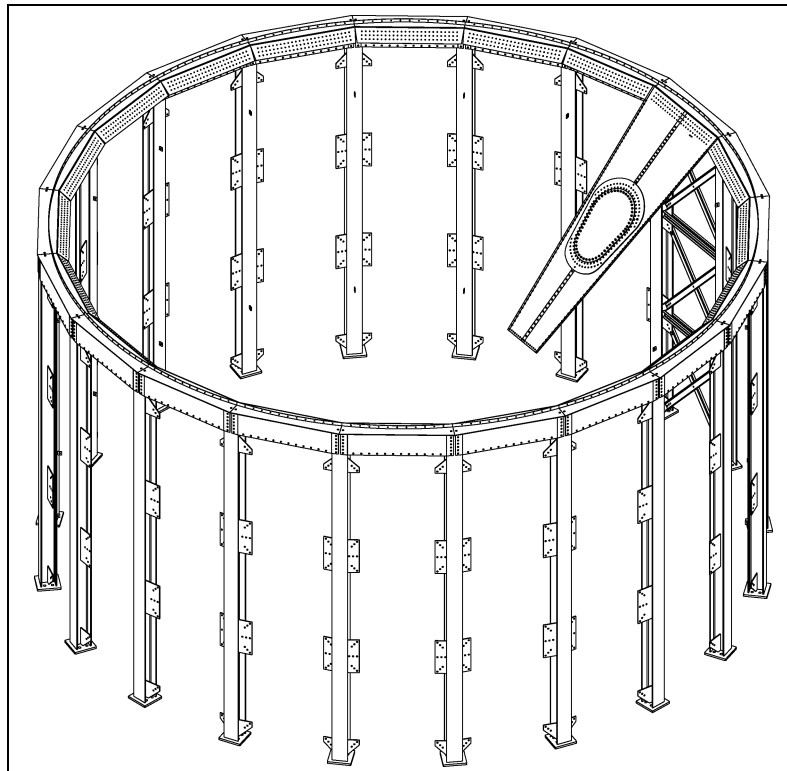


Figure 4 Door Panel Assembly Installed with the Tank