



1004 East Illinois Street • Assumption, IL 62510 • 1-217-226-4421

Instructions 24' Roof Rafter and Temp Cable Assembly Instructions

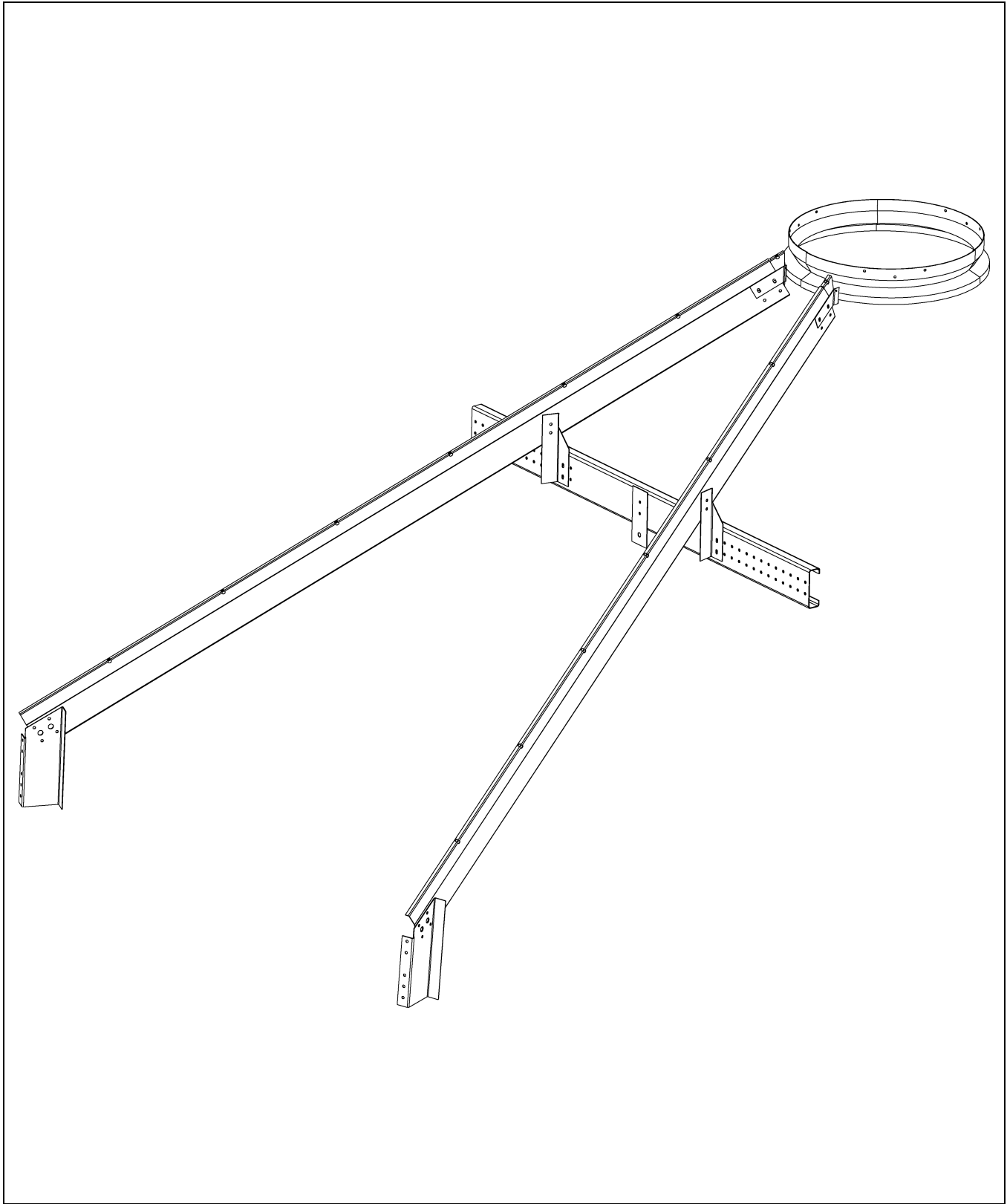


Figure 1

Date: 02-16-15

Printed in the U.S.A.
Copyright © 2015 by The GSI Group, LLC
www.gsiag.com



PNEG-1805

PNEG-1805
Page 1 of 6
CN-311789

24' Roof Rafter Instructions

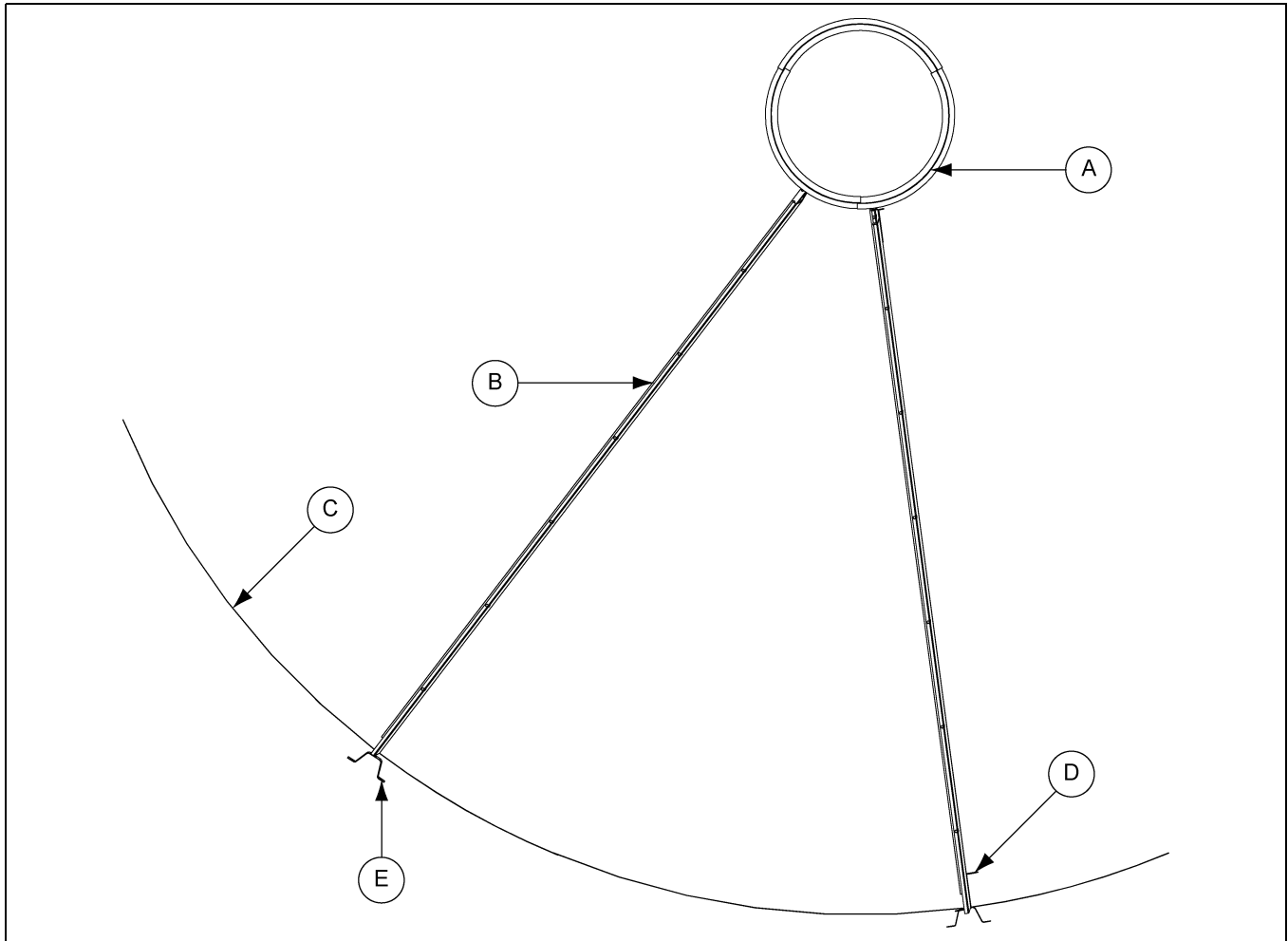


Figure 2

Ref #	Description
A	Center Collar
B	Roof Rafter
C	Tank Sidewall
D	Roof Truss Wall Bracket
E	Sidewall Stiffener (Sixteen (16) per Tank)

NOTE:

1. After assembling the first ring of sidewall, the roof truss wall brackets can be bolted to the sidewall with the top stiffener and eave clips.
2. The rafter attachment bracket and clip can be pre-assembled to the top end of the roof truss.
3. As roof panels are installed, place one roof truss in every third roof rib. Bolt truss at bottom to wall bracket and at top to center collar. Refer to [Pages 3 and 4](#) for details.
4. For general roof installation, refer to manual (PNEG-4224).

24' Roof Rafter Instructions (Continued)

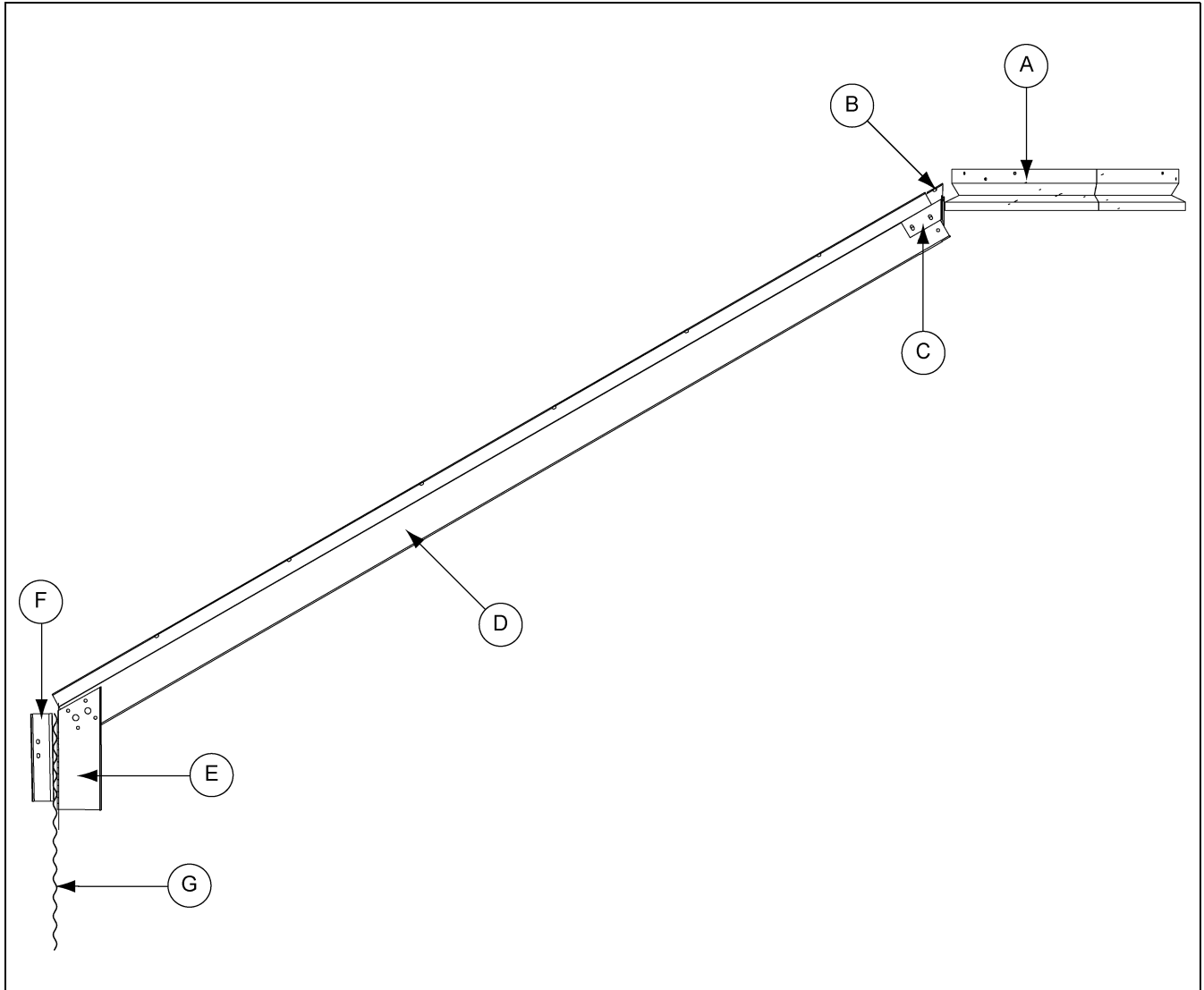


Figure 3

Ref #	Part #	Description
A	CRP-4608	Three (3) Piece Center Collar
B	CRP-5400	Rafter Attachment Bracket
C	CRP-5401	Rafter Attachment Clip
D	CRP-5390	24' Diameter Roof Truss
E	CRP-5333	Short Top Stiffener Bracket
F		Stiffener
G		Sidewall Sheet

24' Roof Rafter Instructions (Continued)

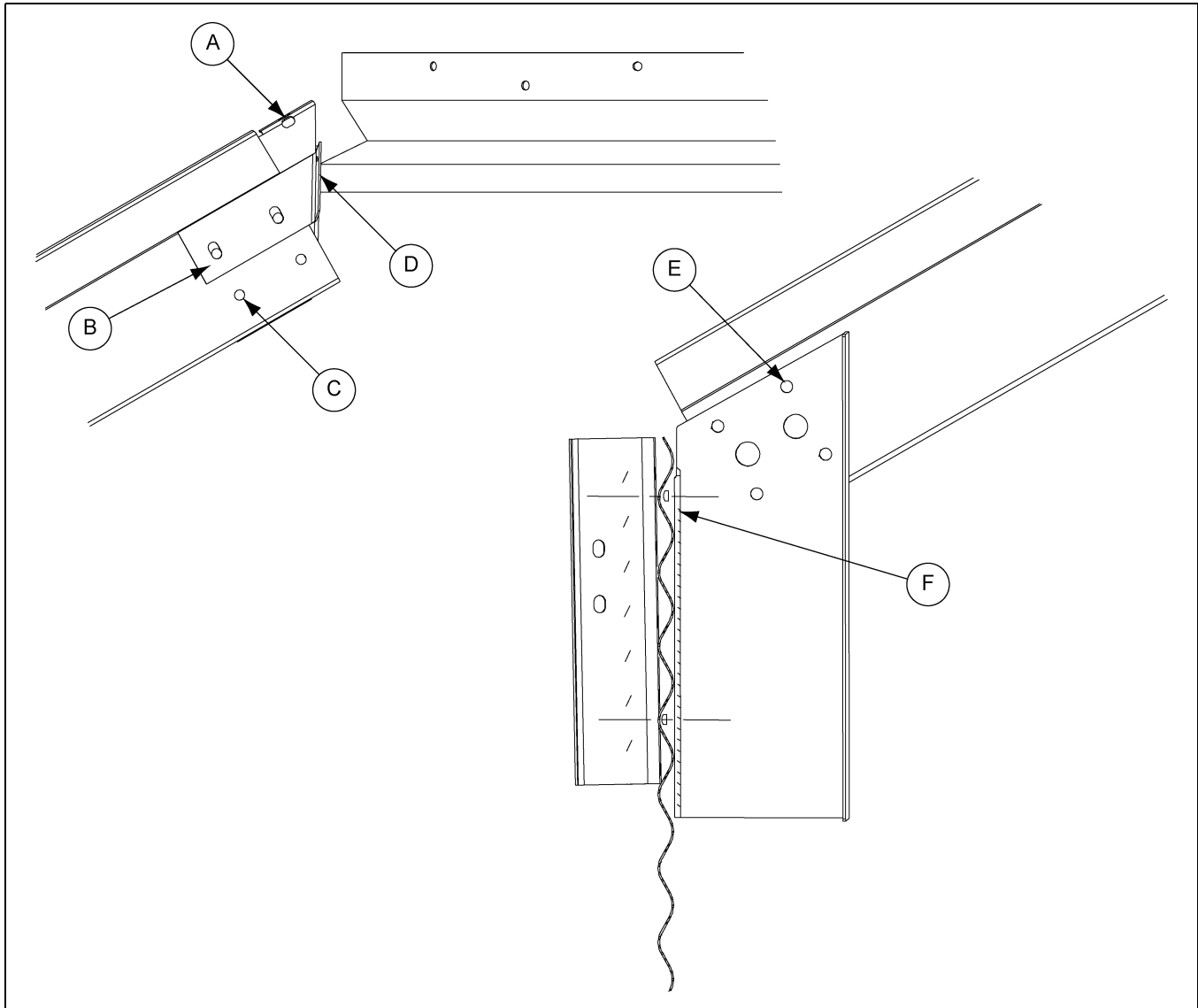


Figure 4

Ref #	Part #	Description
A	CRP-5400	Rafter Attachment Bracket
B	CRP-5401	Rafter Attachment Clip
C		Attach using 3/8"-16 x 1" flange bolt (S-7485).
D		Attach to center collar using 1/4" x 1" hex washer head self-drilling screws one in bracket and one in clip.
E		Attach roof truss wall bracket to roof rafter using 3/8"-16 x 1" flange bolt (S-7485).
F		Attach roof truss wall bracket to sidewall sheet and stiffener using 3/8"-16 x 1-1/2" flange bolt (S-7488). Corrugation washers should be placed between the roof truss wall bracket and the sidewall sheet where the bolts go through the sidewall sheet.

24' Temperature Cable Support

1. The rafter support system will be utilized for temperature cable installation in this 24' commercial tank.
2. All packages include hanging angles and a cable support channel.
3. Each kit will contain two (2) rafter sections which will reach from center collar to the bin wall. The rafter will bolt into the stiffener bracket (CRP-5333).
4. Once the rafters are in place. Field drill the holes to bolt the support angles (CRP-5787 and CRP-5786) into the roof rafter and attach with 3/8" bolts.
5. Attach the cable attachment bracket (CRP-5213) in the center of the support channel as illustrated and hang the cable.
6. If it is desired to support the cable from the flange of the support channel, it will be necessary to reinforce the flange with a 12" section of 3" x 3" x 3/16" angle.
7. No more than one cable should be supported from a pair of roof rafters.

Special 24' Temperature Cable Support Details

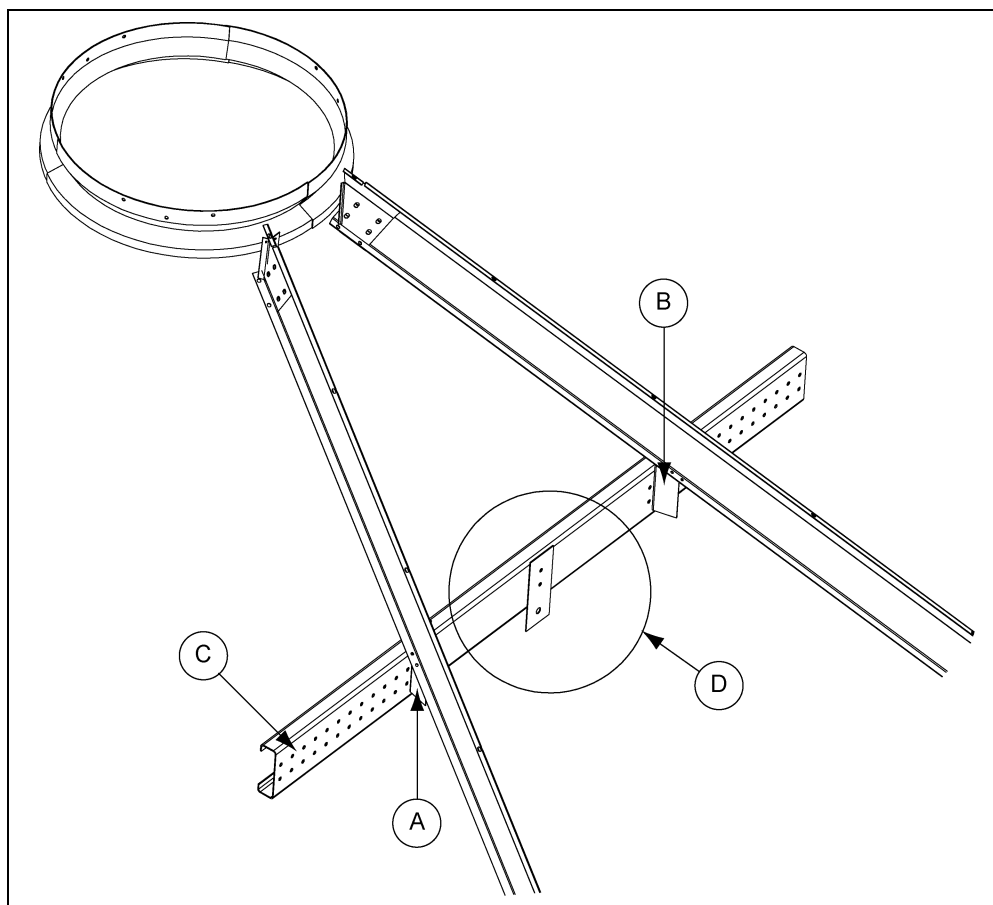


Figure 5

Ref #	Part #	Description
A	CRP-5787	Temp Kit Left Bracket
B	CRP-5786	Temp Kit Right Bracket
C	CRP-5285	Temp Cable Support Channel (See Note on Page 6.)
D		See Detail A on Page 6.

Special 24' Temperature Cable Support Details (Continued)

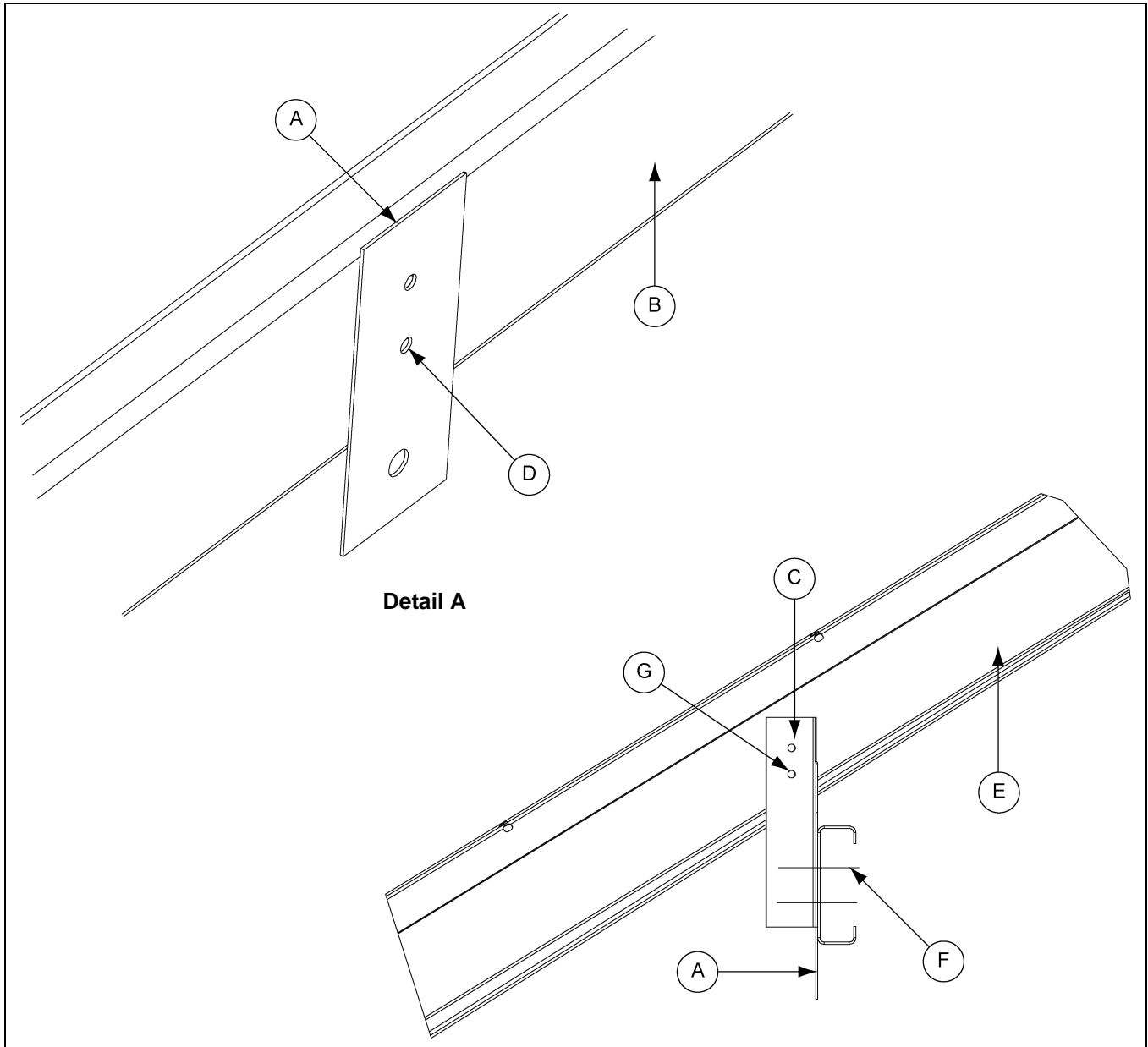


Figure 6

Ref #	Part #	Description
A	CRP-5213	Temp Cable Hanging Bracket
B	CRP-5285	Support Channel
C	CRP-5786	Support Angle
D		3/8" x 1" Hex Flange Bolt
E		Rafter
F		3/8" x 1" Hex Flange Bolt and Nut
G		Field drill two (2) 7/16" holes for each support angle and attach with 3/8" x 1" hex flange bolts.

NOTE: Locate support channel at temperature cable location specified by the cable manufacturer.