

Figure 1

Date: 03-10-11

Printed in the U.S.A.
Copyright © 2011 by GSI Group
www.gsiag.com



PNEG-1805

PNEG-1805
Page 1 of 6

24' Roof Rafter Instructions

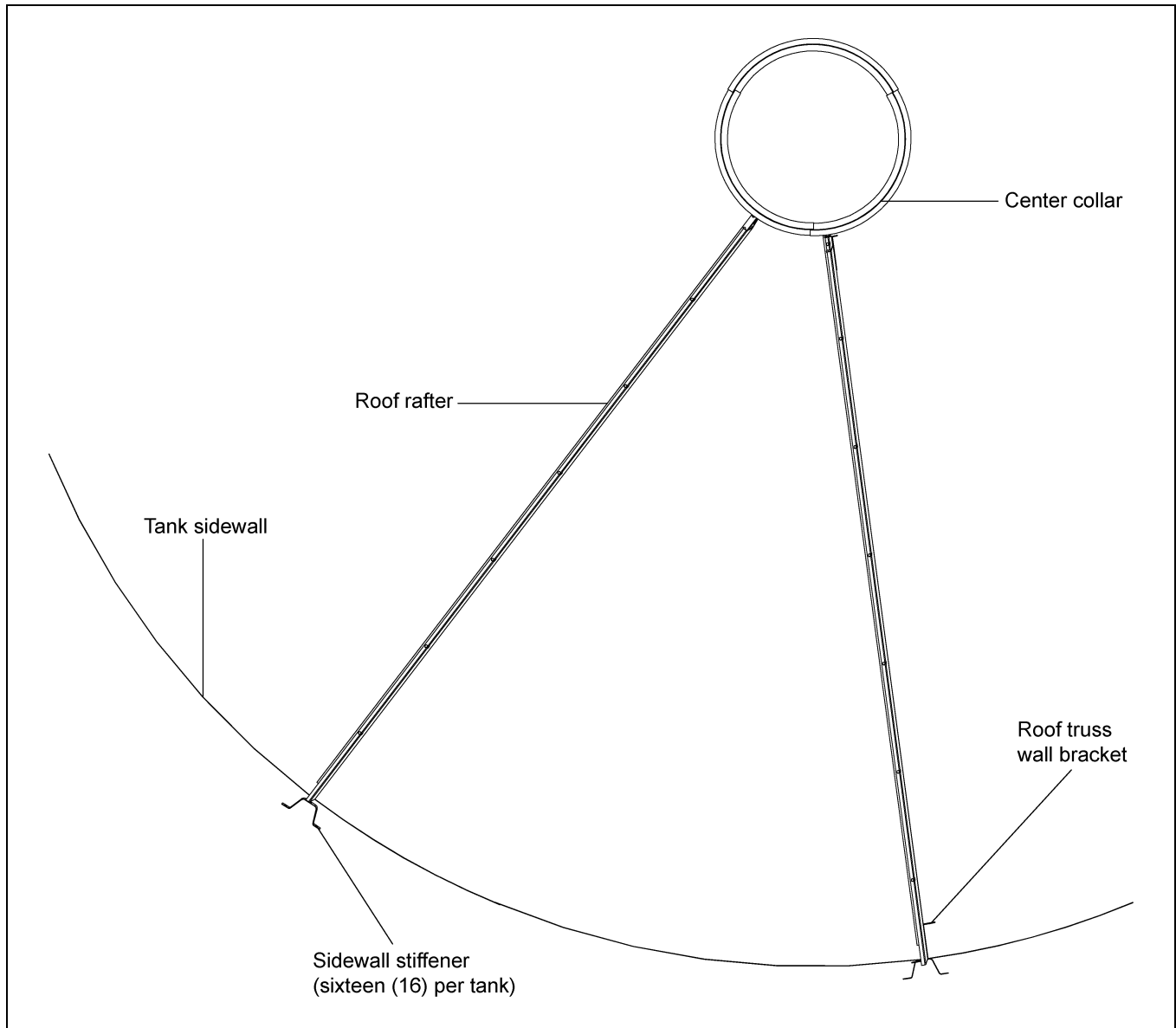


Figure 2

NOTE:

1. After assembling the first ring of sidewall, the roof truss wall brackets can be bolted to the sidewall with the top stiffener and eave clips.
2. The rafter attachment bracket and clip can be pre-assembled to the top end of the roof truss.
3. As roof panels are installed, place one roof truss in every third roof rib. Bolt truss at bottom to wall bracket and at top to center collar. Refer to [Pages 3 and 4](#) for details.
4. For general roof installation, refer to 30° roof construction manual (PNEG-1092).

24' Roof Rafter Instructions (Continued)

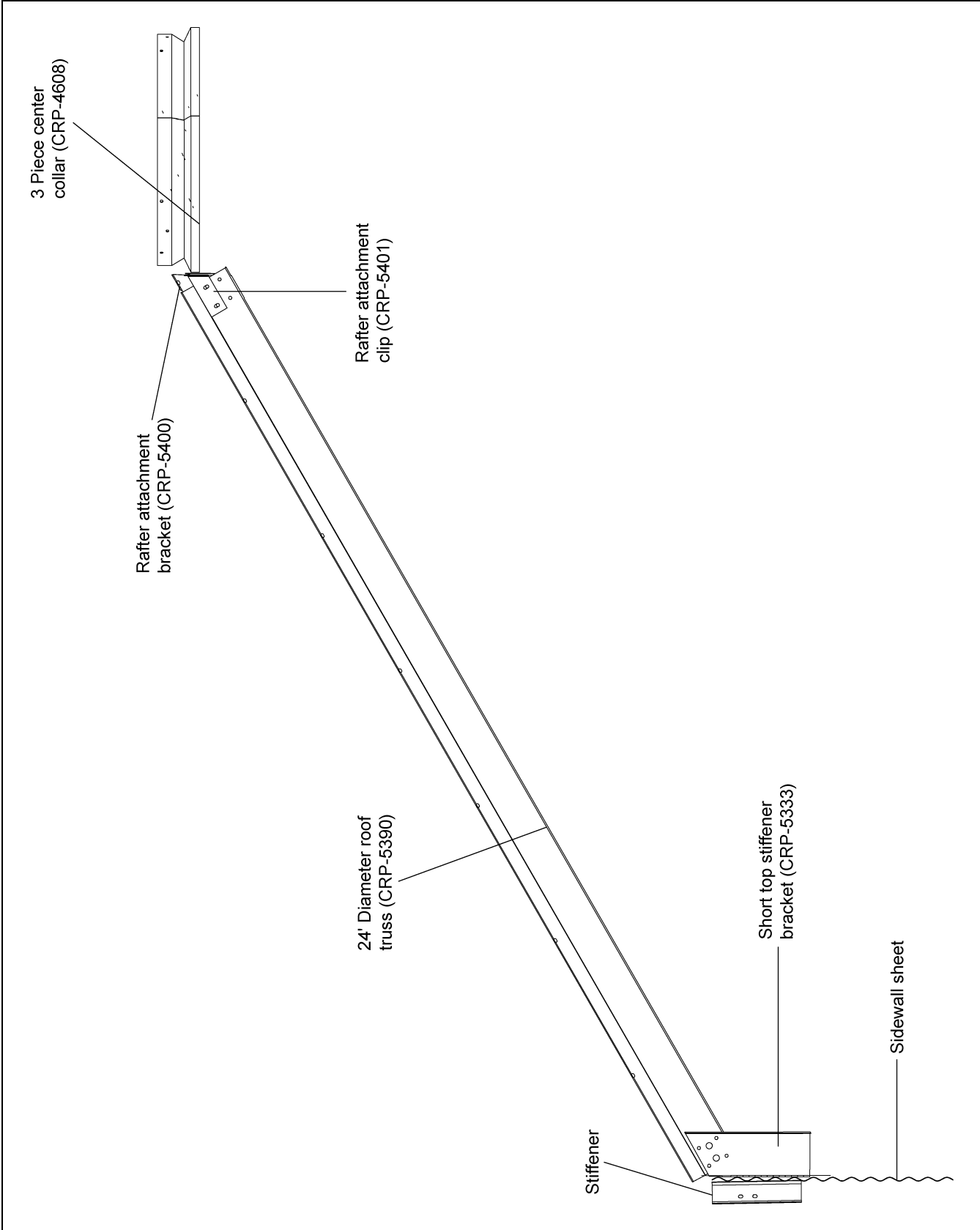


Figure 3

24' Roof Rafter and Temp Cable Assembly Instructions

24' Roof Rafter Instructions (Continued)

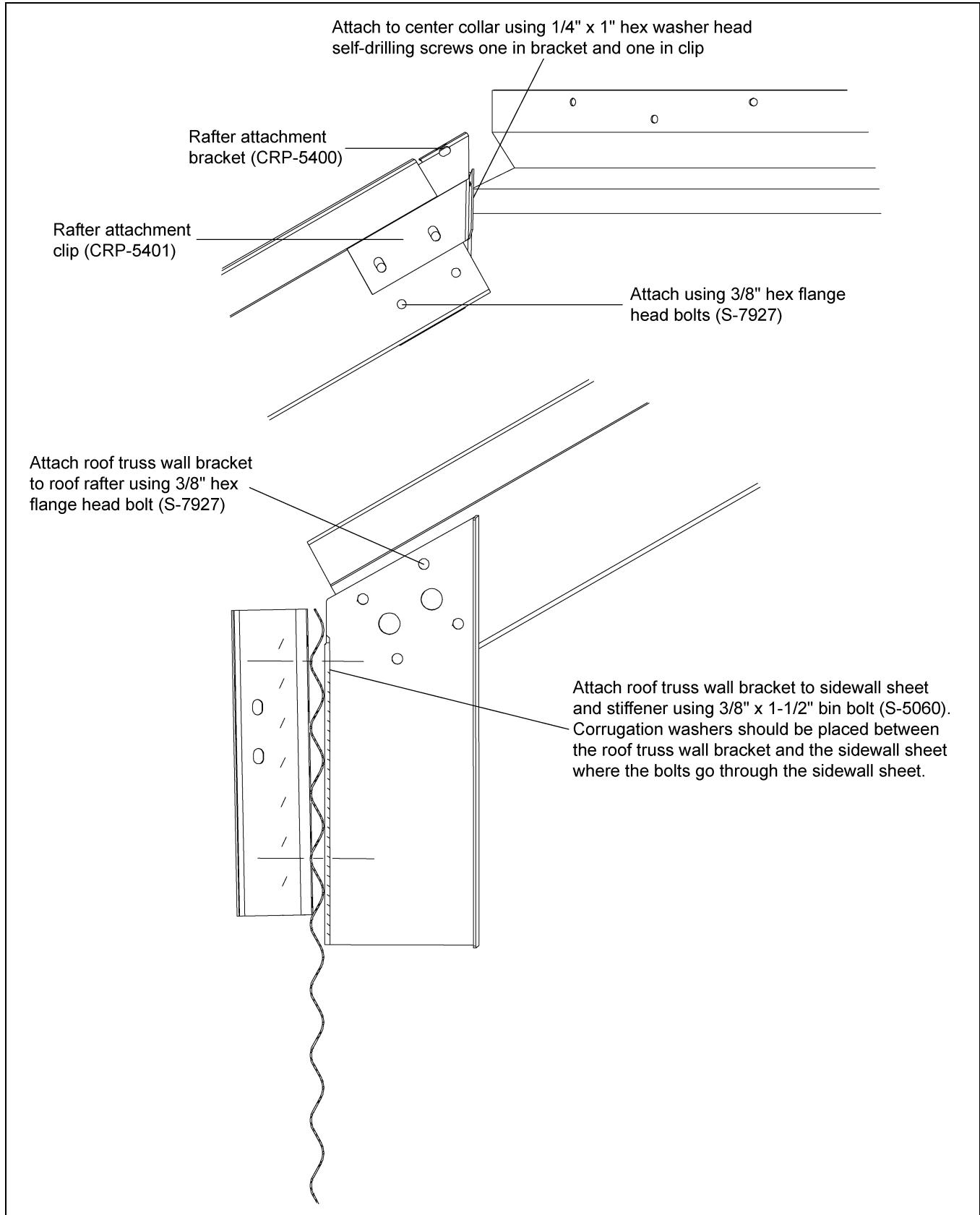


Figure 4

24' Temperature Cable Support

1. The rafter support system will be utilized for temperature cable installation in this 24' commercial tank.
2. All packages include hanging angles and a cable support channel.
3. Each kit will contain two (2) rafter sections which will reach from center collar to the bin wall. The rafter will bolt into the stiffener bracket (CRP-5333).
4. Once the rafters are in place. Field drill the holes to bolt the support angles (CRP-5787 and CRP-5786) into the roof rafter and attach with 3/8" bolts.
5. Attach the cable attachment bracket (CRP-5213) in the center of the support channel as illustrated and hang the cable.
6. If it is desired to support the cable from the flange of the support channel, it will be necessary to reinforce the flange with a 12" section of 3" x 3" x 3/16" angle.
7. No more than one cable should be supported from a pair of roof rafters.

Special 24' Temperature Cable Support Details

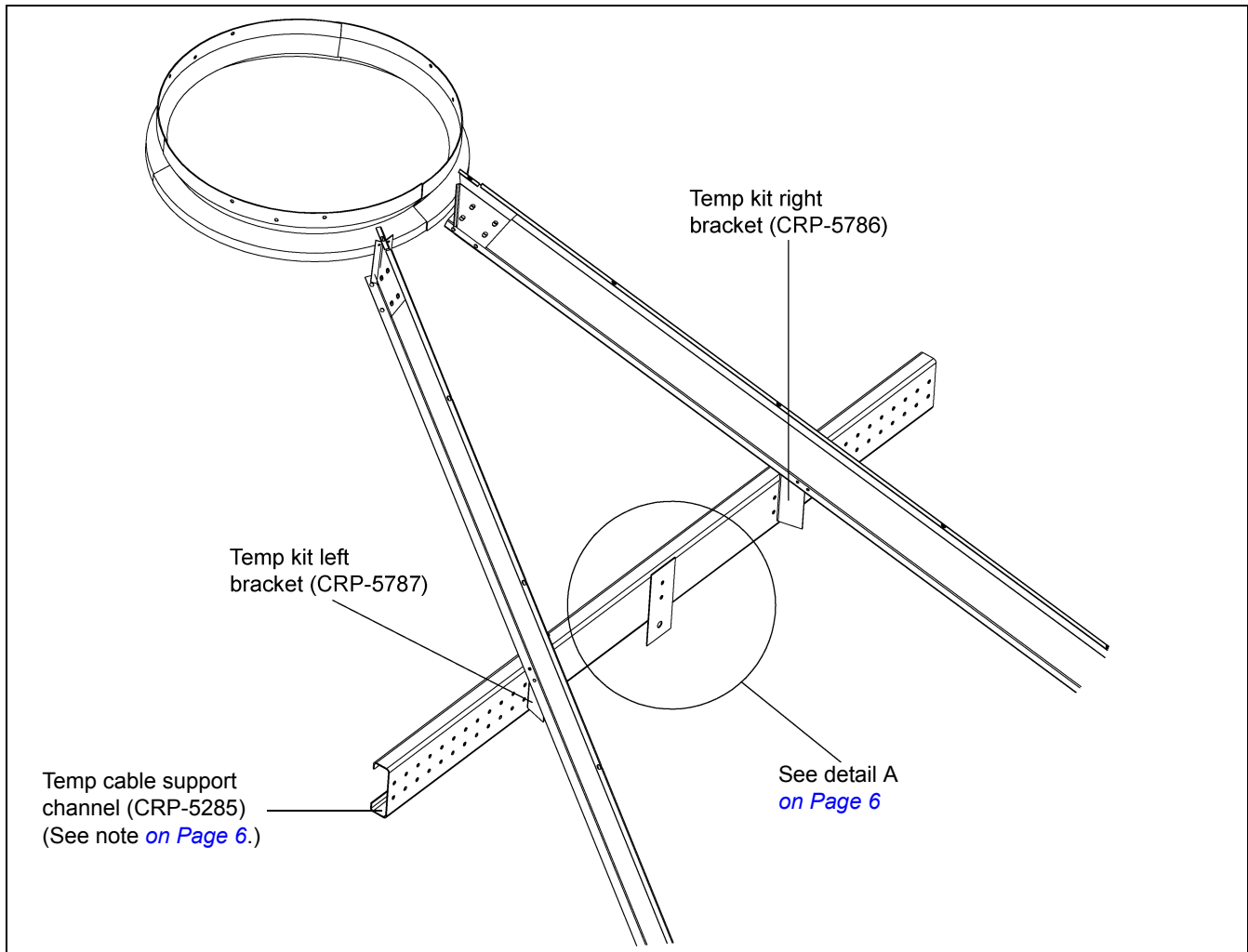


Figure 5

Special 24' Temperature Cable Support Details (Continued)

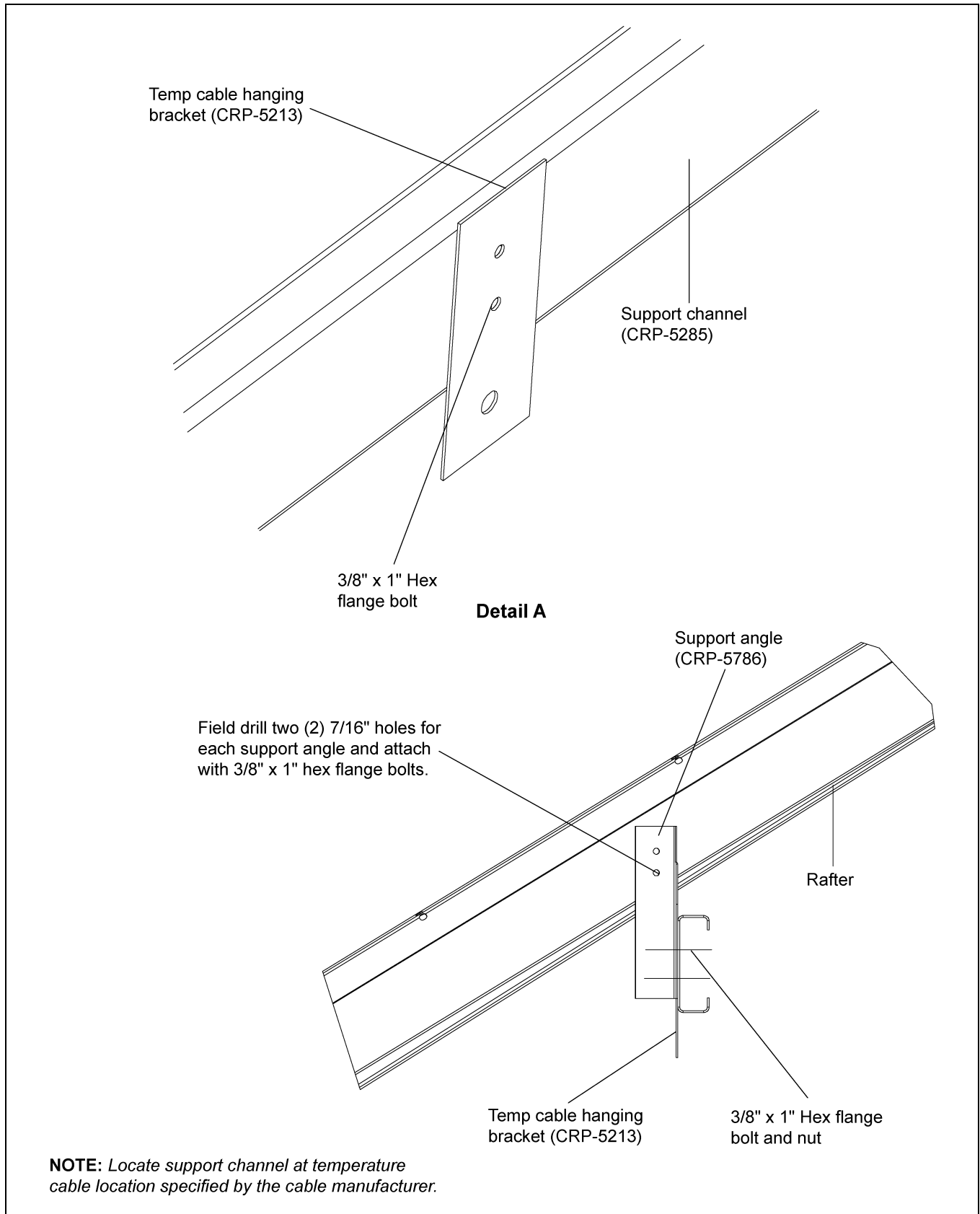


Figure 6