



## Installing Roof Ladder Steps

Roof ladder steps will allow access to roof and manway access.

### What You Should Know

Each eave-to-peak ladder step package (E) will differ with the diameter of each bin. When installing the ladder steps, always start from the eave and work up toward the peak, installing the longest step first and the shortest step last.

**NOTE:** Use the table at the end of this procedure for part listings and the correct placement of each ladder step configuration for various bin sizes. See eave-to-peak ladder step kit, ladder step placement on Page 3.

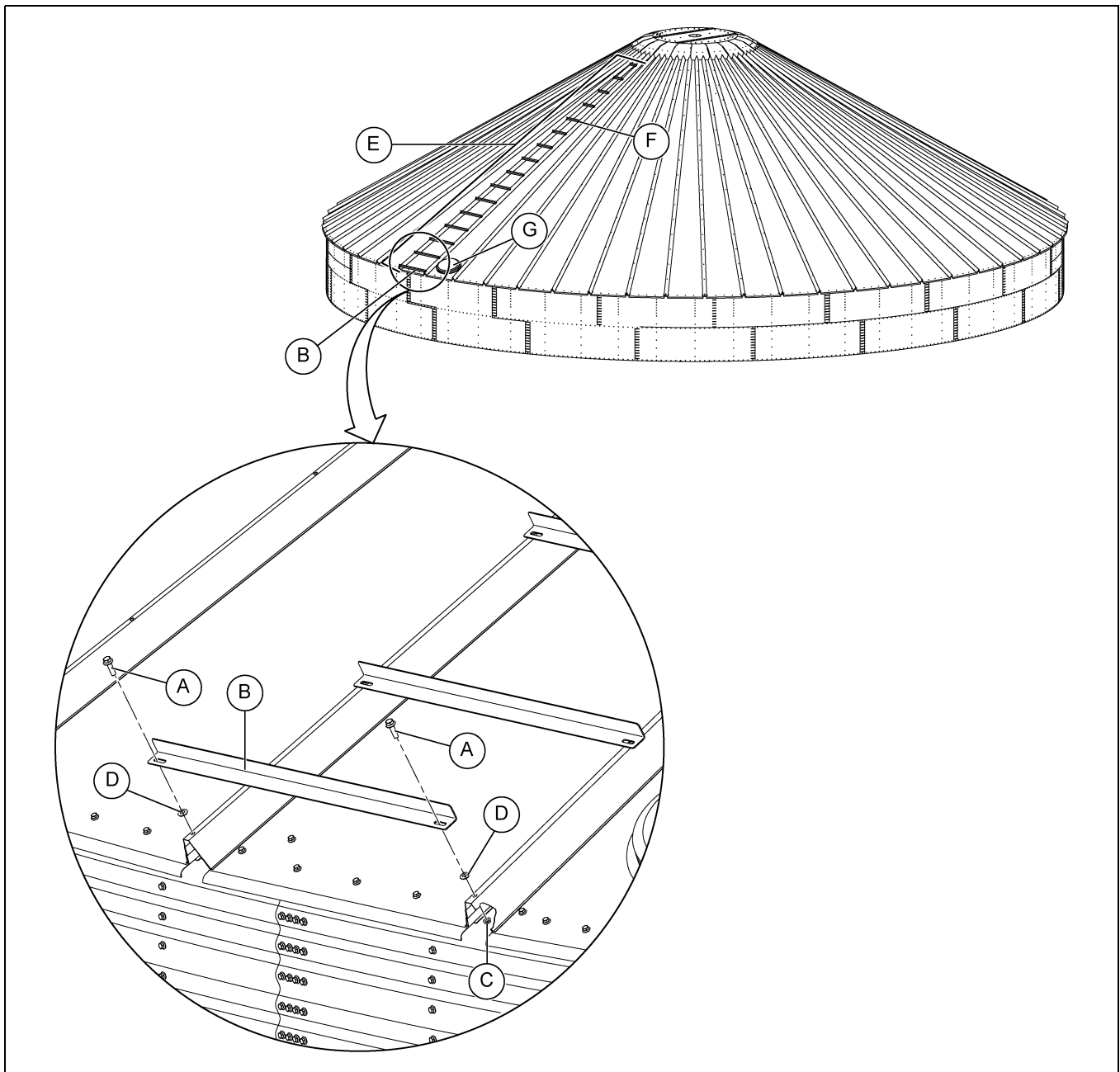
1. Place the first roof ladder step (B) onto the corresponding roof panel, next to the manway access (G).

**NOTE:** If support rings will be installed, roof ladder steps (B and F) will not be installed. Proceed to next available ladder step.

2. Install two (2) flange bolts (A) and install two (2) sealing washers (D) between the ladder step (B) and the roof panel rib. Secure the roof ladder step to the roof panel with two (2) flange nuts (C). Tighten to the recommended torque specifications, see bolt torque specifications.
3. Repeat this procedure for the remaining ladder steps in the eave-to-peak ladder step package (E). (See Figure 1 on Page 2.)



# 40 Series Roof Ladder Step Installation



**Figure 1** Exploded View of a Roof Ladder Step

Ref #	Part #	Description
A	S-10260	5/16"-18 x 1" Flange Bolt
B	LS-260-19	39-1/2" Roof Ladder Step
C	S-3611	5/16"-18 Flange Nut YDP Grade 2
D	S-3558	Sealing Washer
E	PLS-42496-XX	Eave-to-Peak Ladder Step Package
F	LS-260-7	18-1/2" Roof Ladder Step
G		Manway Access

## 40 Series Roof Ladder Step Installation

Use the following table as a guide to the location of each ladder step.

**Ladder Step Placement Chart**  
**Eave-to-Peak Ladder Step Package (Peak-to-Exhauster Level shaded)**

Location		Bin Diameter (Feet)							
		60'	72'	75'	78'	90'	105'	135'	
Roof Rib Hole Number from Bin Eave	Bin Peak	37							LS-260-1
	36								LS-260-1
	35								LS-260-1
	34								LS-260-2
	33								LS-260-2
	32								LS-260-2
	31								LS-260-3
	30								LS-260-3
	29							LS-260-1	LS-260-4
	28							LS-260-1	LS-260-4
	27							LS-260-1	LS-260-4
	26							LS-260-2	LS-260-5
	25						LS-260-1	LS-260-2	LS-260-5
	24						LS-260-1	LS-260-3	LS-260-5
	23						LS-260-2	LS-260-3	LS-260-6
	22						LS-260-2	LS-260-4	LS-260-6
	21					LS-260-1	LS-260-3	LS-260-4	LS-260-6
	20				LS-260-1	LS-260-2	LS-260-3	LS-260-5	LS-260-7
	19			LS-260-1	LS-260-2	LS-260-3	LS-260-4	LS-260-5	LS-260-7
	18			LS-260-2	LS-260-3	LS-260-3	LS-260-5	LS-260-6	LS-260-8
17			LS-260-3	LS-260-3	LS-260-4	LS-260-5	LS-260-6	LS-260-8	
16	LS-260-2	LS-260-3	LS-260-4	LS-260-5	LS-260-6	LS-260-7	LS-260-8	LS-260-8	
15	LS-260-4	LS-260-4	LS-260-5	LS-260-5	LS-260-6	LS-260-7	LS-260-9	LS-260-9	
14	LS-260-5	LS-260-5	LS-260-5	LS-260-6	LS-260-7	LS-260-8	LS-260-9	LS-260-9	
13	LS-260-6	LS-260-6	LS-260-6	LS-260-6	LS-260-7	LS-260-8	LS-260-9	LS-260-9	
12	LS-260-7	LS-260-6	LS-260-7	LS-260-7	LS-260-8	LS-260-9	LS-260-10	LS-260-10	
11	LS-260-8	LS-260-7	LS-260-7	LS-260-7	LS-260-8	LS-260-9	LS-260-10	LS-260-10	
10	LS-260-9	LS-260-8	LS-260-8	LS-260-8	LS-260-9	LS-260-10	LS-260-11	LS-260-11	
9	LS-260-10	LS-260-8	LS-260-9	LS-260-9	LS-260-9	LS-260-10	LS-260-11	LS-260-11	
8	LS-260-11	LS-260-9	LS-260-9	LS-260-9	LS-260-10	LS-260-11	LS-260-11	LS-260-11	
7	LS-260-13	LS-260-10	LS-260-10	LS-260-10	LS-260-11	LS-260-11	LS-260-12	LS-260-12	
6	LS-260-14	LS-260-10	LS-260-11	LS-260-11	LS-260-11	LS-260-12	LS-260-12	LS-260-12	
5	LS-260-15	LS-260-11	LS-260-11	LS-260-11	LS-260-12	LS-260-12	LS-260-13	LS-260-13	
4	LS-260-16	LS-260-12	LS-260-12	LS-260-12	LS-260-12	LS-260-13	LS-260-13	LS-260-13	
3	LS-260-17	LS-260-13	LS-260-13	LS-260-13	LS-260-13	LS-260-13	LS-260-13	LS-260-13	
2	LS-260-18	LS-260-13	LS-260-13	LS-260-13	LS-260-13	LS-260-13	LS-260-14	LS-260-14	
Bin Eave	1	LS-260-19	LS-260-14	LS-260-14	LS-260-14	LS-260-14	LS-260-14	LS-260-14	

**NOTE:** The table above shows the correct ladder step and part number to be installed in the corresponding hole in the roof rib. Shaded areas will also show the correct roof exhauster ladder step and part number with the corresponding hole in the roof rib.

Kit Numbers	
Eave-to-Peak Kit	PLS-42496-XX (-XX is the Bin Diameter)
Peak-to-Exhauster Kit	PLS-42497-XX (-XX is the Bin Diameter)