



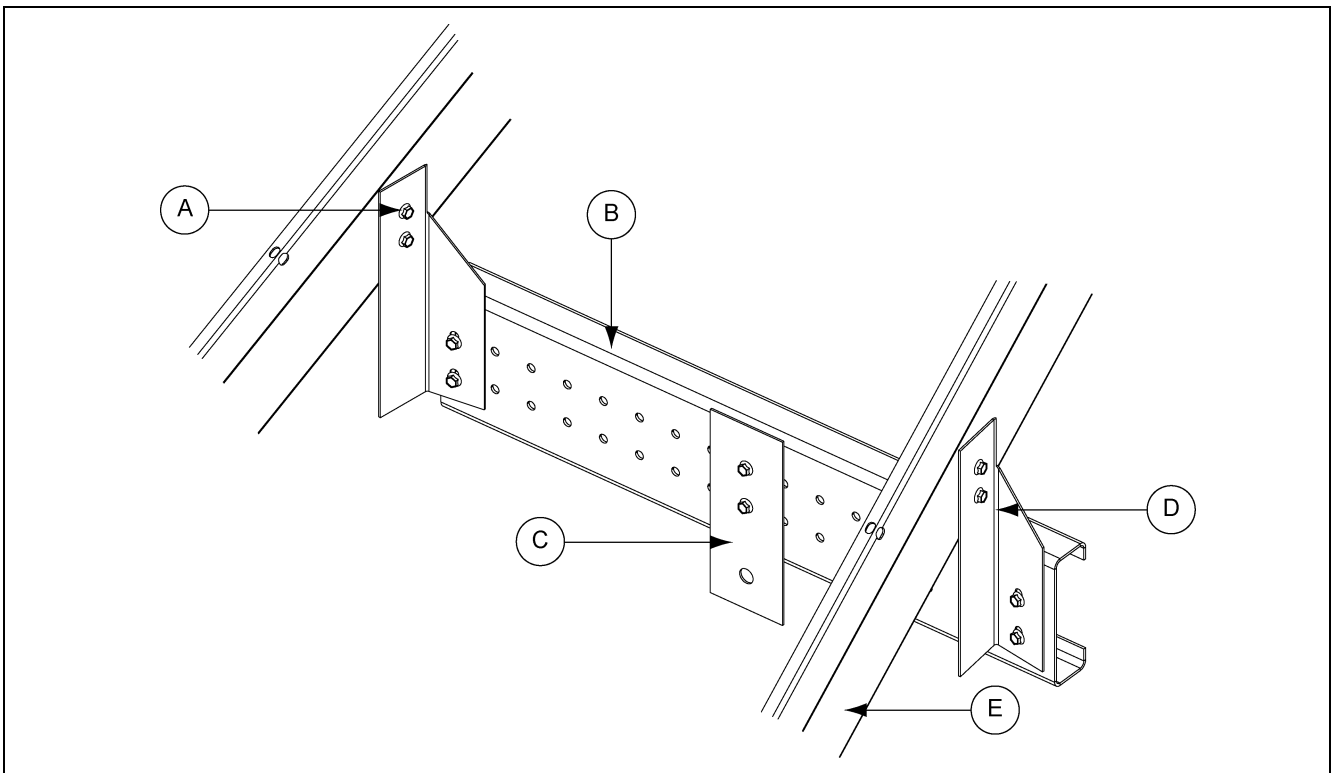
## Temperature Cable Support Packages for Eave Heights of 40'-5" or Less (12.32 m) Installation Instructions

### CRP-5423 (27'-33' (8.23 m-10.06 m) Support System) and CRP-5424 (36'-42' (10.97 m-12.80 m) Support System)

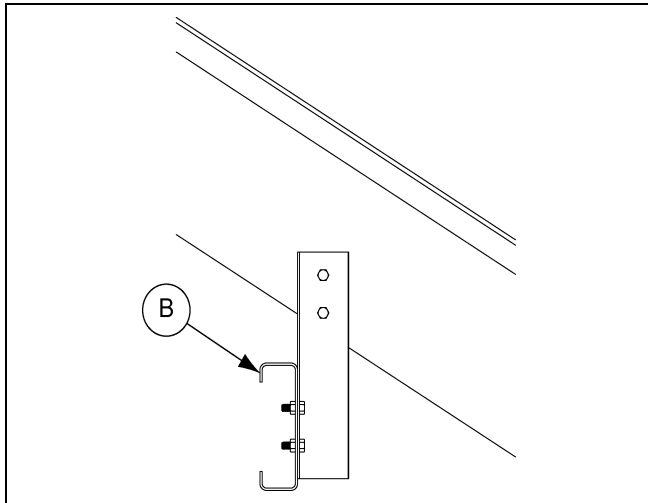
1. All 27'-42' (8.23 m-12.80 m) packages shall span one roof panel as shown in [Figure 1 on Page 2](#).
2. A rafter support system (included in each package) is necessary for temperature cable installation in farm tanks 27' (8.23 m) to 42' (12.80 m) in diameters that have an eave height of less than 40'-4" (12.29 m).
3. One package is provided for each cable in the tank with the exception of the center cable.
4. All packages include hanging angles and a cable support channel.
5. Each set of rafters should carry only one temperature cable.
6. Kit (CRP-5424) contains two (2) rafter sections which splice together with CRP-5262. Kit (CRP-5423) contains only one rafter section.
7. (CRP-5424 only) Center support angles on the outside of the rafter and field drill the holes to bolt the support angle (CRP-5422) (36'-42') (10.97 m-12.80 m) to the roof rafter ([See Figure 4 on Page 3](#) to locate which holes to drill) and attach with 3/8" diameter bolts.
8. (CRP-5424 only) Should the angle location be such that the rafter splice coincides with angle placement, the angle should be slid one way enough to align the angle holes with the splice bolts or miss the splice bolts. (If angle is to be bolted over splice, remove splice plate before installing angle.)
9. Once the rafters are in place, field drill the holes to bolt the support angles (CRP-5786 and CRP-5787) into the roof rafter ([See Figure 2 on Page 2](#)) and attach with 3/8" diameter bolts.
10. Attach the cable attachment bracket (CRP-5213) in the center of the support channel (CRP-5419) as illustrated in [Figure 1 and Figure 3 on Page 2](#) and hang the cable.
11. If it is desired to support the cable from the flange of the support channel (CRP-5419), it is necessary to reinforce the flange with a 12" section of 3" x 3" x 3/16" angle.
12. No more than one cable should be supported from a pair of roof rafters.
13. This package will allow a maximum radius of: (27' equals 11.84') (8.23 m equals 3.61 m), (30' equals 13.15') (9.14 m equals 4.01 m), (33' equals 14.00') (10.06 m equals 4.27 m), (36' equals 15.29') (10.97 m equals 4.66 m), (42' equals 17.84') (12.80 m equals 5.44 m). These radii represent the maximum radius that the cross members will span. These are not recommended installation locations. Install according to the temperature cable manufacturers recommendations. For a greater radius, the recommendation shown in this manual for temperature cable installation must be used (using field cut, hot rolled sections), however a rafter support package must still be used.



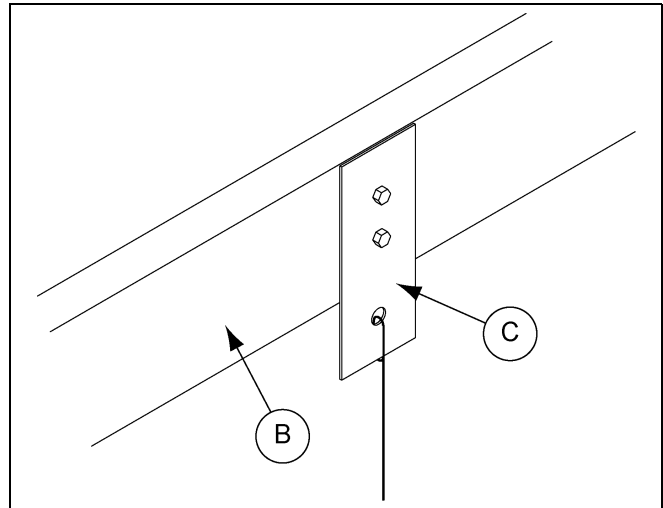
# Temperature Cable Support Packages (CRP-5423, CRP-5424 and CRP-6263)



**Figure 1** 27'-42' Roof Truss Details

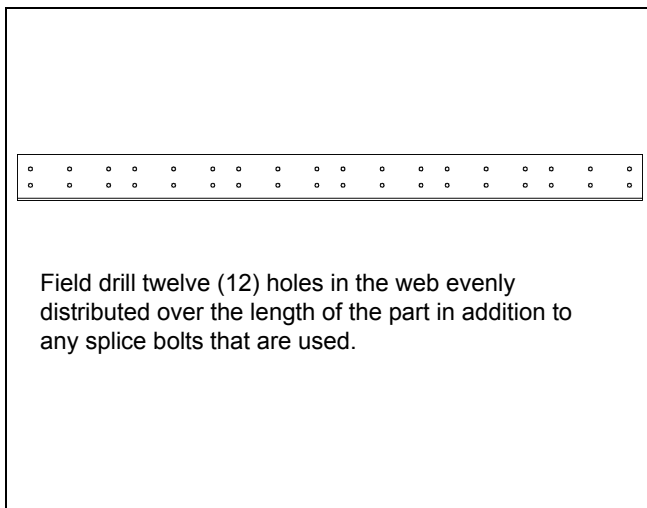


**Figure 2**

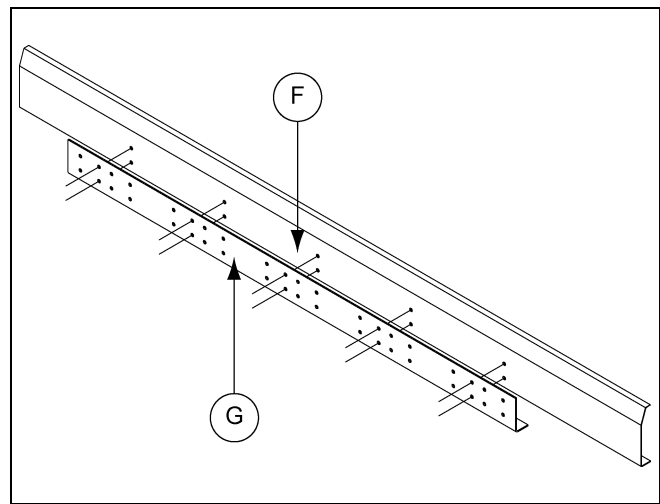


**Figure 3**

Ref #	Part #	Description
A	CRP-5787	L.H. Temperature Cable Support Angle
B	CRP-5285	Support Channel
C	CRP-5213	Attachment Bracket
D	CRP-5786	R.H. Temperature Cable Support Angle
E		Roof Support Channel



**Figure 4 36' and 42' Roof Only**

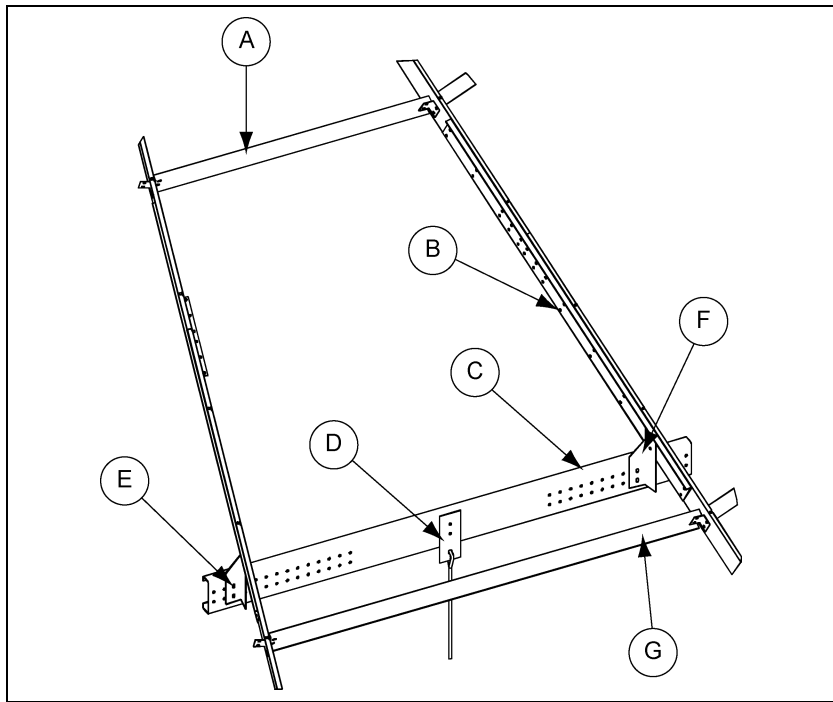


**Figure 5**

Ref #	Description
F	Roof rafter field drill holes per instructions in <a href="#">Steps 5-6 on Page 1</a> .
G	Roof Rafter Support Angle

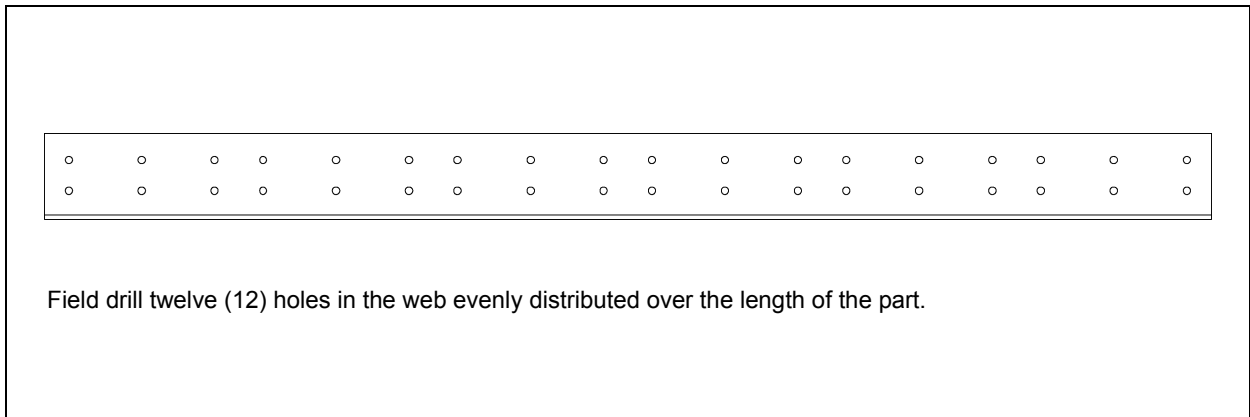
## CRP-6263 (48' (14.63 m) Support System) Eave Height Less than 40'-5"

1. All 48' (14.63 m) packages shall span three (3) roof panels as shown in [Figure 6 on Page 4](#).
2. One package is provided for each cable in the tank with the exception of the center cable.
3. The package includes bracing Z-channels for the roof rafters, hanging angles and cable support channel.
4. Each set of rafters should carry only one temperature cable.
5. Once the farm roof system has been installed, installation of the cable support packages may proceed as follows.
6. Remove outer splice (CRP-6258) and replace it with CRP-6262 (Z-channel reinforcement). Use 3/8" x 1" bolts and 3/8" nuts for all connections.
7. Attach left and right hand angles to roof reinforcement channel. Field drill if necessary to obtain proper location.
8. Attach the cable attachment bracket (CRP-5213) in the center of the support channel (CRP-5285) as illustrated in [Figure 6 and Figure 10 on Page 5](#), and hang the cable.
9. If it is desired to support the cable from the flange of the support channel (CRP-5285), it is necessary to reinforce the flange with a 12" section of 3" x 3" x 3/16" angle.
10. No more than one cable should be supported from a pair of roof rafters.
11. This package will allow a maximum radius of: (48' equals 19.22') (14.63 m equals 5.86 m). This radii represents the maximum radius that the cross member will span. This is not a recommended installation location. Install according to the temperature cable manufacturers recommendations. For a greater radius, the recommendation shown in this manual for temperature cable installation must be used (using field cut, hot rolled sections), however a rafter support package must still be used.



**Figure 6**

Ref #	Part #	Description
A	CRP-6256	Upper Purlin
B	CRP-6262	Temperature Cable Z Reinforcement
C	CRP-5285	Support Channel
D	CRP-5213	Cable Attach Bracket
E	CRP-5787	Left Hand Support
F	CRP-5786	Right Hand Support
G	CRP-6254	Lower Purlin



**Figure 7**

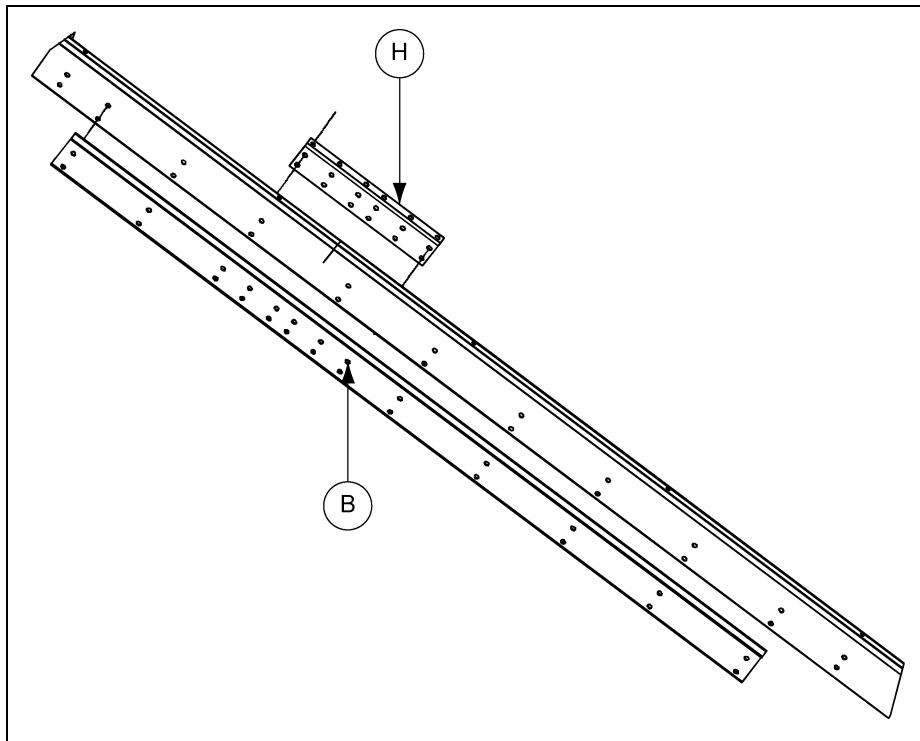


Figure 8

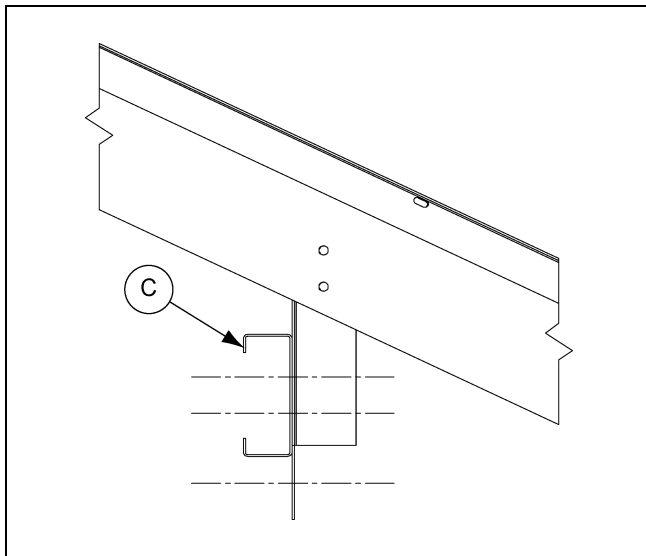


Figure 9

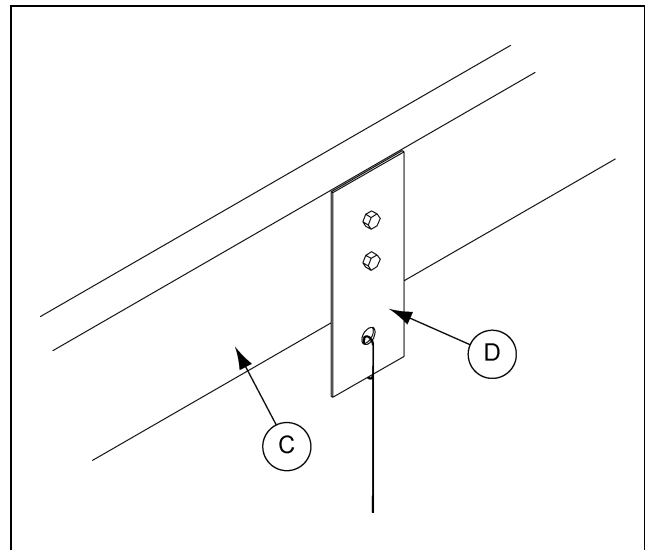


Figure 10

Ref #	Part #	Description
B	CRP-6262	Temperature Cable Z Reinforcement
C	CRP-5285	Support Channel
D	CRP-5213	Cable Attach Bracket
H	CRP-6258	Splice Plate Inverted