



## Installing Peak Handrails

- A. Connect the right entry post (STR0003) with beveled end up to the right handrail post (STR0004) using the 5/16" x 3/4" bolts as shown in [Figure 2 and Figure 3](#).
- B. Connect the left entry post (STR0002) with beveled end up to the left handrail post (STR0004) using three (3) 5/16" x 3/4" bolts as shown in [Figure 2 and Figure 3](#).
- C. Locate the entry post assemblies 24" apart, centered on the roof stairs or ladder and attach to the bin roof using a 1/4" x 1" self drilling screw. When using a 10' diameter handrail, locate the entry posts 4' 11" from the center of the bin. If using a 13-1/2" diameter handrail, locate the entry posts 6' 6-3/4" from the center of the bin.
- D. Attach one end of a lower handrail (STR1001) and one end of a brace (STR0005) to one of the handrail post assemblies using a 5/16" x 3/4" bolt. ([See Figure 2 and Figure 3](#).)
- E. To locate where the next handrail post should go, use a chord length of 42" long or the length of a handrail. ([See Figure 1.](#)) (**NOTE:** Radius for a 10' diameter handrail is 4' 11". Radius for a 13-1/2' diameter handrail is 6' 6-3/4". Radius for 7' diameter handrails is 3' 5-5/8".)
- F. Fasten the posts to the bin roof using 1/4" x 1" self drilling screws.
- G. Proceed around the roof using the proper diameter and assemble the remaining posts, upper and lower handrails, and braces.
- H. Plumb each handrail post and fasten the loose end of each brace to the bin roof using 1/4" x 1" self drilling screws.



**DO NOT** overtighten self drilling screws.

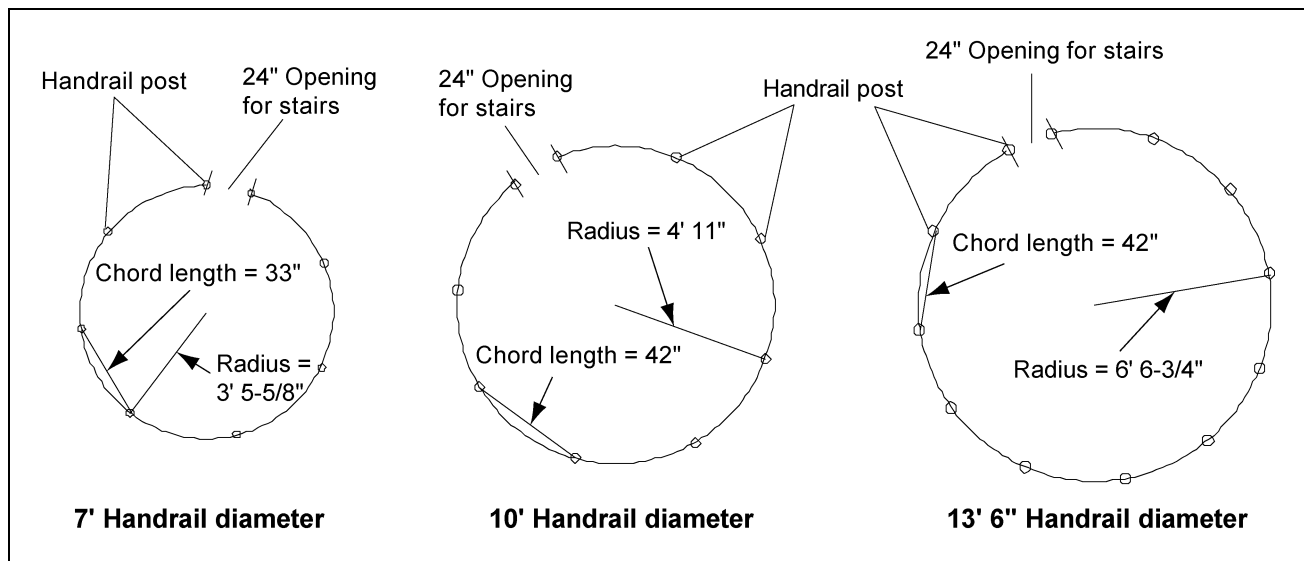
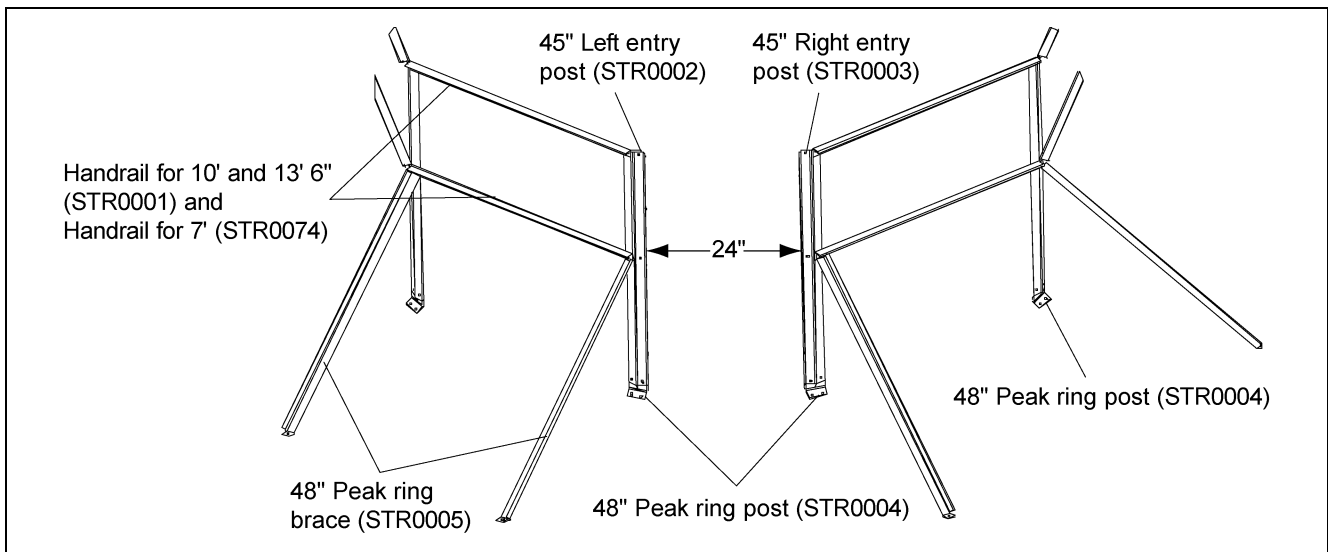


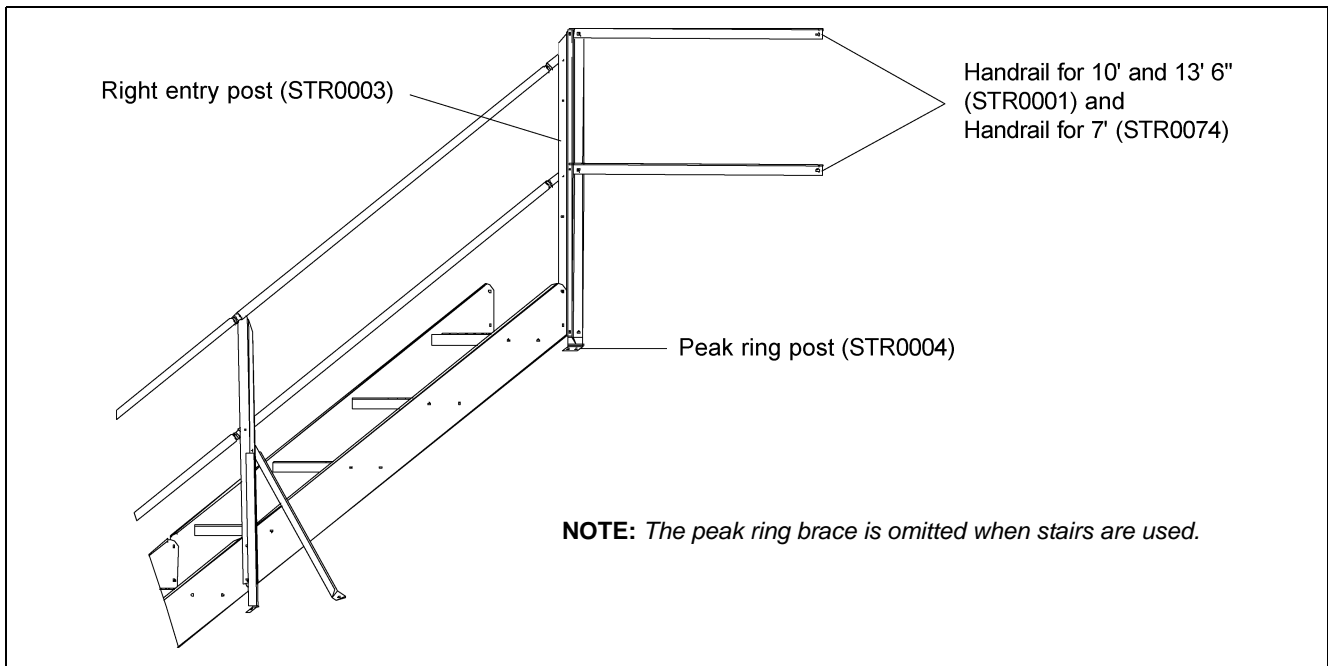
Figure 1



# Peak Handrail Assembly



**Figure 2**



**Figure 3**

## Parts Chart for 7', 10' and 13' 6" Diameter Handrail

Part #	Description	Qty		
		For 7' (STR1013)	For 10' (STR1014)	For 13' 6" (STR1015)
STR0001	42" Handrail	-	16	22
STR0002	Entry Post Right 45"	1	1	1
STR0003	Entry Post Left 45"	1	1	1
STR0004	Peak Ring Post 48"	8	9	12
STR0005	Peak Ring Brace 48"	8	9	12
STR0006	10' Hardware Package	1	1	-
STR0007	13' 6" Hardware Package	-	-	1
STR0074	7' Handrail - 33"	14	-	-