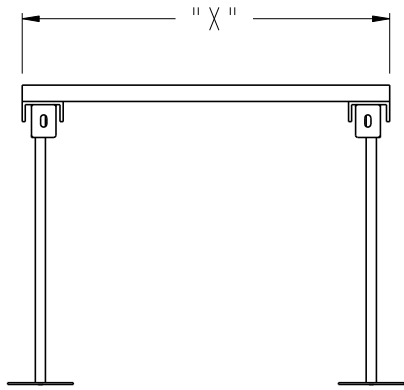


ITM	PART #	QTY	DESCRIPTION
1	FL-7100	2	FLOOR BRIDGE WELDMENT
2	FL7099	6	22.375" BRIDGE



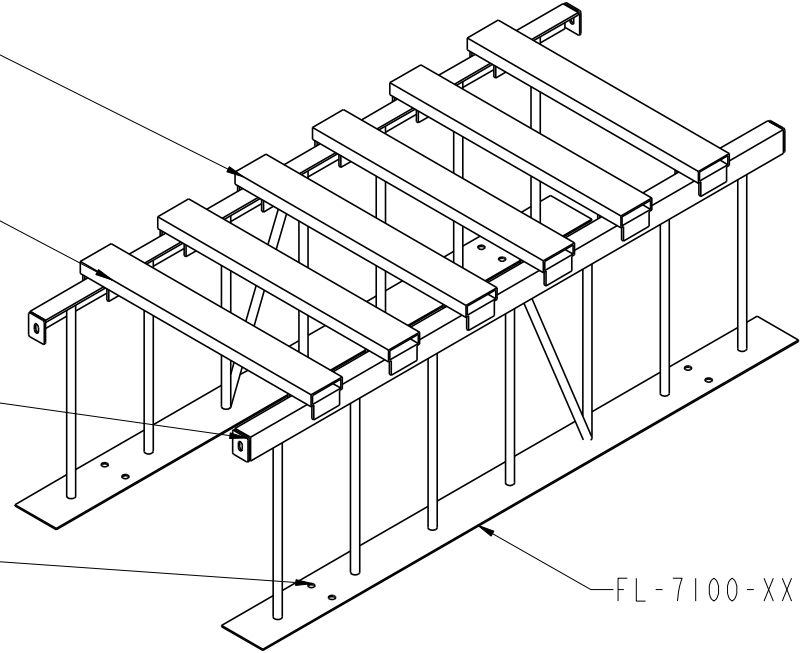
FRONT VIEW
SCALE 0.090

BRIDGE BEAM	LENGTH "X"
FL-7098	20.375"
FL-7099	22.375"

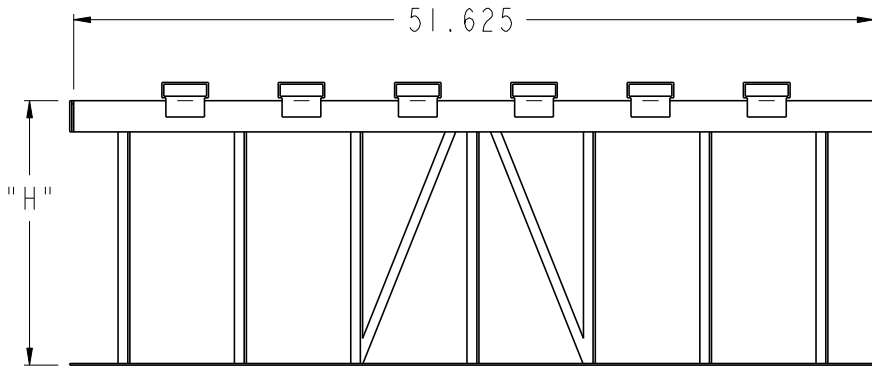
CENTER SUPPORT WELDMENT
ON FLOOR PLANKS
ONE SUPPORT UNDER EACH
FLOOR PLANK

ATTACH ADDITIONAL SUPPORTS WITH
5/16" X 1 1/4" HARDWARE

ATTACH TO CONCRETE
WITH 3/8" EXPANSIONS ANCHOR
ANCHOR 1 PER SUPPORT



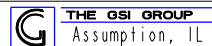
ISO VIEW
SCALE 0.080



SIDE VIEW
SCALE 0.085

BRIDGE BEAM SUPPORT	HEIGHT "H"
FL-7100-12	11.875"
FL-7100-15	14.375"
FL-7100-17	17.1875"

Stock Size	N/A		Sheet 1 of 1	IMW	N/A	Drawing No.
Material	N/A				Ship	
Weight Index	N/A	Sq. Ft.	N/A	Scale	NONE	PNEG-1411
Drawn By	MRH	Date	14-Sep-04	Work to Dimensions	Do Not Scale	
Checked By	TBD	Date	00-00-00			



Engineering Division:
GRAIN SYSTEMS

BRIDGE BEAM WELDMENT

COMPLETE ASSEM

TOLERANCES
(Unless Noted)
Fractions +/- 1/32"
Decimals +/- .031
Angles +/- 1.00

No.	FCN	Revision Description	Date	By