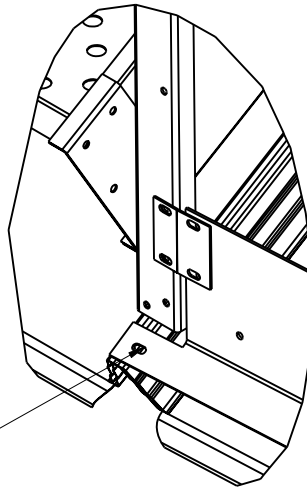


FIELD DRILL HOLES IN POST

DETAIL A
SCALE 0.125

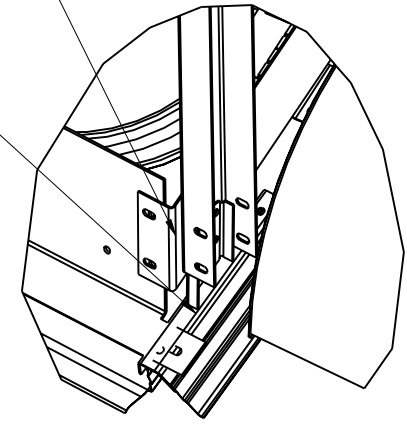


FIELD DRILL HOLE IN ROOF PANEL. TRIM ANGLE TO FIT

DETAIL B
SCALE 0.125

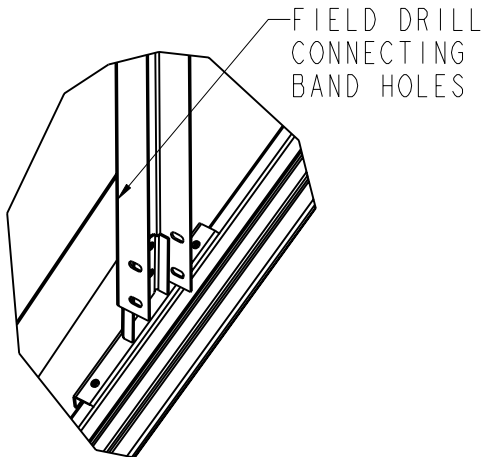
FIELD DRILL HOLES TO ATTACH CONNECTING BAND TO POST

FIELD DRILL HOLES FOR RIB BRACKET WELD (TYP ALL BRACKETS)



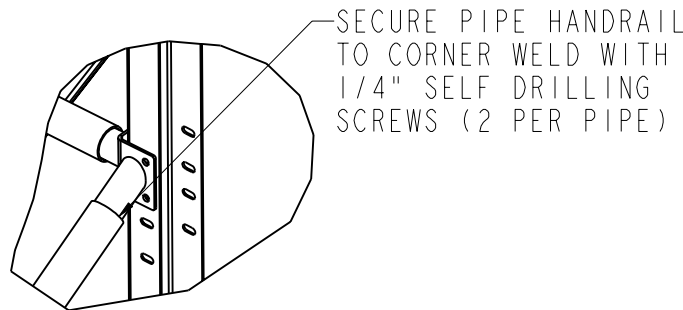
DETAIL C
SCALE 0.125

FIELD DRILL HOLES AS NECESSARY. USE 5/16" HARDWARE FOR ALL CONNECTIONS. USE A 5/16" WASHER FOR ALL SLOTTED CONNECTIONS. USE 1/4" SELF DRILLING SCREWS TO SECURE HANDRAILS TO CORNER WELDMENTS



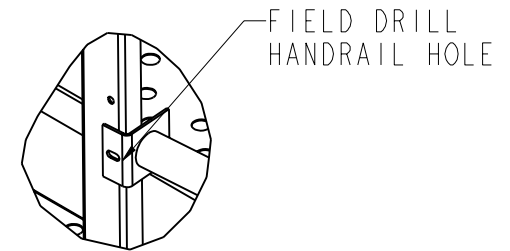
FIELD DRILL CONNECTING BAND HOLES

DETAIL D
SCALE 0.125



SECURE PIPE HANDRAIL TO CORNER WELD WITH 1/4" SELF DRILLING SCREWS (2 PER PIPE)

DETAIL E
SCALE 0.125



FIELD DRILL HANDRAIL HOLE

DETAIL F
SCALE 0.125

Stock Size: PAGE 2			
Material: N/A			
Sheet 2 of 2		IMW: N/A	Drawing No. PNEG-1442
Weight Index: N/A	Sq. Ft.: N/A	Ship Wt.: N/A	
Drawn By: TJH	Date: 04-Mar-05	Scale: NONE	
Checked By: TBD	Date: 00-00-00	Work to Dimensions Do Not Scale	

 THE GSI GROUP Assumption, IL		105' C SERIES ROOF STAIR ASSEMBLY		TOLERANCES (Unless Noted) Fractions +/- 1/32" Decimals +/- .031 Angles +/- 1.00	
Engineering Division: GRAIN SYSTEMS		GRAIN SYSTEMS		ASSEMBLY	
No.	ECN	Revision Description	Date	By	