



This handout is to be used for the installation of the truss kit only. For installation of, or problems with equipment other than truss kits, refer to the manual(s) pertaining to that product.

This truss kit is designed to provide support for auger sections up to 30' in length.

NOTE: *Augers over 30' long should use a permanent rigid type of support system to help minimize auger vibration.*

Figure 1 shows a cable truss kit as it may appear at a bin site where small diameter bins are used.

Figure 2 shows an alternative rigid system of support that uses a "stub tower" that bolts to the bin sides and attaches to the auger tubing with halfbands. A stub tower may originate from the ground and is usually used on larger size bins.

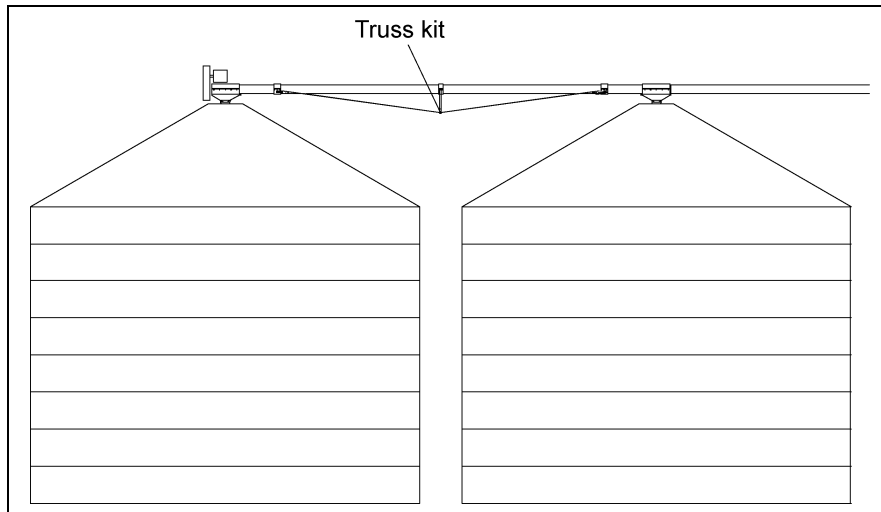


Figure 1

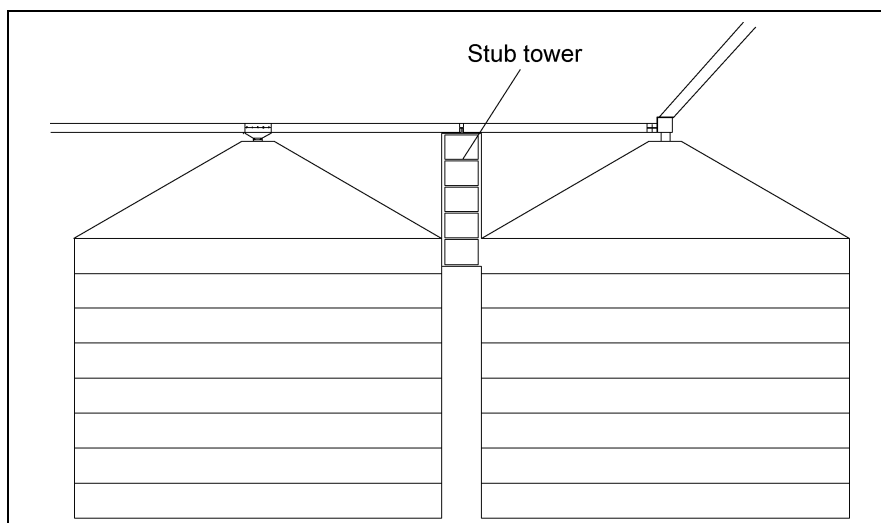


Figure 2

On most bins, the solid attach points are at the fill ring and sidewall. Use these when supporting overhead weight whenever possible.



6", 8" and 10" Truss Kit Assembly for 20' and 30' Spans

Assembly Instructions *(See Figures on Pages 3 and 4.)*

Step 1: Place the truss mount in the center of the tube that is to be trussed. Fasten the truss mount on the **underside** of tube using a plain 4" halfband and four (4) 3/8" x 1-1/2" long (grade 5) hex head cap screws and nylon lock nuts.

Step 2: Connect the vertical truss sides to the right and left sides of the truss mount using a 1/2" x 1-1/2" long (grade 5) hex head cap screw and nylon lock nut for each truss side.

Step 3: Connect the truss crossbrace between the right and left truss sides using two (2) 3/8" x 1-1/4" long (grade 5) hex head cap screws and nylon lock nuts.

Step 4: Position the halfbands with the truss cable anchors the same distance from the truss mount on opposite sides as close to the ends without interfering with other equipment. Attach the halfbands with the truss cable anchors to the underside of the tube using a plain 6" wide halfband and six (6) 3/8" x 1-1/2" long (grade 5) hex head cap screws and nylon lock nut per each clamp.

NOTE: *Truss cable anchors should be skip welded to the tube to prevent slipping.*

Step 5: Install the eye bolts through ears located on the bottom of one of the halfbands. Make sure the eye is pointing towards the truss assembly. Install one flat washer and two (2) non-lock nuts onto the end of each eye bolt. *(See Figure 5 on Page 3.)*

Step 6: Run cables through the cable anchor loops that are located on the bottom of one of the halfbands. Fasten cables using two (2) cable clamps per each cable.

NOTE: *Secure the U-bolt clamps against the loose end of the cable. (See Figure 6 on Page 4.)*

Step 7: Run the cables to the truss assembly and attach them to the truss sides using 3/8" cable clamps. *(See Figure 4 on Page 3.)* **DO NOT** tighten 3/8" cables clamps down at this time.

Step 8: Loop cables through eyes in eye bolts and fasten together using two (2) cable clamps per each cable.

NOTE: *Secure the U-bolt clamps against the loose end of the cable. (See Figure 5 on Page 3.)*

Step 9: Using the eye bolts, tighten the cables to remove slack until cables are tight. Tighten both cables so they have the same amount of tension. **DO NOT** overtighten. Sight down the tube to make sure all sections are straight.

Step 10: Go back and tighten the 3/8" cable clamps that hold the cables to truss sides.

6", 8" and 10" Truss Kit Assembly for 20' and 30' Spans

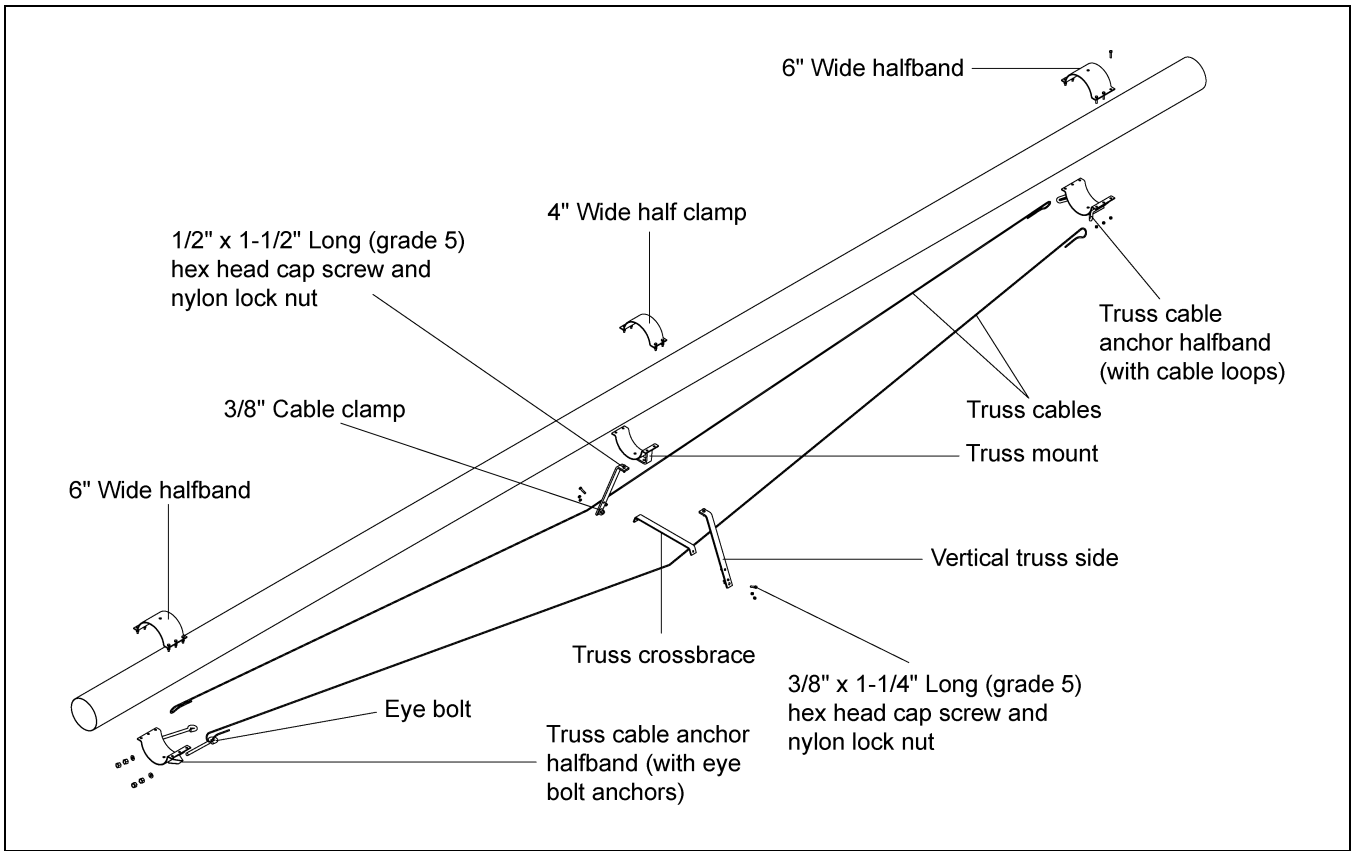


Figure 3 Exploded Assembly

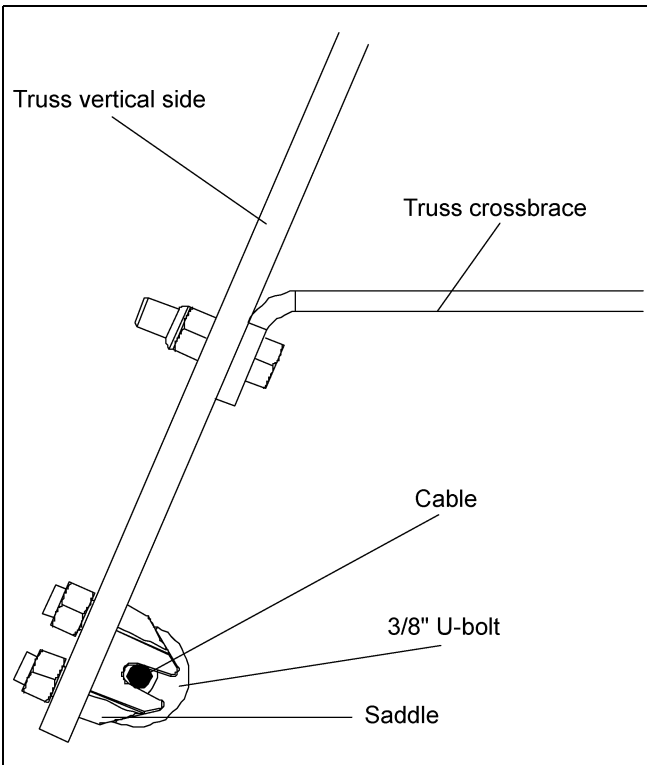


Figure 4 Truss and Cable Clamp Detail

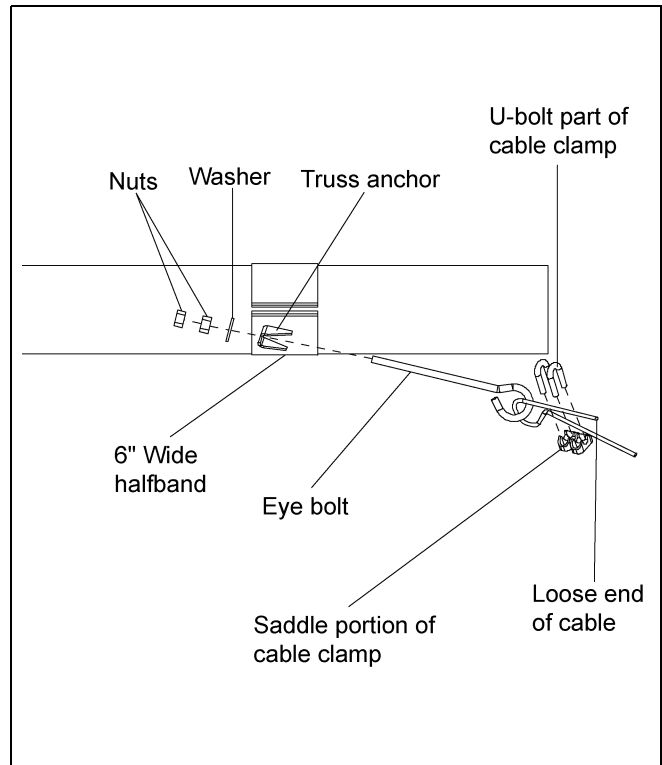


Figure 5 Eye Bolt Anchor Detail

6", 8" and 10" Truss Kit Assembly for 20' and 30' Spans

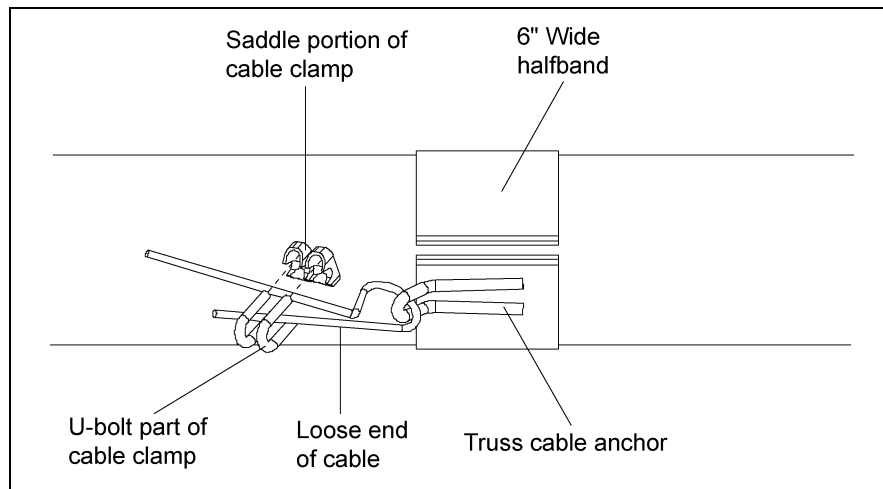


Figure 6 Loop Anchor Detail

6", 8" and 10" Truss Kit Parts List

Ref #	Part #	Description
1	GK4854	Band-On Truss Mount for 6" Tube
	GK1397	Band-On Truss Mount for 8" Tube
	GK1403	Band-On Truss Mount for 10" Tube
2	GK1185	4" Wide Half Clamp for 6" Tube
	GK2616	4" Wide Half Clamp for 8" Tube
	GK1407	4" Wide Half Clamp for 10" Tube
3	GK4856	6" Vertical Truss Straps
	GK1552	8" and 10" Vertical Truss Straps
4	GK4855	6" Crossbrace
	GK1568	8" Crossbrace
	GK1499	10" Crossbrace
5	GK4836	6" Band-On Truss Cable Anchor (with Cable Loops)
	GK1183	8" Band-On Truss Cable Anchor (with Cable Loops)
	GK3528	10" Band-On Truss Cable Anchor (with Cable Loops)
6	GK4835	6" Band-On Truss Cable Anchor (with Eye Bolt Ears)
	GK1030	8" Band-On Truss Cable Anchor (with Eye Bolt Ears)
	GK1458	10" Band-On Truss Cable Anchor (with Eye Bolt Ears)
7	GK1185	6" Wide Half Clamp for 6" Tube
	GK1326	6" Wide Half Clamp for 8" Tube
	GK1509	6" Wide Half Clamp for 10" Tube
8	GK4887	Truss Cable for 20' Span (1/4" x 24' Long)
	GK4725	Truss Cable for 30' Span (1/4" x 33' Long)
9	GK4749	1/2" Eye Bolt
10	S-4693	1/4" Cable Clamp
11	GK2759	3/8" Cable Clamp