

NCHTC
HOPPER TANKS

HEAVY-DUTY
STORAGE

GSI Take control.



NCHTC

HOPPER TANKS

Engineered Stronger

Features 2.66" corrugation sidewall sheets for applications where routine clean-out is required.

Built Like a Tank

Upgraded CTS stiffeners provide efficient strength and simplified construction. Four-bolt pattern on baseplates meet OSHA erection guidelines.

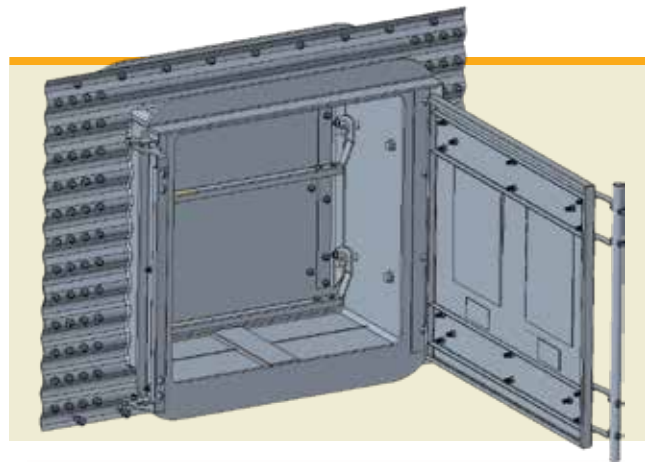
More Flexible

NCHTC Hopper Tanks are available with 40 degree, 45 degree, and 60 degree hoppers to meet many different requirements.



BUILT SAFER

Winding stairs option on NCHTC Hopper Tanks 21' and larger. A smooth, continuous handrail makes climbing easier and safer than traditional ladders.



EASIER ACCESS

A one-ring sidewall door meets ASABE standards for safety. A 35% larger opening for easier entry, ensures effortless and safe access. A hold-back is used in conjunction with the door handle.



HIGH PERFORMANCE AERATION SYSTEMS

Corrugated and perforated aeration tubes may be added for long term storage. Designed to provide solid attachment to the hopper and allow flow of grain around the tube. Combined with a GSI inline centrifugal or vane-axial fan, aeration systems offer unbeatable grain conditioning efficiency.



UNBEATABLE WEATHER PROTECTION

Galvanized rafter systems span from eave to peak. Roof ribs are taller, fully double-lapped and have four extra reinforcing ledges providing increased strength weather protection.



COMPLETE CLEAN-OUT

Optional hopper flashing is available to improve clean-out. Discharge gates, and outlet ring sizes of 16" and 22" are available.



ELECTRIC GATE

Operated via an easy-to-use control box, the electric gate uses a C-face worm reduction gearbox drive. Limit switches allow open/close positions to fit your specific needs.

NCHTC - 40° HOPPER

DIAMETER (FEET)	RINGS	MAX. CAPACITY (BU.)	EAVE HEIGHT (FEET)	PEAK HEIGHT (FEET)	CAPACITY (CUBIC FT.)	HOPPER CLEARANCE	METRIC TONS 800 KG/ M ³	METRIC TONS 721 KG/ M ³	METRIC TONS 640 KG/ M ³	EAVE HEIGHT (METERS)	PEAK HEIGHT (METERS)	MAX. CAP. (CUBIC METERS)
27	6	10313	28'5"	36'2"	12108	30"	291	262	233	8.66	11.02	343
	7	11600	31'1"	38'10"	13619	30"	327	295	262	9.47	11.84	386
	8	12886	33'9"	41'6"	15129	30"	363	327	291	10.29	12.65	428
	9	14173	36'5"	44'2"	16640	30"	400	360	320	11.10	13.46	471
	10	15460	39'1"	46'10"	18150	30"	436	393	349	11.91	14.27	514
	11	16746	41'9"	49'6"	19661	30"	472	426	378	12.72	15.09	557
	12	18033	44'5"	52'2"	21171	30"	508	458	407	13.54	15.90	600
	13	19319	47'1"	54'10"	22682	30"	545	491	436	14.35	16.71	642
	14	20606	49'9"	57'6"	24192	30"	581	524	465	15.16	17.53	685
	15	21892	52'5"	60'2"	25703	30"	617	556	494	15.98	18.34	728
	16	23179	55'1"	62'10"	27213	30"	654	589	523	16.79	19.15	771
	17	24465	57'9"	65'6"	28724	30"	690	622	552	17.60	19.96	813
	18	25752	60'5"	68'2"	30234	30"	726	654	581	18.41	20.78	856
19	27038	63'1"	70'10"	31745	30"	762	687	610	19.23	21.59	899	
20	28325	65'9"	76'6"	33255	30"	799	720	639	20.04	23.32	942	
30	6	13129	29'7"	38'2"	15415	30"	370	334	296	9.02	11.63	437
	7	14718	32'3"	40'10"	17279	30"	415	374	332	9.83	12.45	489
	8	16306	34'11"	43'6"	19144	30"	460	414	368	10.64	13.26	542
	9	17894	37'7"	46'2"	21009	30"	505	455	404	11.45	14.07	595
	10	19483	40'3"	48'10"	22874	30"	549	495	439	12.27	14.88	648
	11	21071	42'11"	51'6"	24739	30"	594	535	475	13.08	15.70	701
	12	22659	45'7"	54'2"	26603	30"	639	576	511	13.89	16.51	753
	13	24248	48'3"	56'10"	28468	30"	684	616	547	14.71	17.32	806
	14	25836	50'11"	59'6"	30333	30"	728	657	583	15.52	18.13	859
	15	27424	53'7"	62'2"	32198	30"	773	697	619	16.33	18.95	912
	16	29013	56'3"	64'10"	34063	30"	818	737	654	17.14	19.76	965
	17	30601	58'11"	67'6"	35927	30"	863	778	690	17.96	20.57	1017
	18	32189	61'7"	70'2"	37792	30"	908	818	726	18.77	21.39	1070
19	33778	64'3"	72'10"	39657	30"	952	858	762	19.58	22.20	1123	
20	35366	66'11"	75'6"	41522	30"	997	899	798	20.40	23.01	1176	
36	6	19976	32'2"	42'6"	23453	34"	563	508	451	9.80	12.95	664
	7	22263	34'10"	45'2"	26138	34"	628	566	502	10.62	13.77	740
	8	24550	37'6"	47'10"	28823	34"	692	624	554	11.43	14.58	816
	9	26837	40'2"	50'6"	31509	34"	757	682	605	12.24	15.39	892
	10	29125	42'10"	53'2"	34194	34"	821	740	657	13.05	16.20	968
	11	31412	45'6"	55'10"	36879	34"	886	798	709	13.87	17.02	1044
	12	33699	48'2"	58'6"	39564	34"	950	856	760	14.68	17.83	1120
	13	35986	50'10"	61'2"	42250	34"	1015	914	812	15.49	18.64	1197
	14	38273	53'6"	63'10"	44935	34"	1079	973	863	16.31	19.46	1273
	15	40561	56'2"	66'6"	47620	34"	1144	1031	915	17.12	20.27	1349
	16	42848	58'10"	69'2"	50306	34"	1208	1089	966	17.93	21.08	1425
	17	45135	61'6"	71'10"	52991	34"	1273	1147	1018	18.74	21.89	1501
	18	47422	64'2"	74'6"	55676	34"	1337	1205	1070	19.56	22.71	1577

NCHTC – 60° HOPPER

DIAMETER (FEET)	RINGS	MAX. CAPACITY (BU.)	EAVE HEIGHT (FEET)	PEAK HEIGHT (FEET)	CAPACITY (CUBIC FT.)	HOPPER CLEARANCE	METRIC TONS 800 KG/ M ³	METRIC TONS 721 KG/ M ³	METRIC TONS 640 KG/ M ³	EAVE HEIGHT (METERS)	PEAK HEIGHT (METERS)	MAX. CAP. (CUBIC METERS)
15	4	2331	25'3"	29'5"	2737	34"	66	59	53	7.70	8.97	78
	5	2728	27'11"	32'1"	3203	34"	77	69	62	8.51	9.78	91
	6	3125	30'7"	34'9"	3669	34"	88	79	70	9.32	10.59	104
	7	3522	33'3"	37'5"	4135	34"	99	90	79	10.13	11.40	117
	8	3919	35'11"	40'1"	4601	34"	111	100	88	10.95	12.22	130
	9	4316	38'7"	42'9"	5068	34"	122	110	97	11.76	13.03	144
	10	4713	41'3"	45'5"	5534	34"	133	120	106	12.57	13.84	157
	11	5111	43'11"	48'1"	6000	34"	144	130	115	13.39	14.66	170
	12	5508	46'7"	50'9"	6466	34"	155	140	124	14.20	15.47	183
	13	5905	49'3"	53'5"	6932	34"	166	150	133	15.01	16.28	196
	14	6302	51'11"	56'1"	7399	34"	178	160	142	15.82	17.09	210
	15	6699	54'7"	58'9"	7865	34"	189	170	151	16.64	17.91	223
	16	7096	57'3"	61'5"	8331	34"	200	180	160	17.45	18.72	236
17	7493	59'11"	64'1"	8797	34"	211	190	169	18.26	19.53	249	
18	5	4162	30'6"	35'7"	4886	34"	117	106	94	9.30	10.85	138
	6	4734	33'2"	38'3"	5558	34"	133	120	107	10.11	11.66	157
	7	5306	35'10"	40'11"	6229	34"	150	135	120	10.92	12.47	176
	8	5877	38'6"	43'7"	6900	34"	166	149	133	11.73	13.28	195
	9	6449	41'2"	46'3"	7572	34"	182	164	145	12.55	14.10	214
	10	7021	43'10"	48'11"	8243	34"	198	178	158	13.36	14.91	233
	11	7593	46'6"	51'7"	8914	34"	214	193	171	14.17	15.72	252
	12	8165	49'2"	54'3"	9586	34"	230	207	184	14.99	16.53	271
	13	8736	51'10"	56'11"	10257	34"	246	222	197	15.80	17.35	290
	14	9308	54'6"	59'7"	10928	34"	262	237	210	16.61	18.16	309
	15	9880	57'2"	62'3"	11600	34"	279	251	223	17.42	18.97	329
	16	10452	59'10"	64'11"	12271	34"	295	266	236	18.24	19.79	348
	17	11024	62'6"	67'7"	12942	34"	311	280	249	19.05	20.60	367
18	11595	65'2"	70'3"	13614	34"	327	295	262	19.86	21.41	386	
19	12167	67'10"	72'11"	14285	34"	343	309	274	20.67	22.22	405	
21	6	6768	35'9"	41'9"	7946	34"	191	172	153	10.90	12.72	225
	7	7546	38'5"	44'5"	8860	34"	213	192	170	11.71	13.54	251
	8	8325	41'1"	47'1"	9774	34"	235	212	188	12.52	14.35	277
	9	9103	43'9"	49'9"	10687	34"	257	231	205	13.33	15.16	303
	10	9881	46'5"	52'5"	11601	34"	279	251	223	14.15	15.98	329
	11	10659	49'1"	55'1"	12515	34"	301	271	240	14.96	16.79	354
	12	11438	51'9"	57'9"	13429	34"	322	291	258	15.77	17.60	380
	13	12216	54'5"	60'5"	14342	34"	344	310	276	16.59	18.41	406
	14	12994	57'1"	63'1"	15256	34"	366	330	293	17.40	19.23	432
	15	13773	59'9"	65'9"	16170	34"	388	350	311	18.21	20.04	458
	16	14551	62'5"	68'5"	17084	34"	410	370	328	19.02	20.85	484
	17	15329	65'1"	71'1"	17997	34"	432	390	346	19.84	21.67	510
	18	16107	67'9"	73'9"	18911	34"	454	409	363	20.65	22.48	536
19	16886	70'5"	76'5"	19825	34"	476	429	381	21.46	23.29	561	
20	17664	73'1"	79'1"	20739	34"	498	449	398	22.27	24.10	587	

NCHTC - 45° HOPPER

DIAMETER (FEET)	RINGS	MAX. CAPACITY (BU.)	EAVE HEIGHT (FEET)	PEAK HEIGHT (FEET)	CAPACITY (CUBIC FT.)	HOPPER CLEARANCE	METRIC TONS 800 KG/ M ³	METRIC TONS 721 KG/ M ³	METRIC TONS 640 KG/ M ³	EAVE HEIGHT (METERS)	PEAK HEIGHT (METERS)	MAX. CAP. (CUBIC METERS)
12	6	1794	24'2"	27'7"	2106	34"	51	46	40	7.37	8.41	60
	7	2048	26'10"	30'3"	2404	34"	58	52	46	8.18	9.22	68
	8	2302	29'6"	32'11"	2702	34"	65	58	52	8.99	10.03	77
	9	2556	32'2"	35'7"	3001	34"	72	65	58	9.80	10.85	85
	10	2810	34'10"	38'3"	3299	34"	79	71	63	10.62	11.66	93
	11	3064	37'6"	40'11"	3598	34"	86	78	69	11.43	12.47	102
	12	3318	40'2"	43'7"	3896	34"	94	84	75	12.24	13.28	110
	13	3572	42'10"	46'3"	4194	34"	101	91	81	13.05	14.10	119
	14	3827	45'6"	48'11"	4493	34"	108	97	86	13.87	14.91	127
15	4	2096	20'2"	24'6"	2460	34"	59	53	47	6.15	7.47	70
	5	2493	22'10"	27'2"	2927	34"	70	63	56	6.96	8.28	83
	6	2890	25'6"	29'10"	3393	34"	81	73	65	7.77	9.09	96
	7	3287	28'2"	32'6"	3859	34"	93	84	74	8.58	9.91	109
	8	3684	30'10"	35'2"	4325	34"	104	94	83	9.40	10.72	122
	9	4081	33'6"	37'10"	4791	34"	115	104	92	10.21	11.53	136
	10	4478	36'2"	40'6"	5258	34"	126	114	101	11.02	12.34	149
	11	4875	38'10"	43'2"	5724	34"	137	124	110	11.84	13.16	162
	12	5272	41'6"	45'10"	6190	34"	149	134	119	12.65	13.97	175
18	5	3747	24'6"	29'10"	4399	34"	106	95	85	7.47	9.09	125
	6	4319	27'2"	32'6"	5070	34"	122	110	97	8.28	9.91	144
	7	4890	29'10"	35'2"	5742	34"	138	124	110	9.09	10.72	163
	8	5462	32'6"	37'10"	6413	34"	154	139	123	9.91	11.53	182
	9	6034	35'2"	40'6"	7084	34"	170	153	136	10.72	12.34	201
	10	6606	37'10"	43'2"	7756	34"	186	168	149	11.53	13.16	220
	11	7178	40'6"	45'10"	8427	34"	202	182	162	12.34	13.97	239
	12	7749	43'2"	48'6"	9098	34"	218	197	175	13.16	14.78	258
	13	8321	45'10"	52'2"	9770	34"	235	211	188	13.97	15.90	277
14	8893	48'6"	53'10"	10441	34"	251	226	201	14.78	16.41	296	
15	9465	51'2"	56'6"	11112	34"	267	241	213	15.59	17.22	315	
16	10037	53'10"	59'2"	11784	34"	283	255	226	16.41	18.03	334	
17	10608	56'6"	61'10"	12455	34"	299	270	239	17.22	18.85	353	
18	11180	59'2"	64'6"	13126	34"	315	284	252	18.03	19.66	372	
19	11752	61'10"	67'2"	13798	34"	331	299	265	18.85	20.47	391	
20	12324	64'6"	69'10"	14469	34"	347	313	278	19.66	21.28	410	

NCHTC - 45° HOPPER

DIAMETER (FEET)	RINGS	MAX. CAPACITY (BU.)	EAVE HEIGHT (FEET)	PEAK HEIGHT (FEET)	CAPACITY (CUBIC FT.)	HOPPER CLEARANCE	METRIC TONS 800 KG/ M ³	METRIC TONS 721 KG/ M ³	METRIC TONS 640 KG/ M ³	EAVE HEIGHT (METERS)	PEAK HEIGHT (METERS)	MAX. CAP. (CUBIC METERS)
21	6	6097	28'7"	34'7"	7158	34"	172	155	138	8.71	10.54	203
	7	6875	31'3"	37'3"	8071	34"	194	175	155	9.52	11.35	229
	8	7653	33'11"	39'11"	8985	34"	216	194	173	10.34	12.17	254
	9	8431	36'7"	42'7"	9899	34"	238	214	190	11.15	12.98	280
	10	9210	39'3"	45'3"	10813	34"	260	234	208	11.96	13.79	306
	11	9988	41'11"	47'11"	11726	34"	282	254	225	12.78	14.60	332
	12	10766	44'7"	50'7"	12640	34"	304	274	243	13.59	15.42	358
	13	11545	47'3"	53'3"	13554	34"	326	293	260	14.40	16.23	384
	14	12323	49'11"	55'11"	14468	34"	347	313	278	15.21	17.04	410
	15	13101	52'7"	58'7"	15381	34"	369	333	296	16.03	17.86	436
	16	13879	55'3"	61'3"	16295	34"	391	353	313	16.84	18.67	461
	17	14658	57'11"	63'11"	17209	34"	413	372	331	17.65	19.48	487
	18	15436	60'7"	66'7"	18123	34"	435	392	348	18.46	20.29	513
19	16214	63'3"	69'3"	19036	34"	457	412	366	19.28	21.11	539	
20	16992	65'11"	71'11"	19950	34"	479	432	383	20.09	21.92	565	
24	5	7229	27'5"	34'3"	8488	34"	204	184	163	8.36	10.44	240
	6	8246	30'1"	36'11"	9681	34"	232	210	186	9.17	11.25	274
	7	9262	32'9"	39'7"	10875	34"	261	235	209	9.98	12.06	308
	8	10279	35'5"	42'3"	12068	34"	290	261	232	10.79	12.88	342
	9	11295	38'1"	44'11"	13262	34"	318	287	255	11.61	13.69	376
	10	12312	40'9"	47'7"	14455	34"	347	313	278	12.42	14.50	409
	11	13329	43'5"	50'3"	15648	34"	376	339	301	13.23	15.32	443
	12	14345	46'1"	52'11"	16842	34"	404	365	324	14.05	16.13	477
	13	15362	48'9"	55'7"	18035	34"	433	390	347	14.86	16.94	511
	14	16378	51'5"	58'3"	19229	34"	462	416	369	15.67	17.75	545
	15	17395	54'1"	60'11"	20422	34"	490	442	392	16.48	18.57	578
	16	18411	56'9"	63'7"	21616	34"	519	468	415	17.30	19.38	612
	17	19428	59'5"	66'3"	22809	34"	548	494	438	18.11	20.19	646
18	20444	62'1"	68'11"	24003	34"	576	520	461	18.92	21.00	680	
19	21461	64'9"	71'7"	25196	34"	605	545	484	19.73	21.82	714	
20	22477	67'5"	74'3"	26390	34"	634	571	507	20.55	22.63	747	
21	23494	70'1"	76'11"	27583	34"	662	597	530	21.36	23.44	781	
22	24510	72'9"	79'7"	28777	34"	691	623	553	22.17	24.26	815	
27	6	10736	31'7"	39'3"	12605	34"	303	273	242	9.63	11.96	357
	7	12023	34'3"	41'11"	14116	34"	339	306	271	10.44	12.78	400
	8	13309	36'11"	44'7"	15626	34"	375	338	300	11.25	13.59	443
	9	14596	39'7"	47'3"	17136	34"	412	371	329	12.06	14.40	485
	10	15883	42'3"	49'11"	18647	34"	448	404	358	12.88	15.21	528
	11	17169	44'11"	52'7"	20157	34"	484	436	387	13.69	16.03	571
	12	18456	47'7"	55'3"	21668	34"	520	469	416	14.50	16.84	614
	13	19742	50'3"	57'11"	23178	34"	557	502	445	15.32	17.65	656
	14	21029	52'11"	60'7"	24689	34"	593	534	474	16.13	18.46	699
	15	22315	55'7"	63'3"	26199	34"	629	567	503	16.94	19.28	742
	16	23602	58'3"	65'11"	27710	34"	665	600	532	17.75	20.09	785
	17	24888	60'11"	68'7"	29220	34"	702	632	561	18.57	20.90	828
	18	26175	63'7"	71'3"	30731	34"	738	665	590	19.38	21.72	870
19	27461	66'3"	73'11"	32241	34"	774	698	619	20.19	22.53	913	
20	28748	68'11"	76'7"	33752	34"	811	731	648	21.00	23.34	956	

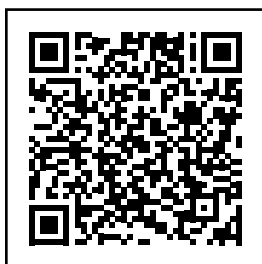
NCHTC – 45° HOPPER

DIAMETER (FEET)	RINGS	MAX. CAPACITY (BU.)	EAVE HEIGHT (FEET)	PEAK HEIGHT (FEET)	CAPACITY (CUBIC FT.)	HOPPER CLEARANCE	METRIC TONS 800 KG/ M ³	METRIC TONS 721 KG/ M ³	METRIC TONS 640 KG/ M ³	EAVE HEIGHT (METERS)	PEAK HEIGHT (METERS)	MAX. CAP. (CUBIC METERS)
30	6	13721	33'0"	41'8"	16109	34"	387	349	309	10.06	12.70	456
	7	15309	35'8"	44'4"	17974	34"	432	389	345	10.87	13.51	509
	8	16898	38'4"	47'0"	19839	34"	476	429	381	11.68	14.32	562
	9	18486	41'0"	49'8"	21704	34"	521	470	417	12.50	15.14	615
	10	20074	43'8"	52'4"	23568	34"	566	510	453	13.31	15.95	667
	11	21663	46'4"	55'0"	25433	34"	611	550	489	14.12	16.76	720
	12	23251	49'0"	57'8"	27298	34"	656	591	524	14.93	17.58	773
	13	24839	51'8"	60'4"	29163	34"	700	631	560	15.75	18.39	826
	14	26428	54'4"	63'0"	31028	34"	745	672	596	16.56	19.20	879
	15	28016	57'0"	65'8"	32892	34"	790	712	632	17.37	20.01	932
	16	29604	59'8"	68'4"	34757	34"	835	752	668	18.19	20.83	984
	17	31193	62'4"	71'0"	36622	34"	879	793	704	19.00	21.64	1037
	18	32781	64'0"	73'8"	38487	34"	924	833	739	19.51	22.45	1090
19	34369	67'8"	76'4"	40352	34"	969	873	775	20.62	23.27	1143	
20	35958	70'4"	79'0"	42216	34"	1014	914	811	21.44	24.08	1196	
36	6	21007	36'4"	46'8"	24664	38"	592	534	474	11.07	14.22	698
	7	23295	39'0"	49'4"	27349	38"	657	592	525	11.89	15.04	775
	8	25582	41'8"	52'0"	30034	38"	721	650	577	12.70	15.85	851
	9	27869	44'4"	54'8"	32720	38"	786	708	629	13.51	16.66	927
	10	30156	47'0"	57'4"	35405	38"	850	766	680	14.32	17.47	1003
	11	32443	49'8"	60'0"	38090	38"	915	824	732	15.14	18.29	1079
	12	34731	52'4"	62'8"	40776	38"	979	883	783	15.95	19.10	1155
	13	37018	55'0"	65'4"	43461	38"	1044	941	835	16.76	19.91	1231
	14	39305	57'8"	68'0"	46146	38"	1108	999	887	17.58	20.73	1307
	15	41592	60'4"	70'8"	48832	38"	1173	1057	938	18.39	21.54	1383
	16	43879	63'0"	73'4"	51517	38"	1237	1115	990	19.20	22.35	1459
	17	46167	65'8"	76'0"	54202	38"	1302	1173	1041	20.01	23.16	1535
	18	48454	68'4"	78'8"	56888	38"	1366	1231	1093	20.83	23.98	1611
19	50741	71'0"	81'4"	59573	38"	1431	1289	1145	21.64	24.79	1687	
20	53028	73'8"	84'0"	62258	38"	1495	1348	1196	22.45	25.60	1763	
21	55315	76'4"	86'8"	64943	38"	1560	1406	1248	14.12	26.41	1839	
22	57603	79'0"	89'4"	67629	38"	1624	1464	1299	24.08	27.23	1915	

Cubic Meters based on 28 degree angle of repose. All commercial bins are designed for the storage of grain and other free-flowing materials weighing up to 52 lbs. per cubic foot. Maximum bushel capacity based on 6% compaction. Maximum storage capacities reflect grain peaked on center, using an angle of repose of 28 degrees. Other ring heights available in some diameters. Peak heights shown for 30 degree slope roofs.

Approximate Typical Grain Densities: Corn 721 kg/m³ [45 lb/ft³]; Wheat 800 kg/m³ [50 lb/ft³]; Rice 640 kg/m³ [40 lb/ft³]

Visit grainsystems.com for product specs and info



Contact your GSI Dealer for more information.



© 2025 Grain and Protein Technologies. All rights reserved. GSI reserves the right to change designs and specifications without notice.

GS-007 / OCTOBER 2025