



Transition Assembly

READ ALL INSTRUCTIONS PRIOR TO ASSEMBLING TRANSITION.



DO NOT CUT STIFFENERS.

If stiffeners do not fit as they should, call the GSI engineering department. Cutting stiffeners to fit will cause structural damage and possible bin failure. The stiffener must continue through the transition to the foundation.

Instructions

1. Transition opening location must be centered on sidewall stiffener. (See Figure 1.) Transition opening must be cut 54" x 11" and 2" above the concrete. **Remove stiffener before cutting sidewall.** Cut sidewall to dimensions given to ensure proper fit.
2. An access hole must be cut for the stiffener in bottom of the transition housing. Cut a 4-3/4" x 7-1/4" hole in the bottom center of the transition before attaching the transition to the bin. (See Figure 3 on Page 2.)
3. Apply a generous bead of caulk around the perimeter of the opening. Place transition assembly over the transition opening. Fasten the side of the transition collar to the bin using self-tapping screws. Field drill the top of the transition collar to line up with the plenum bolt holes in the bin. (See Figure 4 on Page 3.)
4. Field drill the stiffener bolt(s) through the transition collar so they are aligned.
5. A hole must be cut in the top center of the transition housing. Mark a 7-1/4" x 8" wide opening for the stiffener to enter. Cut along the line. The bottom edge of the entrance collar will also need to be trimmed to provide clear access for stiffener. Place stiffener through transition housing and attach to sidewall. Be sure stiffener anchor is located on anchor bolt. Place washer and nut on anchor bolt and tighten. (See Figure 5 on Page 3.)
6. If you do not have the optional transition seal kit, make a plate to seal around the stiffener at the top and bottom of the housing to minimize air loss. Make sure to caulk around the plate before fastening to transition housing.

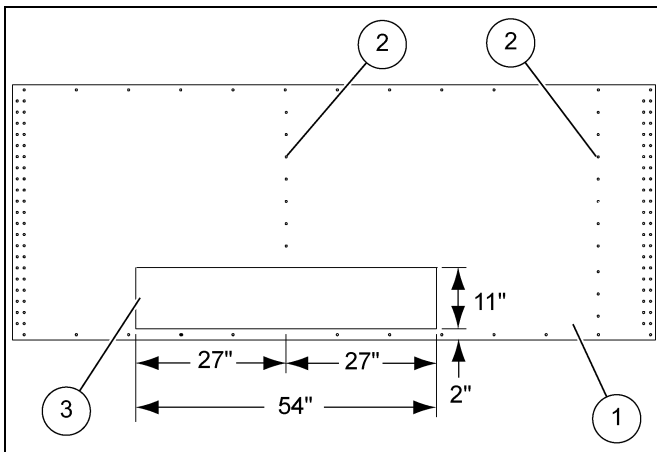


Figure 1 Viewed from Inside of Bin

Ref #	Description
1	Sidewall Sheet
2	Stiffener Bolt Holes
3	Transition opening in sidewall sheet.



F-C Transition Stiffener Seal Kit Assembly

Seal Kit (TR-5062) (Optional)

1. The air deflector included in seal kit (TR-5062) may be installed over stiffener (9) at customer's request.
2. Caulk stiffener/transition cover plates on one side of cover plate (10) along the three straight edges. *(See Figure 2.)*
3. Place stiffener-transition cover plate (10) on top of transition housing (4) and use the self-drilling screws (11) to fasten cover plate (10) to transition.
4. Repeat this procedure on the inside bottom of the transition housing (4). The cover plates (10) must be trimmed to fit properly on the bottom. Caulk (3) everything well when plates have been secured.
5. For non-oval transitions with rectangular entrance ducts, use the plates (TR-7078 and TR-7079) to seal both the bottom and top penetration as with the oval transition, the cover plates will need to be trimmed to fit as necessary and everything should be caulked and sealed well.

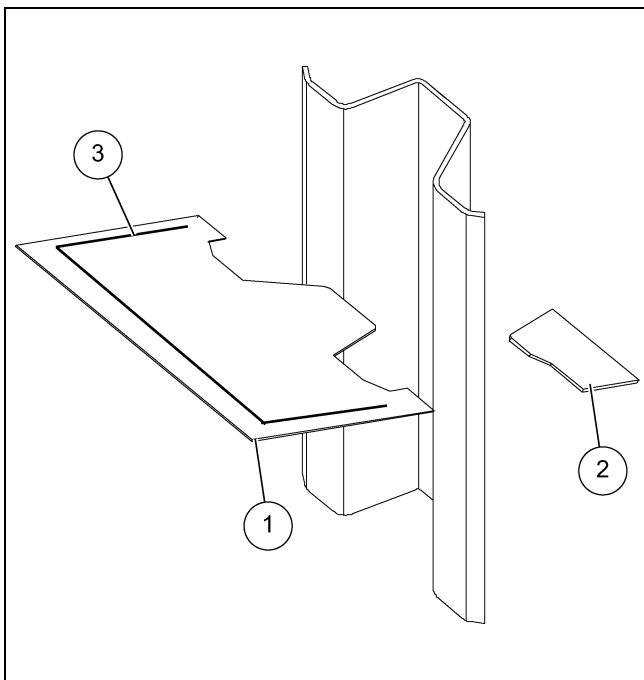


Figure 2

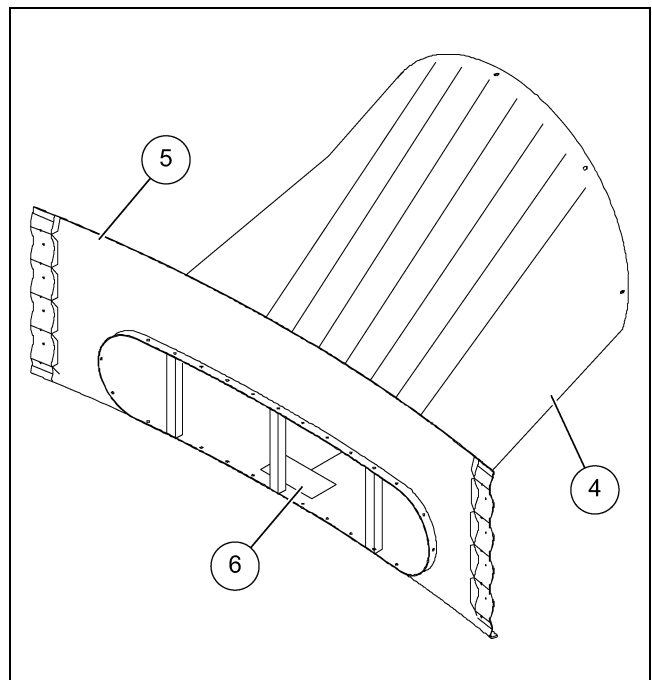


Figure 3

Ref #	Description
1	Cover Plate "A" (Top - TR-6966 and Bottom - TR-7078)
2	Cover Plate "B" (Top - TR-6967 and Bottom - TR-7079)
3	Caulk (On Bottom of Plate)
4	Transition Housing
5	Transition Collar
6	Inside Bottom Cutout Location (4-3/4" x 7-1/4")

F-C Transition Stiffener Seal Kit Assembly

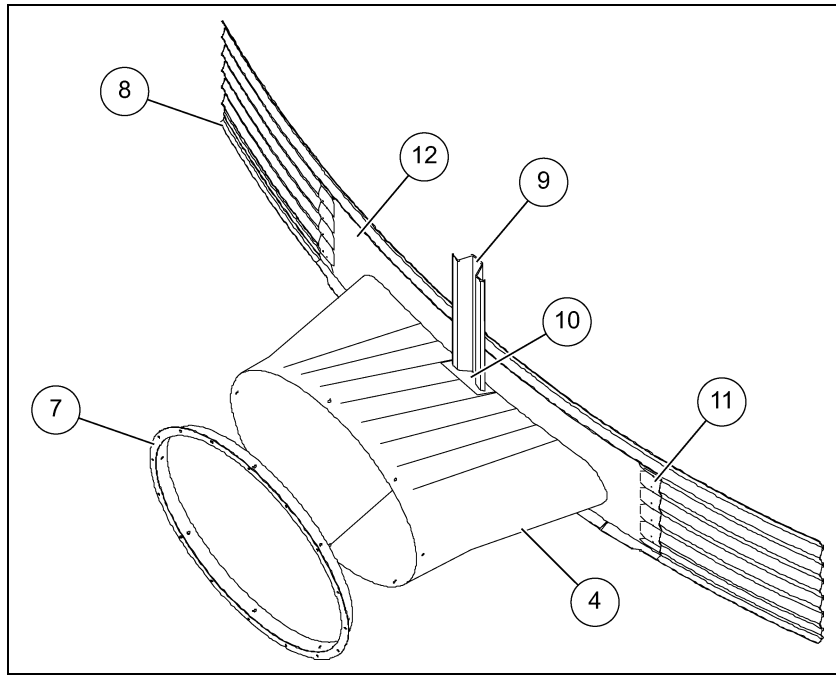


Figure 4

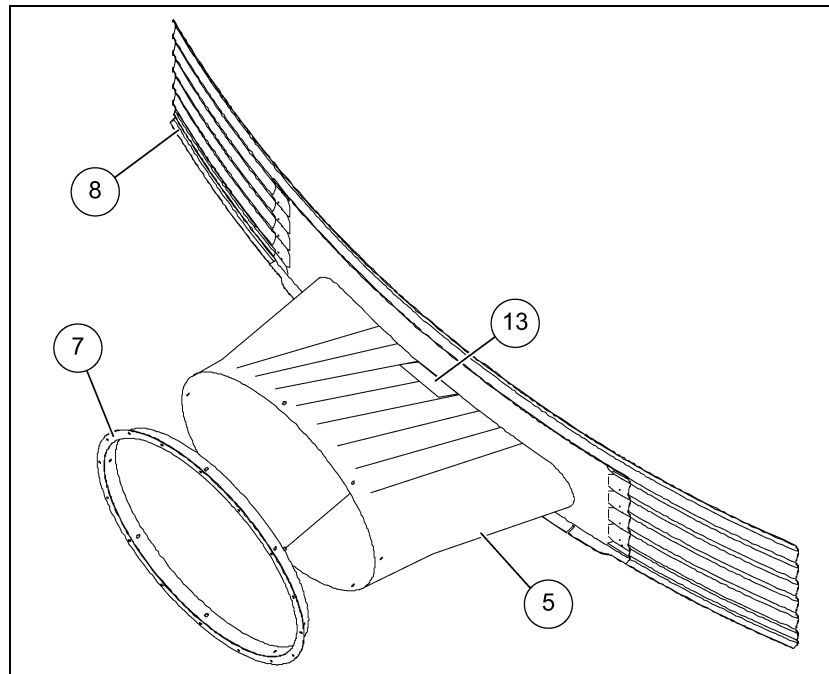


Figure 5

Ref #	Description
4	Transition Housing
7	Transition Face Collar
8	Bin Sidewall Sheet
9	Stiffener

Ref #	Description
10	Cover Plate (caulk around plate)
11	Self-Tapping screws along side of collar.
12	Field drill along top of collar to match with plenum holes.
13	Cutout location in top of transition housing.

F-C Transition Stiffener Seal Kit Assembly

Universal Stiffener Seal Kit

Seal Kit (TR-7067) (Optional)

Air deflector included in seal kit (TR-7067) may be installed over stiffener at customer's request.

An access hole must be cut for the stiffener in bottom of the transition housing. Cut a 9" x 6" hole in the bottom center of the transition before attaching the transition to the bin. Attach transition to sidewall sheet as shown in [Figure 6](#). Field drill 3/8" stiffener holes through transition entrance collar. A hole must now be cut in the top center of the transition. Mark a 9" wide x 6" opening for the stiffener to enter. Cut along the line. Bottom edge of entrance collar will also need to be trimmed to provide clear access for stiffener (4).

Place stiffener (4) through transition housing and attach to sidewall. Be sure stiffener anchor is located on anchor bolt. Place washer and nut on anchor bolt and tighten.

Stiffener-transition cover plates are supplied to seal stiffener to the transition housing. Caulk one side of cover plate on the three straight edges. Place stiffener-transition cover plate on top of transition housing and use the self-drilling screws to fasten cover plate to transition. Repeat this procedure on the inside bottom of the transition housing. The cover plates must be trimmed to fit properly on the bottom. Caulk and seal everything well when plates have been secured.

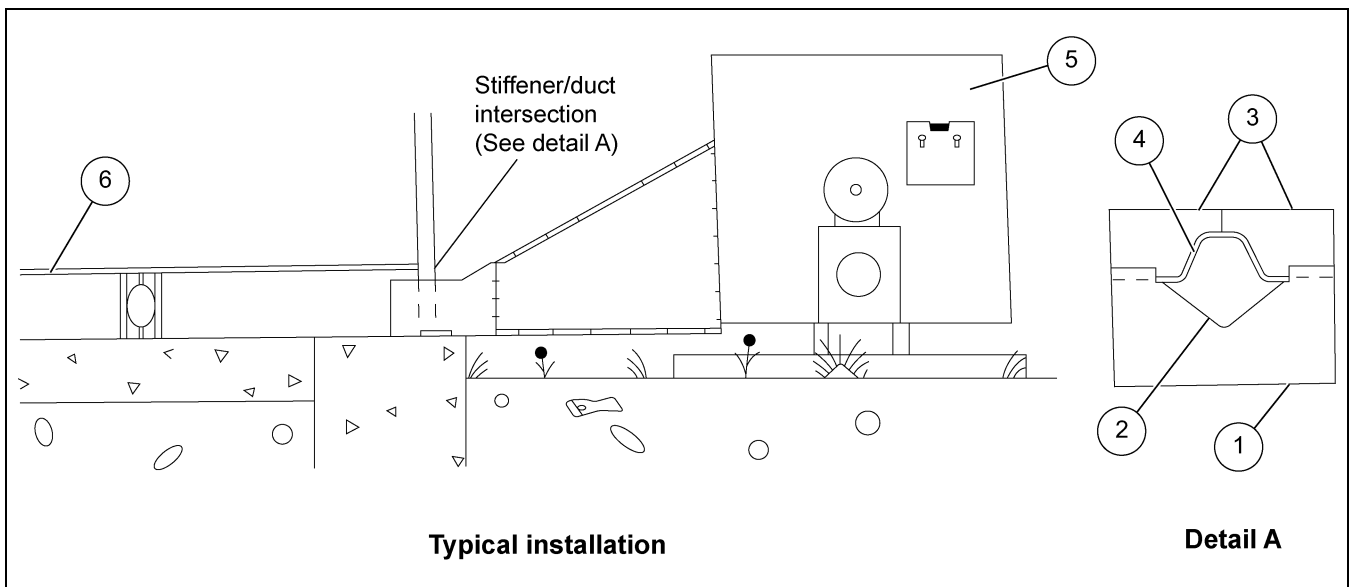


Figure 6

Ref #	Part #	Description
1	TR-6945	Stiffener Flashing Plate "A"
2	TR-6954	Stiffener Air Deflection
3	TR-6946	Stiffener Flashing Plate "B"
4		Stiffener
5		Centrifugal Fan
6		Perforated Flooring