



# 12"-18" Full Floor Transition

When installing the GSI aeration transition, it will be necessary to field cut a hole into the bottom sidewall ring. Refer to [Figure 1](#) for proper dimensions of cut-out. Take note of the diagram showing the 1" dimension from bottom of entrance collar side bracket (8) to concrete. This dimension is important for proper fit of transition.

Field drill bolt holes into sidewall sheet for entrance collar sides and sizing angle (5). Completely seal all possible spots for water and air leakage with the provided tube caulking.

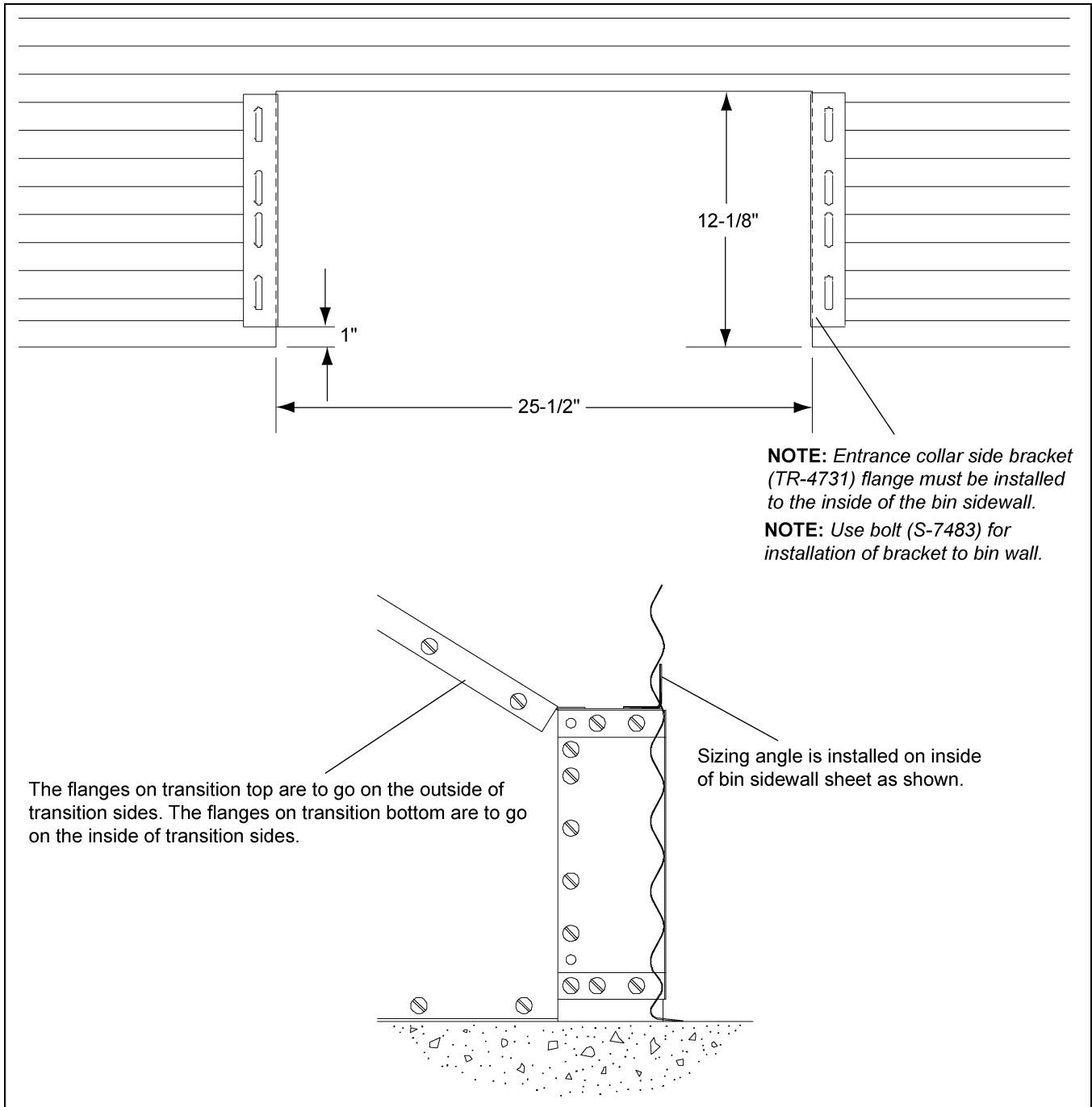
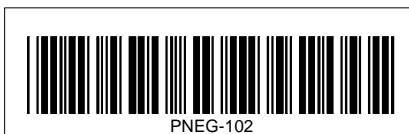
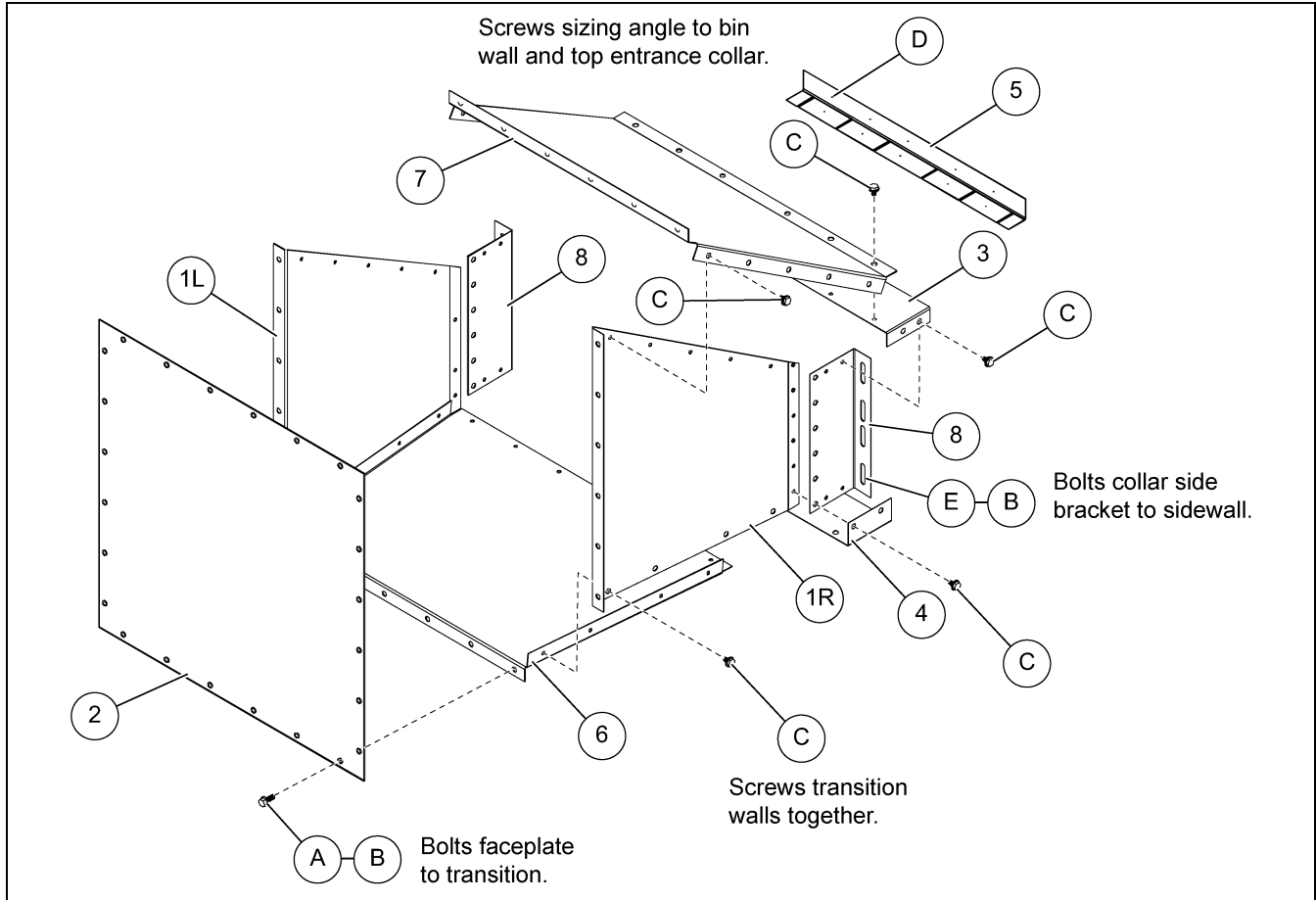


Figure 1 As Viewed from Inside of Bin



# 12"-18" Full Floor Transition

## Transition Assembly (TR-4734)



Ref #	Part #	Description	Qty
1L	TR-4724-1	Transition Side - Left	1
1R	TR-4724-2	Transition Side - Right	1
2	TR-4767	Transition Faceplate	1
3	TR-4726	Top Entrance Collar Piece	1
4	TR-4727	Bottom Entrance Collar Piece	1
5	TR-4728	Sizing Angle	1
6	TR-4729	Transition Bottom	1
7	TR-4730	Transition Top	1
8	TR-4731	Entrance Collar Side Bracket	2
	<b>TR-4733</b>	<b>12"-18" TopDry Transition Hardware Package</b>	<b>1</b>
A	S-10260	Flange Bolt 5/16"-18 x 1" JS500 Grade 8 or Grade 8.2 with Sealing Washer	25
B	S-396	Hex Nut 5/16"-18 YDP Grade 2	35
C	S-7221	Screw, SMSA 5/16" x 3/4" HWH ZN Grade 2	44
D	S-7621	Screw, SDS #10-16 x 1" HWH ZN Grade 2	10
E	S-7483	Flange Bolt 5/16"-18 x 1-1/4" JS500 Grade 8 or Grade 8.2 Full Threaded with Sealing Washer	10