



# FLUSH FLOOR AERATION (USING TR-1737 TRANSITION)

## ASSEMBLY INSTRUCTIONS

This transition is used in Farm Bin aeraton systems (N series bins to 12 rings tall) or in Commercial Tank aeration systems using 12" - 18" axial fans. The cross section views shown below apply to the trench only for the length of the steel inlet duct.

## ASSEMBLY

Assemble two inlet duct sections FL-460 to form a box.

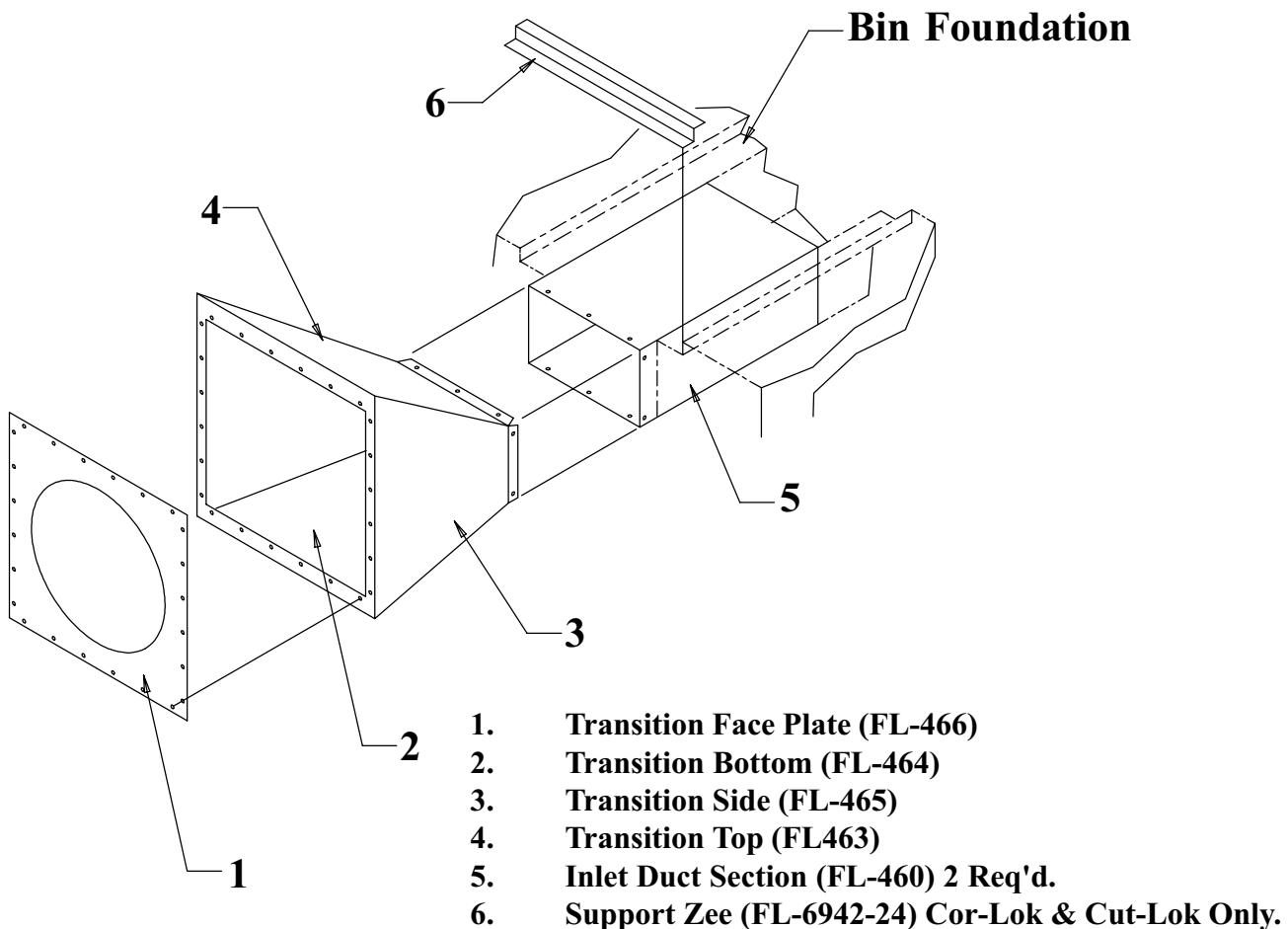
Assemble transition as shown below and bolt to inlet duct. Use 5/16" x 3/4" bin bolts.

Next, caulk all seams.

## IMPORTANT

If corrugated sections are to be used, turn to page 2.

If Cor-Lok or Cut-Lok are to be used, see page 3.



# FORM DETAILS USING CORRUGATED FLOOR SECTIONS

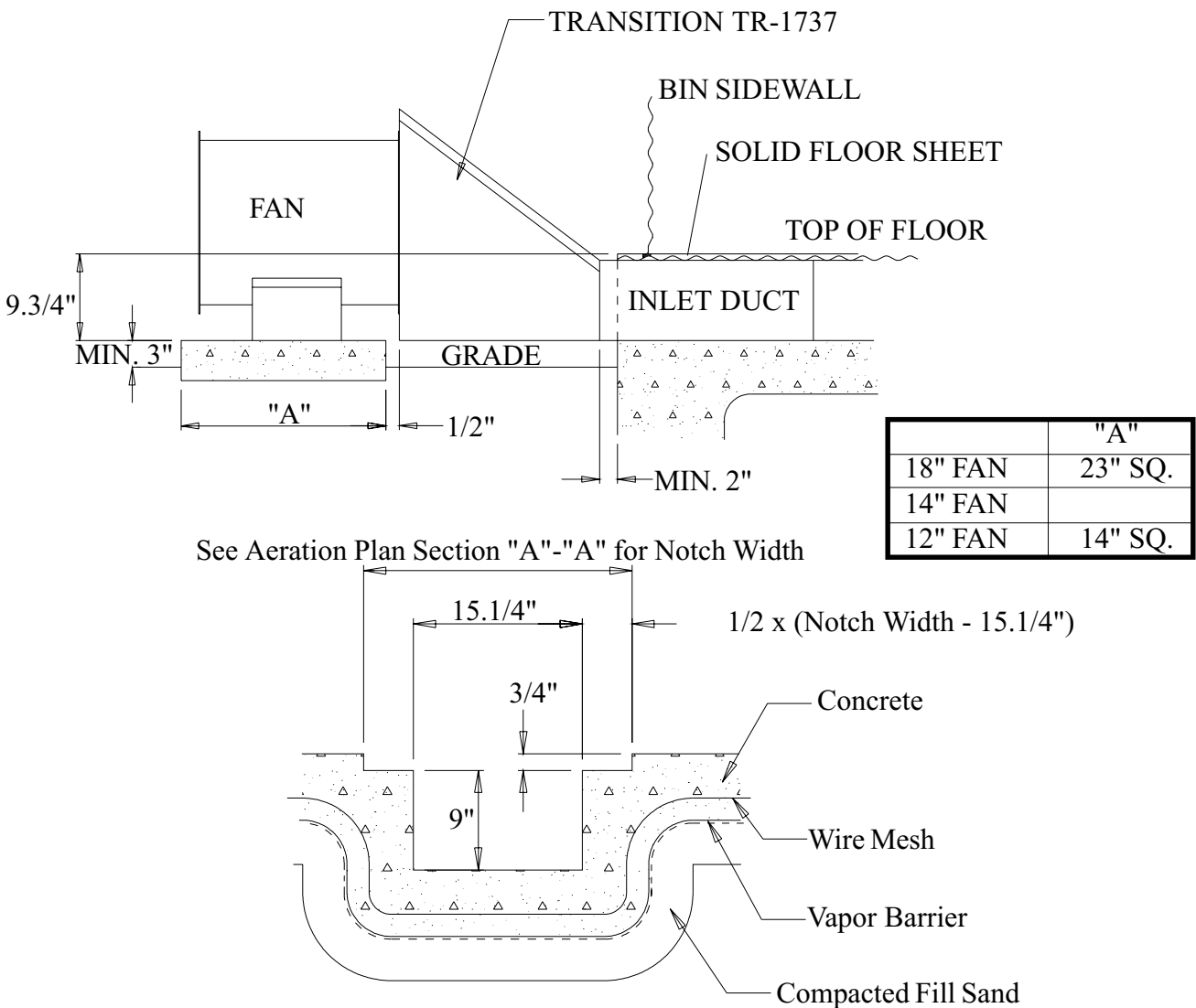
Notch foundation forms as needed to properly locate transition assembly. The transition and inlet duct must be fastened down to resist uplift forces from wet concrete.

NOTE: Notch for floor planks over inlet duct must match aeration system plan.  
Trench depth beyond duct must also match aeration system plan.

Complete form work for aeration system, place rebar and pour concrete.

Place floor supports and planks per Aeration System Plan.

Install flashing using self-drilling screws into floor planks and ram-sets (not by GSI) into concrete.



# FORM DETAILS USING COR-LOK/CUT-LOK FLOOR SECTIONS

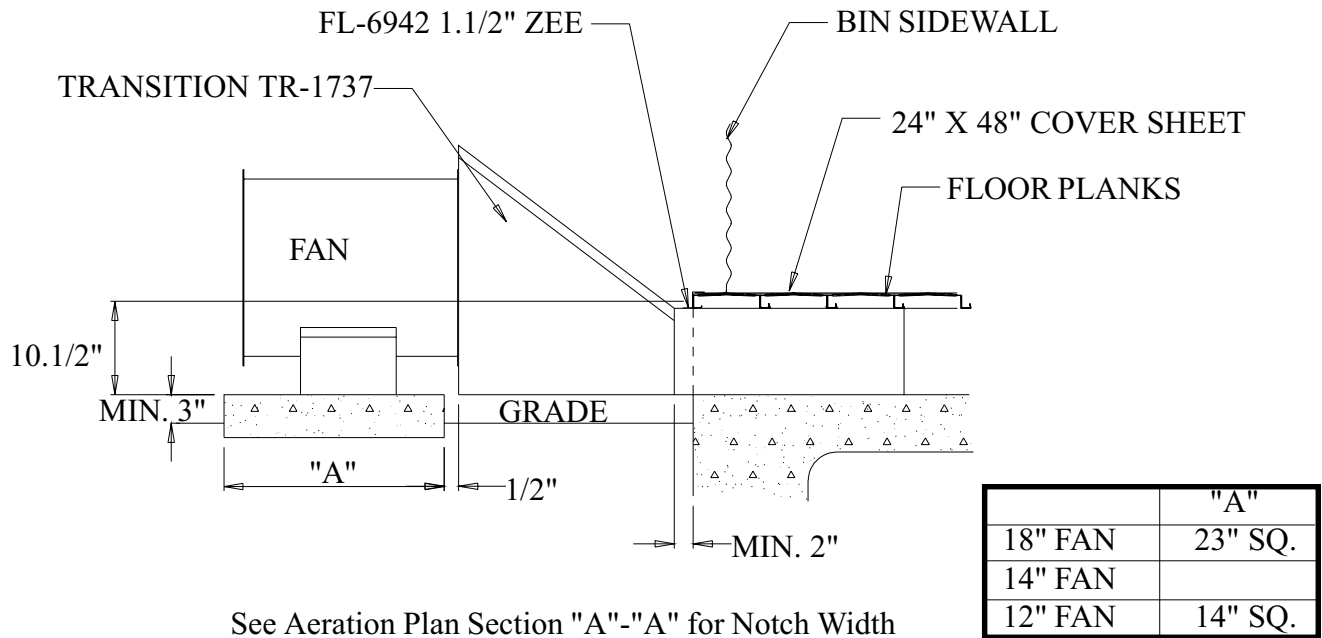
Notch foundation forms as needed to properly locate transition assembly. The transition and inlet duct must be fastened down to resist uplift forces from wet concrete.

NOTE: Notch for floor planks over inlet duct must match aeration system plan.  
Trench depth beyond duct must also match aeration system plan.

Complete form work for aeration system, place rebar and pour concrete.

Place floor supports and planks per Aeration System Plan.

Install flashing using self-drilling screws into floor planks and ram-sets (not by GSI) into concrete.



See Aeration Plan Section "A"-"A" for Notch Width

