



Field Installation of Static Pressure Gauge (HH-1434)

1. Remove rear metal cover (3) of the thermostat housing. Metal cover is held in place by sealant, so remove the sealant at the edges and also around the thermometer stem.
2. Look for molded circle on the inside of the thermostat housing body. It will be located on the inside face where the thermostat switches are mounted.
3. Using a utility knife, cut around this circle until the plastic cut-out (1) can be removed. Test fit the static pressure gauge (2). If needed, remove more material until the gauge fits snugly in the hole. Fill any gaps with the sealant between the gauge and the housing if necessary.
4. Mount the gauge (2) and run the copper tube through the hole (4) where indicated is shown in [Figure 1](#). This copper tube should be inserted into the plenum with the thermostat sensor.
5. Replace the rear metal cover (3) and seal with silicone sealant.

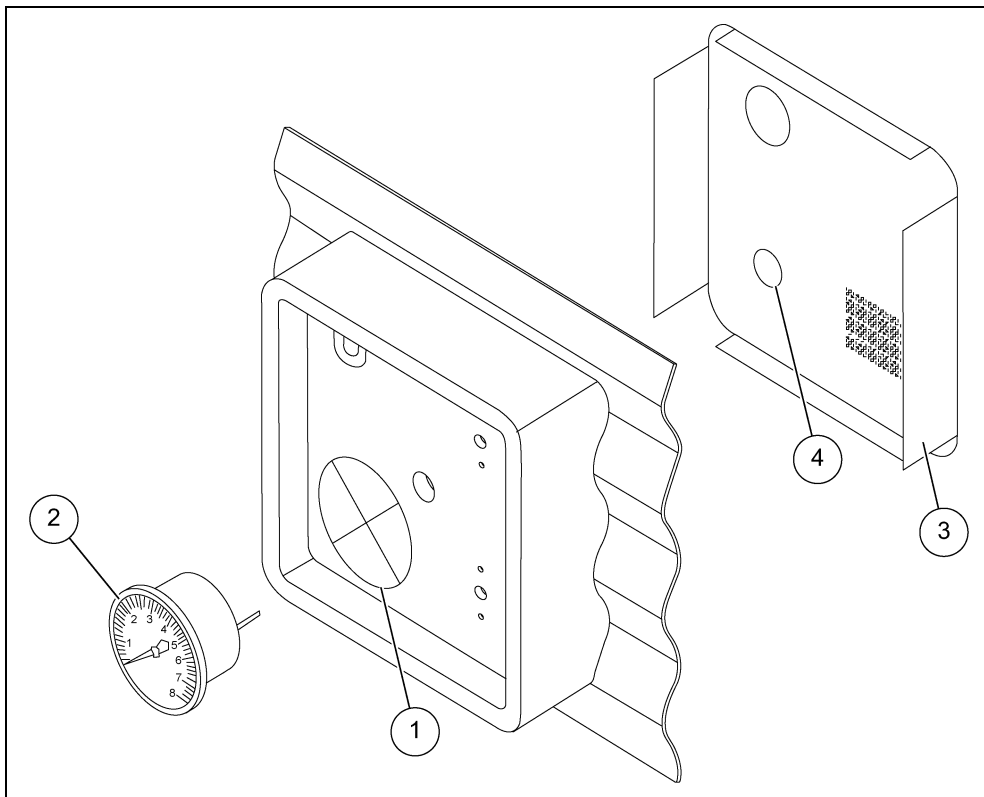


Figure 1

Ref #	Description
1	Cut-Out Location
2	Static Pressure Gauge
3	Rear Metal Cover
4	Hole for Copper Tube from Gauge

