



1. Be sure and use caulking that is provided on all seams and corners throughout the assembly.
2. Bottom panel flanges should always be on the “outside” of the transition assembly. Refer to bottom panel flange detail in [Figure 1](#) for proper flange direction and assembly of individual flange type. Bolt bottom panel to all entrance collar braces and side entrance collar pieces. Be sure and use 5/16" x 1" bolts and nuts.
3. Install and bolt top entrance collar to entrance collar braces and side pieces. Bolt transition sides to bottom panel. After sides are complete, bolt top panel into position. Be sure and use 5/16" x 1" bolts and nuts on all pieces.
4. Field cut hole in bin sidewall 101" x 11-3/4" to allow transition to fit properly.
5. Install entrance collar mounting brackets (3) to transition on inside of bin. Be sure and use 5/16" x 1" bolts and nuts.
6. Using 5/16" x 1-1/4" bolts and nuts, install entrance collar mounting brackets (3) to bin sidewall. Installer must seal between bin sidewall and entrance collar mounting brackets (3). No sealer is provided.
7. After putting transition on bin, locate sizing angle (1) to curvature of bin, screw to top entrance collar and to bin sidewall. Use #10 x 1" screws.

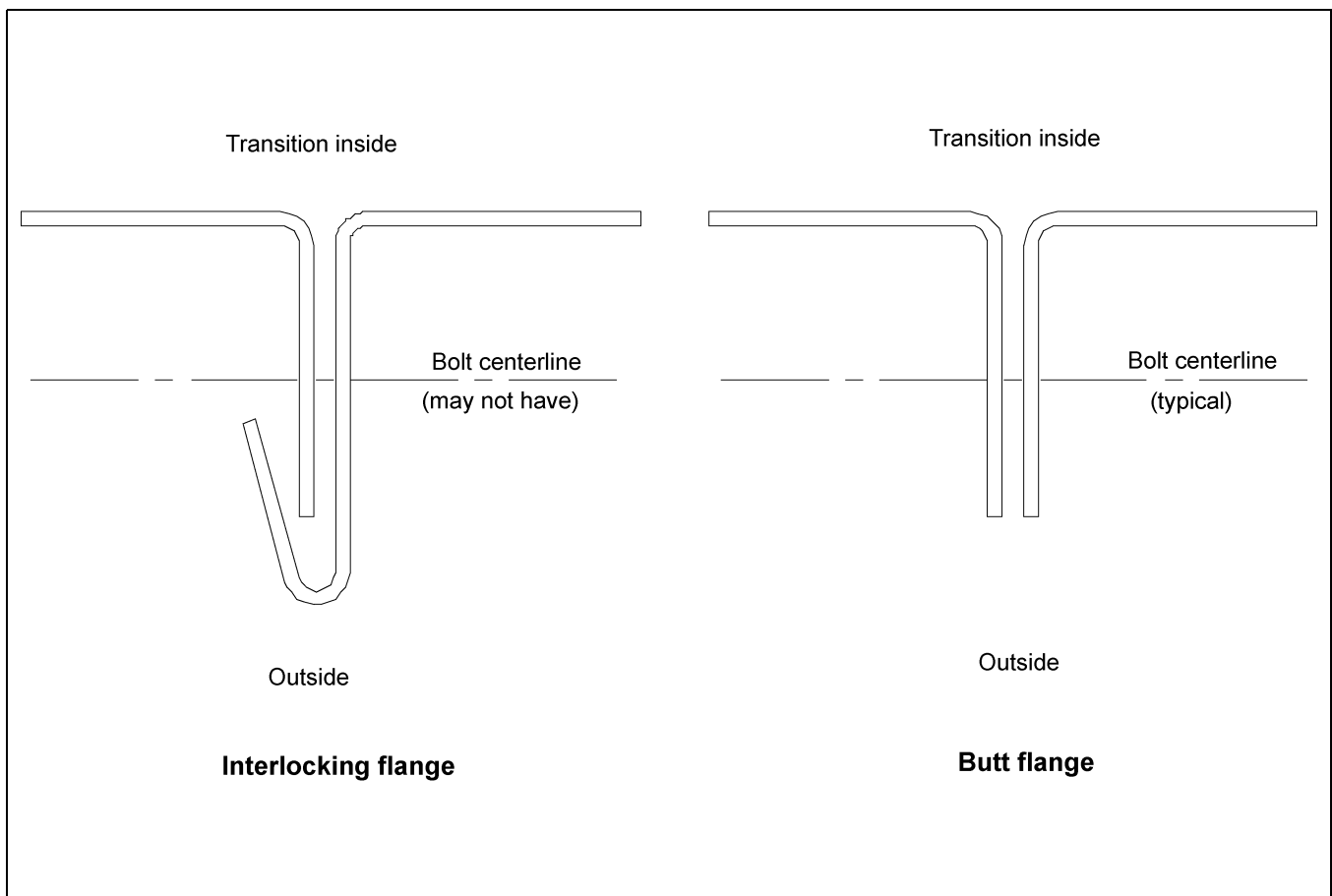
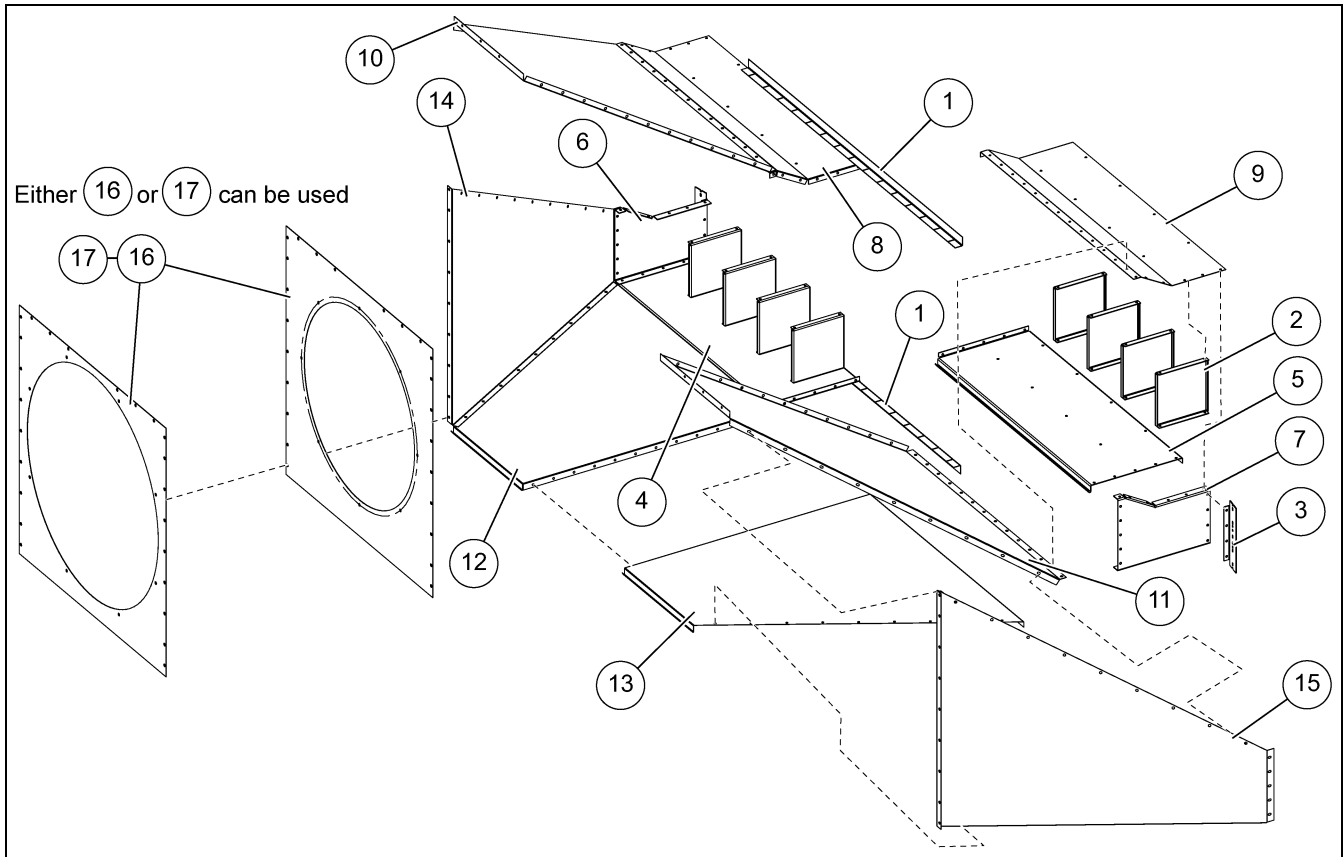


Figure 1 *Bottom Panel Flange Detail*



Installation of TR-7100

TR-7100 Parts List



Ref #	Part #	Description	Qty
1	TR-6194	Sizing Angle	2
2	TR-6312	Entrance Collar Brace	8
3	TR-6476	Entrance Collar Mounting Bracket	2
4	TR-7069	Entrance Collar Bottom, R.H. D.L.	1
5	TR-7070	Entrance Collar Bottom, L.H. D.I.	1
6	TR-7071	Entrance Collar, L.H. Panel D.I.	1
7	TR-7072	Entrance Collar R.H. Panel D.I.	1
8	TR-7073	Entrance Collar Top Left, D.I.	1
9	TR-7074	Entrance Collar Top Right, D.I.	1
10	TR-7092	Top Panel, L.H. 36" and 42"	1
11	TR-7093	Top Panel, R.H. 36" and 42"	1
12	TR-7094	Bottom Panel, L.H. 36" and 42"	1
13	TR-7095	Bottom Panel, R.H. 36" and 42"	1
14	TR-7096	Left Side Panel, 36" and 42"	1
15	TR-7097	Right Side Panel, 36" and 42"	1
16	TR-7098	Faceplate TR-7100/42" Axial	1
17	TR-7099	Faceplate TR-7100/36" Axial	1
N/S	S-4458	Sealant, Caulking 1/8" x 1/4" x 24'	4
	PL-8170	Hardware Package	1
N/S	S-10260	Flange Bolt 5/16"-18 x 1" JS500 Grade 8 or Grade 8.2 with Sealing Washer	198
N/S	S-7483	Flange Bolt 5/16"-18 x 1-1/4" JS500 Grade 8 or Grade 8.2 Full Threaded with Sealing Washer	10
N/S	S-396	Hex Nut 5/16"-18 YDP Grade 2	208
N/S	S-7621	Screw, SDS #10-16 x 1" HWH ZN Grade 2	46
N/S	S-7487	Flange Bolt 3/8"-16 x 1" JS500 Grade 8 or Grade 8.2	15
N/S	S-456	Hex Nut 3/8"-16 YDP Grade 5	15