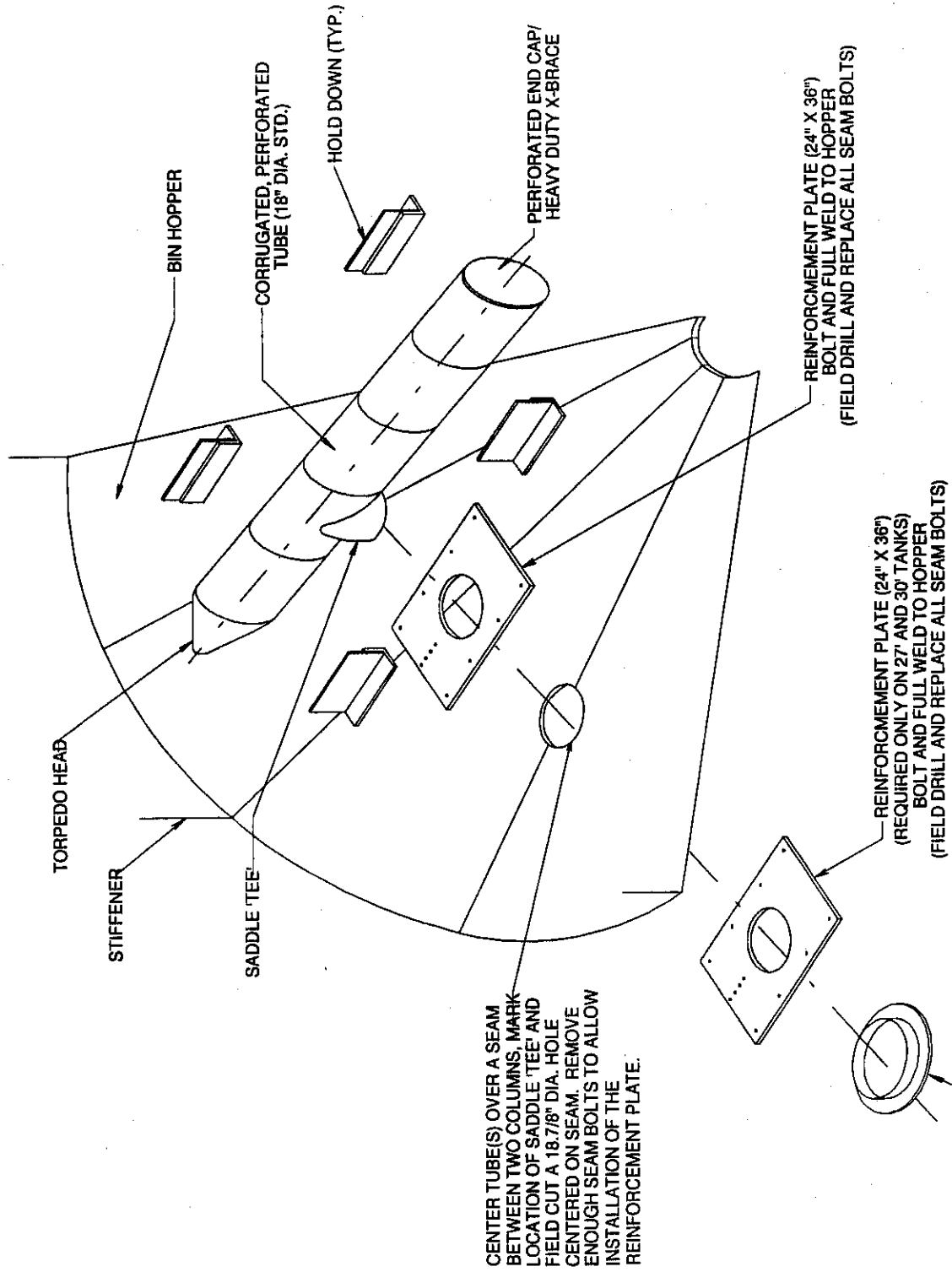


AERATION PACKAGE (OPTIONAL)

- Step 1. Using reinforcing plate as a template, mark hole in hopper for cutting.
- Step 2. Using a torch or saw, cut the hole in hopper sheets for tube.
- Step 3. Remove enough bolts from hopper seam to allow reinforcing plate to set down on hopper panels.
- Step 4. Install reinforcing plate on inside of hopper (and outside for 27' and 30' tanks). Full weld and field drill holes and bolt in place. Drill holes through reinforcing plate where it overlaps holes in seam and reinstall bolts.
- Step 5. Install torpedo head at open end of tube and screw in place as shown. (screws not included)
- Step 6. Four angles with corrugated pieces welded on them are supplied for each tube (two per side). Bolt or weld each angle to the hopper sheet and screw or weld the corrugated material to the perforated tube (#14 x 1" self drilling (tek screws not provided)).
- Step 7. Full weld inside and outside around perimeter of aeration tube saddle 'tee'.
- Step 8. Bolt or weld on angle ring for attachment of fan.
- Step 9. Touch up any welded areas with a rust inhibitive type paint.

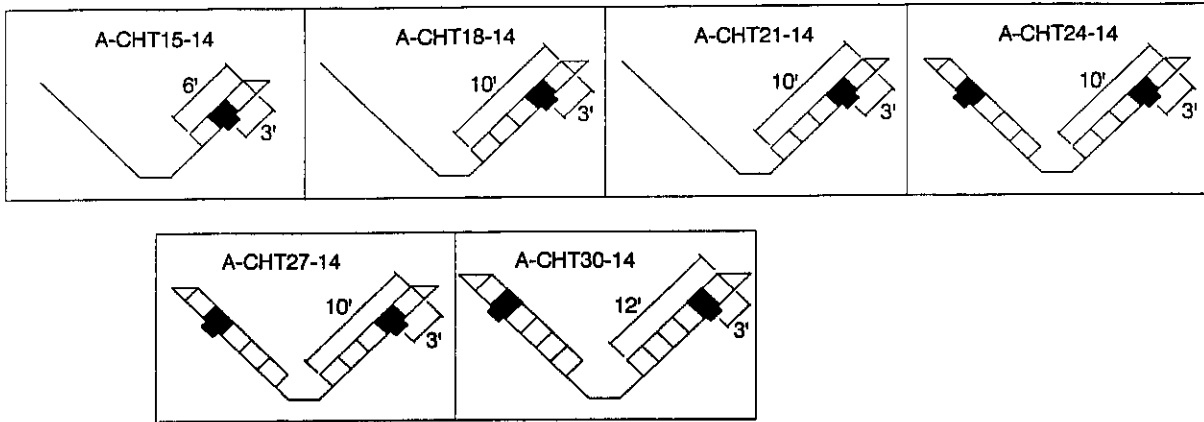
NOTE: When 2 tubes are installed, 2nd tube is to be installed 180 degrees from 1st tube.

AERATION PACKAGE (CONTINUED)

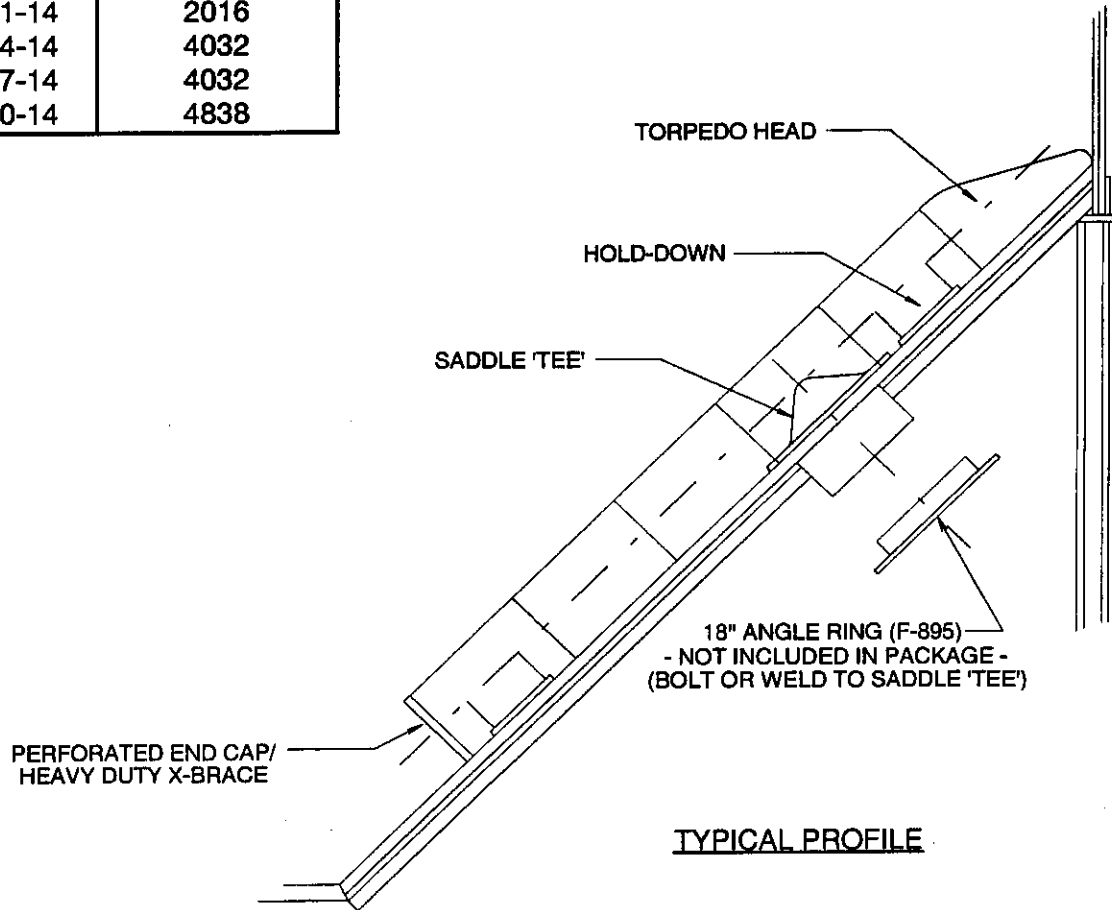


TYPICAL INSTALLATION

AERATION PACKAGE (CONTINUED)



SYSTEM	AIRFLOW RATING (CFM)
A-CHT15-14	1209
A-CHT18-14	2016
A-CHT21-14	2016
A-CHT24-14	4032
A-CHT27-14	4032
A-CHT30-14	4838



AERATION PACKAGE (CONTINUED)

