



Bin Preparation

1. Field cut a hole in the bottom ring of your bin to 100" x 15-1/4". The base angle ring must also be removed from this area.
2. Mastic sealer is to be used on all bolt together seams. Use 5/16" x 1-1/4" bolts to bolt entrance collar mounting bracket (7) to bin. For all other bolt up use 5/16" x 1" bolts.

Entrance Collar Assembly

1. Bolt together all right hand and left hand parts, i.e. entrance collar top, right hand (2) to left hand (3).
2. Bolt the entrance collar braces (8) and the entrance collar sides (6) to the entrance collar bottom (4 and 5) as shown [on Page 2](#).
3. Put in place the entrance collar top (2 and 3) as shown [on Page 2](#). **NOTE:** *Do not bolt up holes on the fan side of the collar until the transition top panel is installed.*
4. Bolt the entrance collar mounting bracket (7) to the entrance collar side (6). Slide the entrance collar assembly into the cut-out in the bin. Field drill eight holes in the bin for the entrance collar mounting bracket. Bolt up the entrance collar mounting bracket to the bin. If there is a gap between the entrance collar top and the cut-out in the bin, place shims above each brace.
5. Field drill holes in the sizing angles (1) and the entrance collar top (2 and 3) and use self-tapping screws.

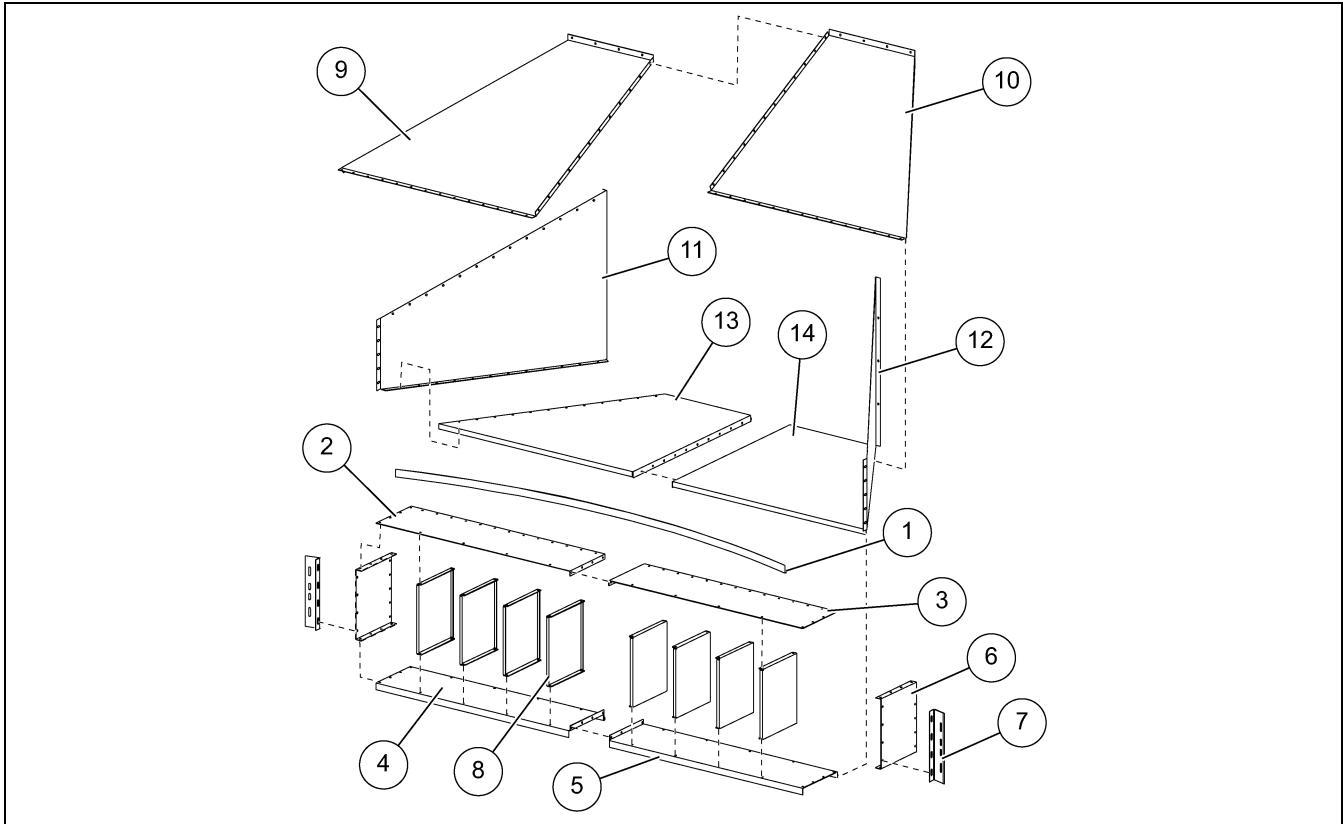
Final Assembly

1. Place the flange of the bottom panels (13 and 14) into the groove of the entrance collar bottom (4 and 5).
2. Bolt transition side panels (11 and 12) to bottom panels (13 and 14) and to entrance collar sides (6) as shown [on Page 2](#).
3. Bolt transition top panels (9 and 10) to the transition side panels (11 and 12) and to the entrance collar top (2 and 3) as shown [on Page 2](#).



Large Double Inlet Transition for 17" Floor (TR-6853)

Transition for Double Inlet Centrifugal Fans



| Ref # | Part # | Description | Qty |
|-------|----------------|--|----------|
| 1 | TR-6194 | Sizing Angle | 2 |
| 2 | TR-7004 | Entrance Collar Top, Right Hand | 1 |
| 3 | TR-7005 | Entrance Collar Top, Left Hand | 1 |
| 4 | TR-7006 | Entrance Collar Bottom, Right Hand | 1 |
| 5 | TR-7007 | Entrance Collar Bottom, Left Hand | 1 |
| 6 | TR-7003 | Entrance Collar Side | 2 |
| 7 | TR-7009 | Entrance Collar Mounting Bracket | 2 |
| 8 | TR-7008 | Entrance Collar Brace | 8 |
| 9 | TR-7001 | Transition Top Panel, Right Hand | 1 |
| 10 | TR-7002 | Transition Top Panel, Left Hand | 1 |
| 11 | TR-6999 | Transition Side Panel, Right Hand | 1 |
| 12 | TR-7000 | Transition Side Panel, Left Hand | 1 |
| 13 | TR-6997 | Transition Bottom Panel, Right Hand | 1 |
| 14 | TR-6998 | Transition Bottom Panel, Left Hand | 1 |
| N/S | S-4485 | Mastic Sealer | 4 |
| | PL-6929 | Hardware Package | 1 |
| N/S | S-10260 | Flange Bolt 5/16"-18 x 1" JS500 Grade 8 or Grade 8.2 with Sealing Washer | 185 |
| N/S | S-396 | Hex Nut 5/16"-18 YDP Grade 2 | 195 |
| N/S | S-7621 | Screw, SDS #10-16 x 1" HWH ZN Grade 2 | 46 |
| N/S | S-7483 | Flange Bolt 5/16"-18 x 1-1/4" JS500 Grade 8 or Grade 8.2 Full Threaded with Sealing Washer | 10 |